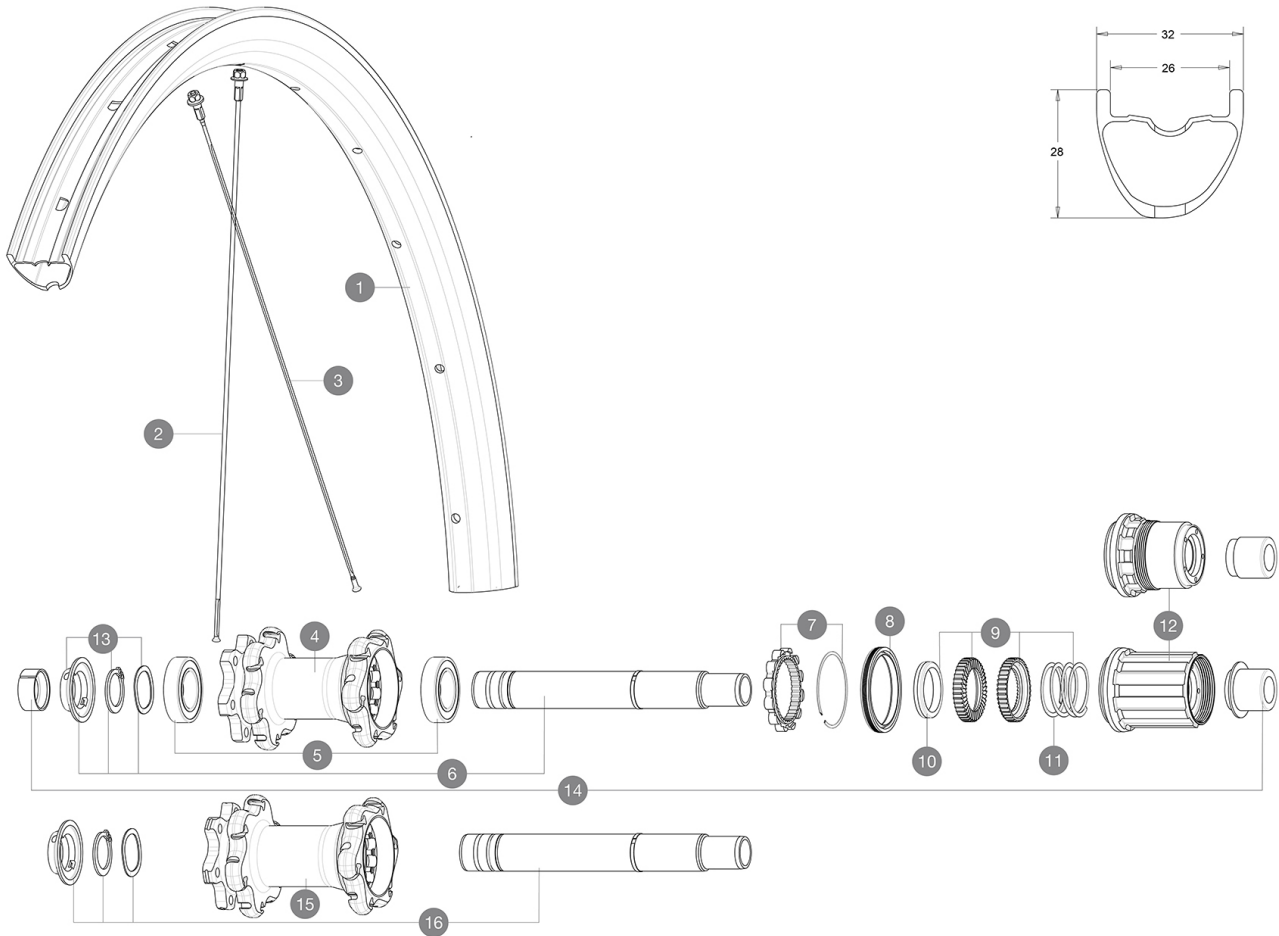


**MAVIC** XA Pro Carbon

ASTM CATEGORY 3 : CROSS COUNTRY AND TRAIL RIDING

For a longer longevity of the wheel, Mavic recommends that the total weight supported by the wheels don't exceed 120kg, bike included

Recommended tyre sizes: 46mm to 64mm (1.8" to 2.5")

**REFERENCES WHEELS****RIMS**

&amp;nbsp;:

<b>1</b>	V3050113	KIT REAR RIM XA PRO CARBON 27,5"
	V3750101	35mm UST Green Tape for 30mm wide rims

**SPOKES**

	V2387701	KIT 12 FRT/REAR XA PRO CARBON 27,5" EXTRA FLAT SPOKE 269mm
--	----------	--

**HUB SHELLS**


<b>4</b>	N/A	HUB BODY
<b>5</b>	M40076	HUB BEARINGS 17x30x7 6903 x 2
<b>6</b>	V2372101	KIT ID360 135/142 D6T AXLE WITH CLIP
<b>7</b>	V2252701	KIT ID360 INSERT SHAPED EAR LOBE > 2017
<b>8</b>	V2251601	KIT ID360 SEAL + GREASE
<b>9</b>	V2375201	KIT ID360 24 TEETH 2 RATCHET + MTB SPRING + PAD (specific)
<b>10</b>	V2375401	KIT ID360 MTB 24T 3 NOISE REDUCING PADS
<b>11</b>	V2372901	KIT 3 ID360 MTB SPRINGS
<b>12</b>	V3780101	HG9 Alloy MTB Freewheel Body ID360
<b>12</b>	V3740101	XD MTB Freewheel Body ID360
<b>13</b>	V2373001	KIT ADJUST. SYSTEM QRM AUTO ID360 for 17x30x7 bearing
<b>15</b>	N/A	HUB BODY
<b>16</b>	V2372201	KIT ID360 148 D6T AXLE WITH CLIP

**ADAPTERS**

<b>14</b>	V2510701	ID360V2RrAxleAdapt12x142/148
	V2510801	ID360 V2 RrAxleAdapt9x135

# MAVIC XA Pro Carbon

## DELIVERED WITH

UST valve and accessories (129 838 01)	
Tubeless rim tape	
Multifunction adjustment wrench (325 423 01)	
User guide	

## COMPATIBILITY

Freewheel: Shimano/Sram or XD	
Front axle: convertible from 15mm thru axle to Quick Release with adapters (delivered with non-boost wheel)	
Rear axle: 12mm thru axle, convertible to Quick Release with adapters (delivered with non-boost wheel)	
Freewheel: Shimano Micro Spline	

## Specifications

### RIMS

- **Material** : 100% Unidirectional carbon fiber
- **Drilling** : traditional
- **Valve hole diameter** : 6.5 mm
- **Tyre** : UST Tubeless and tubetype
- **Internal width** : 26 mm
- **ETRTO size 27.5"** : 584x26TSS
- **ETRTO size 29"** : 622x26TSS

Hookless profile

Use with Mavic Tubeless Tape

### SPOKES

- **Material** : steel
- **Shape** : straight pull, flat, double butted
- **Count** : 24 front and rear
- **Lacing** : front and rear crossed 2

### WHEEL HUB

- **Front and rear bodies** : aluminum
  - **Axle material** : aluminum
- Auto adjust sealed cartridge bearings (QRم Auto), front and rear
- **Freewheel** : Instant Drive 360

### VERSIONS

- **Disc standard** : 6 Bolts only
- **Hub width** : Boost (front 110, rear 148) or Non-Boost (front 100, rear 135/142)
- **Freewheel** : Shimano/Sram or XD

### WHEEL WEIGHTS

Weight Rear 27.5": 803  
Weight Rear 29": 838