

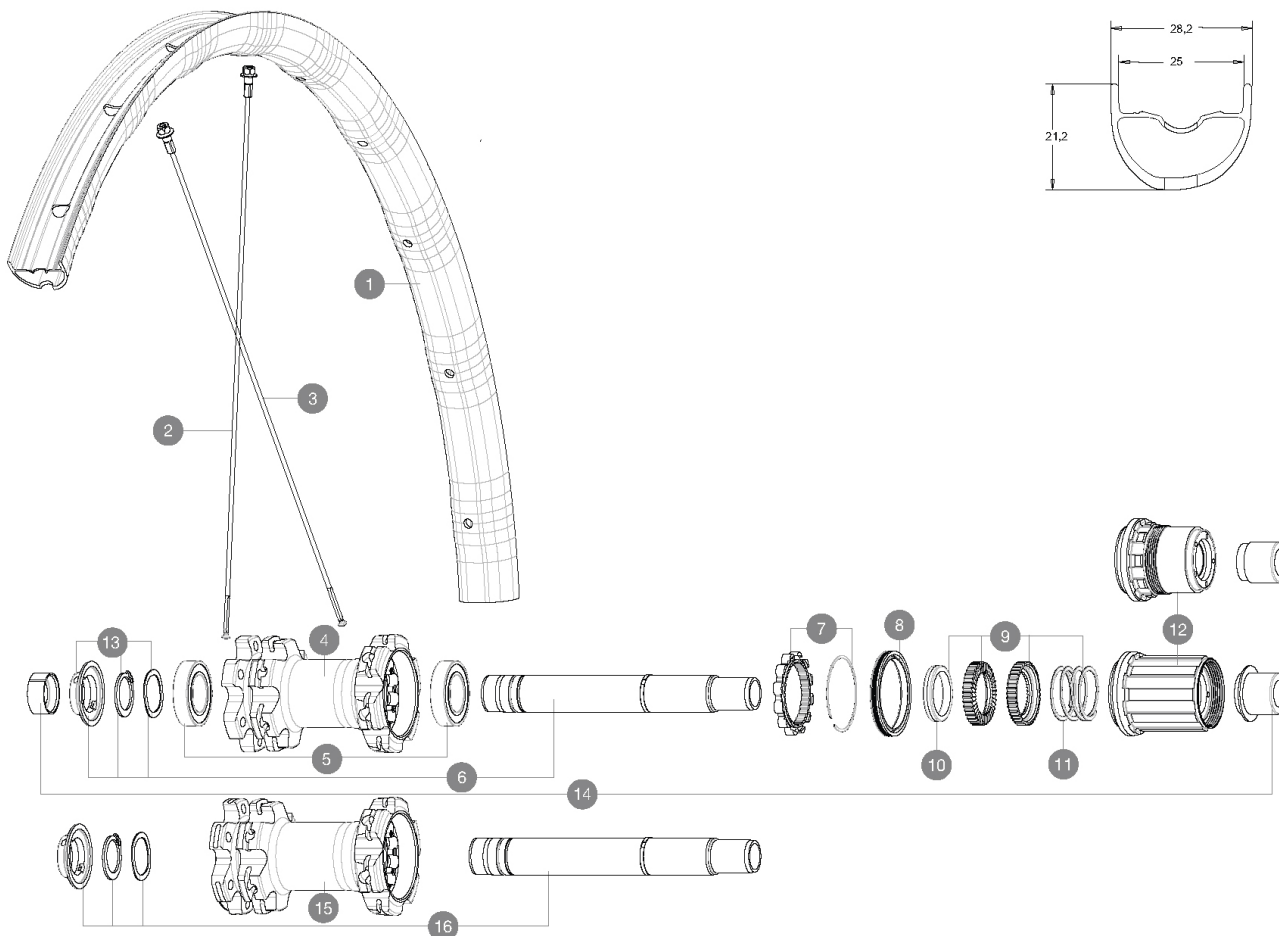
## ASTM CATEGORY 3 : CROSS COUNTRY AND TRAIL RIDING

For a longer longevity of the wheel, Mavic recommends that the total weight supported by the wheels don't exceed 120kg, bike included

Recommended tyre sizes: 46mm to 64mm (1.8" to 2.5")

## REFERENCES WHEELS

|        |                           |        |                              |
|--------|---------------------------|--------|------------------------------|
| R27581 | XA Elite 27,5 19 Rr XD    | R27611 | XA Elite 27,5 19 Rr Boost XD |
| R27591 | XA Elite 27,5 19 Rr Boost | R27571 | XA Elite 27,5 19 Rr          |



## RIMS



&NBSP;:

|   |          |  |
|---|----------|--|
| 1 | V3760615 | KIT FRT/REAR RIM XA ELITE 19 27,5"     |
|   | V2700101 | UST Tape 28mm for 25 to 27mm wide rims |

## SPOKES

|   |          |   |
|---|----------|---|
| 2 | V2382401 | KIT 12 FT/NDS XRIDE + FTSX/NDS XMAX EL/XA EL 27,5" SPK 279m |
| 3 | 36689301 | "KIT 12 DS CROSSROC/XRIDE UST/XMAX ELITE/XA ELITE 27,5" SPK |



## HUB SHELLS

|    |          |  |
|----|----------|--|
| 4  | N/A      | HUB BODY   |
| 5  | M40076   | HUB BEARINGS 17x30x7 6903 x 2                              |
| 6  | V2372101 | KIT ID360 135/142 D6T AXLE WITH CLIP                       |
| 7  | V2252701 | KIT ID360 INSERT SHAPED EAR LOBE > 2017                    |
| 8  | V2251601 | KIT ID360 SEAL + GREASE                                    |
| 9  | V2375201 | KIT ID360 24 TEETH 2 RATCHET + MTB SPRING + PAD (specific) |
| 10 | V2375401 | KIT ID360 MTB 24T 3 NOISE REDUCING PADS                    |
| 11 | V2372901 | KIT 3 ID360 MTB SPRINGS                                    |
| 12 | V3740101 | XD MTB Freewheel Body ID360                                |
| 12 | V3780101 | HG9 Alloy MTB Freewheel Body ID360                         |
| 13 | V2373001 | KIT ADJUST. SYSTEM QRM AUTO ID360 for 17x30x7 bearing      |
| 15 | N/A      | HUB BODY   |
| 16 | V2372201 | KIT ID360 148 D6T AXLE WITH CLIP                           |

## ADAPTERS

|    |          |                              |
|----|----------|------------------------------|
| 14 | V2510701 | ID360V2RrAxleAdapt12x142/148 |
|    | V2510801 | ID360 V2 RrAxleAdapt9x135    |

## DELIVERED WITH

|   |   |
|---|---|
| Front QR adapters (non-boost wheel)       |   |
| Front QR adapters (non-boost wheel)       |   |
| Rear QR adapters (non-boost wheel)        |   |
| Rear QR adapters (non-boost wheel)        |   |
| UST valve and accessories<br>(129 838 01) |  |
| UST valve and accessories<br>(129 838 01) |  |
| Tubeless rim tape                         |   |
| Tubeless rim tape                         |   |

## COMPATIBILITY

|   |  |
|---|--|
| Freewheel: Shimano/Sram or XD   |  |
| Freewheel: Shimano/Sram or XD   |  |
| Front axle: convertible from 15mm thru axle to Quick Release with adapters (delivered with non-boost wheel) |  |
| Front axle: convertible from 15mm thru axle to Quick Release with adapters (delivered with non-boost wheel) |  |
| Rear axle: 12mm thru axle, convertible to Quick Release with adapters (delivered with non-boost wheel)      |  |
| Rear axle: 12mm thru axle, convertible to Quick Release with adapters (delivered with non-boost wheel)      |  |
| Freewheel: Shimano Micro Spline   |  |
| Freewheel: Shimano Micro Spline   |  |

## Specifications

### RIMS

- **Material** : Mxstal
- **Material** : Mxstal
- **Joint** : SUP
- **Joint** : SUP
- **Drilling** : traditional
- **Drilling** : traditional
- **Weight reduction** : ISM 4D
- **Weight reduction** : ISM 4D
- **Valve hole diameter** : 6.5 mm
- **Valve hole diameter** : 6.5 mm
- **Tyre** : UST Tubeless and tubetype
- **Tyre** : UST Tubeless and tubetype
- **Internal width** : 25 mm
- **Internal width** : 25 mm
- **ETRTO size 27.5"** : 584x25TSS
- **ETRTO size 27.5"** : 584x25TSS
- **ETRTO size 29"** : 622x25TSS
- **ETRTO size 29"** : 622x25TSS

Hookless profile

Hookless profile

Use with Mavic Tubeless Tape

Use with Mavic Tubeless Tape

### SPOKES

- **Material** : steel
- **Material** : steel
- **Shape** : straight pull, flat, double butted
- **Shape** : straight pull, flat, double butted
- **Count** : 24 front and rear
- **Count** : 24 front and rear
- **Lacing** : front and rear crossed 2
- **Lacing** : front and rear crossed 2

### WHEEL HUB

- **Front and rear bodies** : aluminum
  - **Front and rear bodies** : aluminum
  - **Axle material** : aluminum
  - **Axle material** : aluminum
- Auto adjust sealed cartridge bearings (QRM Auto), front and rear
- Auto adjust sealed cartridge bearings (QRM Auto), front and rear
- **Freewheel** : Instant Drive 360
  - **Freewheel** : Instant Drive 360

### VERSIONS

- **Color** : Black only
- **Disc standard** : 6 Bolts only
- **Disc standard** : 6 Bolts only
- **Hub width** : Boost (front 110, rear 148) or Non-Boost (front 100, rear 135/142)
- **Hub width** : Boost (front 110, rear 148) or Non-Boost (front 100, rear 135/142)

### WHEEL WEIGHTS

Weight Rear 27.5": 910

Weight Rear 29": 955