

ASTM CATEGORY 4 : ENDURO AND TRAIL RIDING

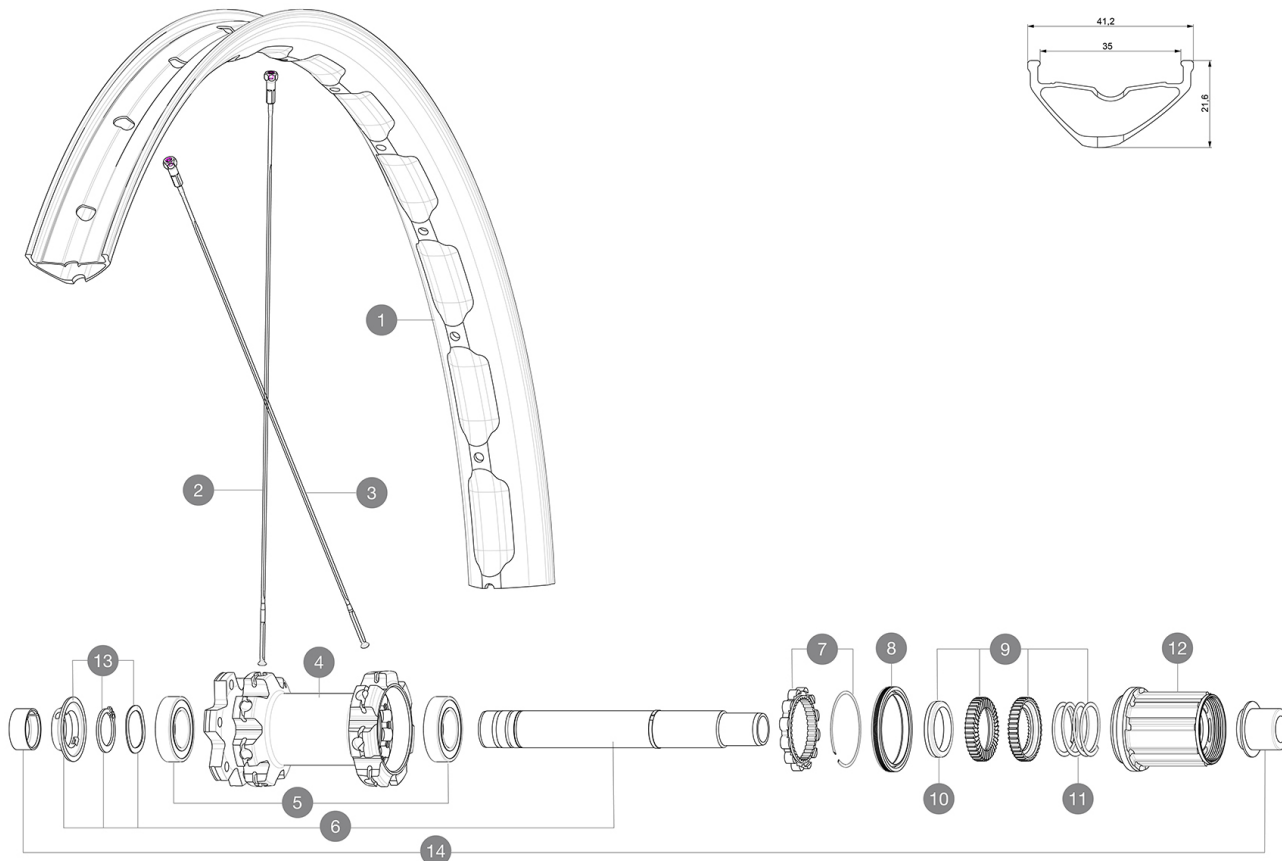
For a longer longevity of the wheel, Mavic recommends that the total weight supported by the wheels don't exceed 150kg, bike included

Recommended tyre sizes: 65mm to 81mm (2.5" to 3.2")

## REFERENCES WHEELS

R32891 E-XA35 Elite 27,5 Rr Boost XD

R32871 E-XA35 Elite 27,5 Rr Boost



## RIMS



&NBSP;:

|   |                              |   |
|---|------------------------------|---|
| 1 | janteavarvttdisc<br>V3710101 | FRONT/REAR MTB DISC RIM<br>40mm UST Tape For 35mm Wide Rims |
|---|------------------------------|---|

## SPOKES

|   |          |   |
|---|----------|---|
| 2 | V3820901 | KIT 14 NDS DEEMAX ELITE/E-XA ELITE 19 27,5" FLAT BUTTED SPO |
| 3 | V3821001 | KIT 14 DS DEEMAX ELITE/E-XA ELITE 19 27,5 FLAT BUTTED SPOKE |


## HUB SHELLS

|    |          |  |
|----|----------|--|
| 4  | N/A      | HUB BODY   |
| 5  | M40076   | HUB BEARINGS 17x30x7 6903 x 2                              |
| 6  | V2372201 | KIT ID360 148 D6T AXLE WITH CLIP                           |
| 7  | V2252701 | KIT ID360 INSERT SHAPED EAR LOBE > 2017                    |
| 8  | V2251601 | KIT ID360 SEAL + GREASE                                    |
| 9  | V2375201 | KIT ID360 24 TEETH 2 RATCHET + MTB SPRING + PAD (specific) |
| 10 | V2375401 | KIT ID360 MTB 24T 3 NOISE REDUCING PADS                    |
| 11 | V2372901 | KIT 3 ID360 MTB SPRINGS                                    |
| 12 | V3740101 | XD MTB Freewheel Body ID360                                |
| 12 | V3790101 | HG9 Steel MTB Freewheel Body ID360                         |
| 13 | V2373001 | KIT ADJUST. SYSTEM QRM AUTO ID360 for 17x30x7 bearing      |

## ADAPTERS

|    |          |                              |
|----|----------|------------------------------|
| 14 | V2510701 | ID360V2RrAxleAdapt12x142/148 |
|    | V2510801 | ID360 V2 RrAxleAdapt9x135    |

## DELIVERED WITH

|   |   |
|---|---|
| UST valve and accessories<br>(129 838 01)                       |  |
| Specific disc bolts<br>(308 719 01)                             |   |
| Tubeless rim tape   |   |
| Replacement spokes (2 with the front wheel and 4 with the rear) |   |

## COMPATIBILITY

|  |  |
|--|--|
| Freewheel: Shimano/Sram or XD  |  |
| Front axle: 15mm, convertible to 20mm thru axle with included adapters         |  |
| Rear axle: 12mm thru axle, convertible to Quick Release with optional adapters |  |
| Freewheel: Shimano Micro Spline  |  |

## Specifications

### RIMS

- **Material** : Mxxtal
  - **Joint** : SUP
  - **Drilling** : traditional
  - **Weight reduction** : ISM 4D
  - **Valve hole diameter** : 6.5 mm
  - **Tyre** : UST Tubeless and tubetype
  - **Internal width** : 35 mm
  - **ETRTO size 27.5"** : 584x35TC
- Use with Mavic Tubeless Tape

### SPOKES

- **Material** : steel
- **Shape** : straight pull, flat, double butted
- **Count** : 28 front and rear
- **Lacing** : front and rear crossed 3

### WHEEL HUB

- **Front and rear bodies** : aluminum
  - **Axle material** : aluminum
- Auto adjust sealed cartridge bearings (QR Auto), front and rear
- **Freewheel** : Instant Drive 360
  - **Freewheel** : Instant Drive 360 steel

### VERSIONS

- **Color** : Black only
- **Disc standard** : 6 Bolts only
- **Hub width** : Boost only (front 110, rear 148)
- **Freewheel** : Shimano/Sram or XD

### WHEEL WEIGHTS

1050