

MAVIC **CROSSMAX XL R 29**

ASTM CATEGORY 4 : ENDURO AND TRAIL RIDING

Maximum tyre pressure: 2.35bar/34PSI with a 52mm tyre - 1.25bar/18PSI with a 125mm tyre

For a longer longevity of the wheel, Mavic recommends that the total weight supported by the wheels doesn't exceed 150kg, bike included

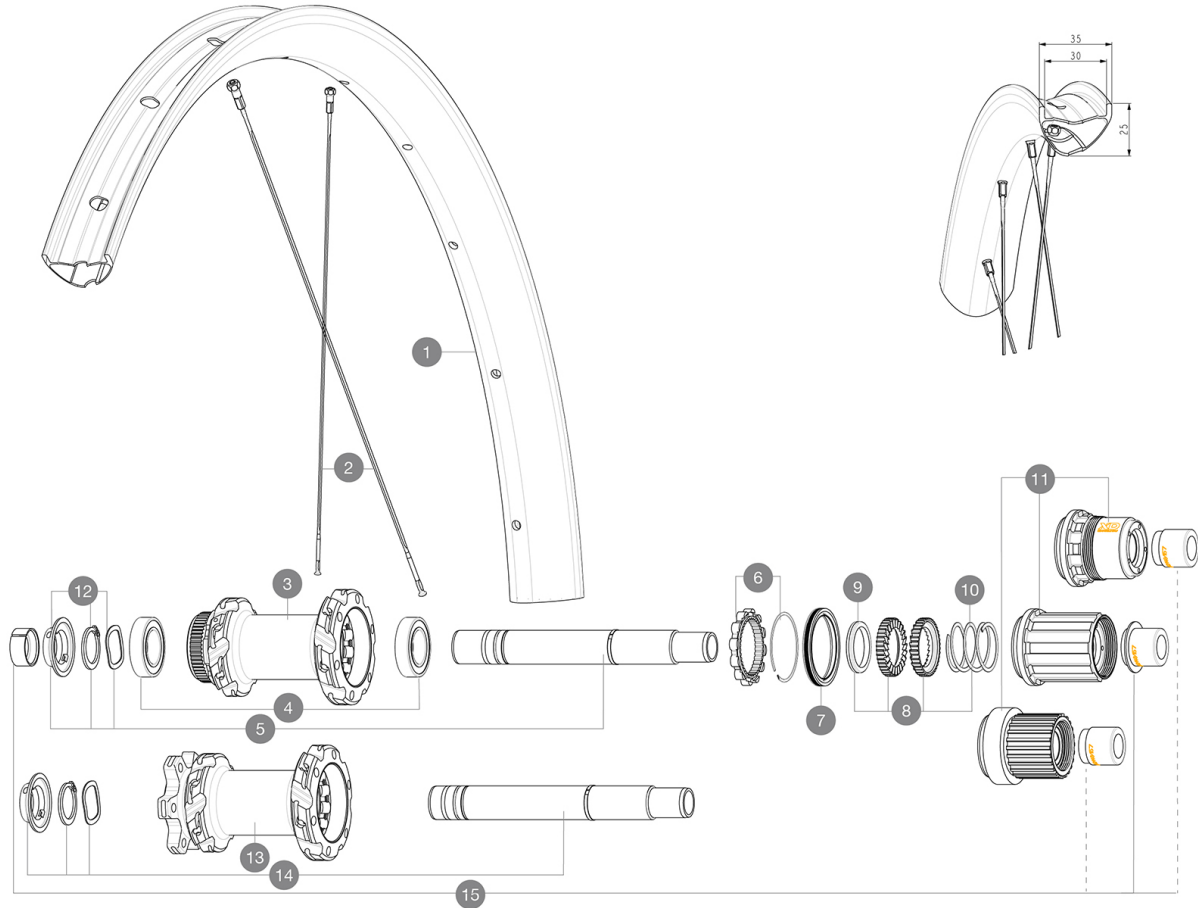
Minimum tyre size: width 52mm - pressure max. 2.35Bar/34PSI

Recommended tire sizes: 50mm to 76mm (2.0" to 3.0")

Non-Boost : 15 to 9mm front adapter for quick release ([99694101])

REFERENCES WHEELS

R41161	CROSSMAX XL R INT 29 BST HG	R41181	CROSSMAX XL R CL 29 BST MS
R41171	CROSSMAX XL R INT 29 BST XD		

**RIMS**

&NBSP;:

1	V00004931	Kit Front/Rear rim Crossmax XLR 29"
	V3750101	35mm UST Green Tape for 30mm wide rims

SPOKES

2	V00065231	Kit 12Fr/Rr MTBcarb29 ss spk293
2	V2389101	Kit 12Fr/Rr XmaxSL Ultimate spk293+np&w while stock lasts

HUB SHELLS

3	N/A	HUB BODY
4	M40076	HUB BEARINGS 17x30x7 6903 x 2
5	V2375701	Kit ID360 148 DCL axle with circlip
6	V2252701	KIT ID360 INSERT SHAPED EAR LOBE > 2017
7	V00063631	Kit ID360 seal version 2 (larger)
8	V2375201	KIT ID360 24 TEETH 2 RATCHET + MTB SPRING + PAD (specific)
9	V2375401	KIT ID360 MTB 24T 3 NOISE REDUCING PADS
10	V2372901	KIT 3 ID360 MTB SPRINGS
11	V3990101	MicroSpline MTB Freewheel Body ID360
11	V3780101	HG9 Alloy MTB Freewheel Body ID360
11	V3740101	XD MTB Freewheel Body ID360
12	V2373001	KIT ADJUST. SYSTEM QRM AUTO ID360 for 17x30x7 bearing
13	N/A	HUB BODY

14	V2372201	KIT ID360 148 D6T AXLE WITH CLIP
-----------	----------	----------------------------------

OPTIONS

8	V2372801	KIT ID360 2x40 TEETH RATCHETS + MTB SPRING + GREASE + PAD
----------	----------	---

ADAPTERS

15	V2510701	ID360V2RrAxleAdapt12x142/148
	V2510801	ID360 V2 RrAxleAdapt9x135

MAVIC CROSSMAX XL R 29

DELIVERED WITH

User guide	
UST valve and accessories (129 838 01)	
UST valve and accessories (129 838 01)	
Pre-installed tubeless rim tape	
Pre-installed tubeless rim tape	
Multifunction adjustment wrench (delivered with rear wheel) (325 423 01)	
User guide	
Pre-installed tubeless rim tape	
UST valve and accessories (129 838 01)	
2 replacement spokes with each wheel	
12 to 9mm rear adapter for quick release (V2510801)	
2 replacement spokes with each wheel	
2 replacement spokes with each wheel	

COMPATIBILITY

Front axle: 15x110 Boost thru axle	
Front axle: 15x110 Boost thru axle	
Freewheel body: convertible SHIMANO HG MTB steel (kit V3790101 sold separately)	
Freewheel body: convertible SHIMANO HG MTB steel (kit V3790101 sold separately)	
Boost 20 to 15mm front adapter ([12982801])	
Front axle: for fixing nuts only (included), M9x1 thread	
Rear axle adapters: 12x148 convertible to 9x141 (kit V2510801 sold separately)	
Rear axle adapters: 12x148 convertible to 9x141 (kit V2510801 sold separately)	
Boost Axles : 15X110 ; 12X148	
Rear axle: 12x148 Boost thru axle	
Front axle: 15x110 Boost thru axle	
Instant Drive 360 freewheel technology The new Instant Drive 360 freewheel system is super light and fast to engage with only 9Å°. A large contactless rubber seal provides low friction, while a wide array of end caps makes it super versatile.	
Front axle: for fixing nuts only (included), M9x1 thread	

Specifications

RIMS

- **Material** : 100% carbon fiber with UDÅ² external layer
 - **Material** : 100% carbon fiber with UDÅ² external layer
 - **Material** : 100% carbon fiber with UDÅ² external layer
 - **Height** : 25 mm
 - **Height** : 25 mm
 - **Drilling** : traditional
 - **Internal width** : 30 mm
 - **Internal width** : 30 mm
 - **Drilling** : traditional
 - **Drilling** : traditional
 - **Internal width** : 30 mm
- Disc brake specific profile
Disc brake specific profile
E-Bike specific rim profile

WHEEL HUB

- **Body** : aluminum
 - **Body** : aluminum
- Infinity hubs
Instant Drive 360 freewheel technology
QRM Auto bearing preload technology
Hub available with 6-bolt or Center LockÅ® brake rotors
- **Body design** : INFINITY
 - **Body design** : INFINITY
 - **Disc standard** : 6 Bolts or Center LockÅ®
 - **Disc standard** : 6 Bolts or Center LockÅ®
 - **Axle material** : aluminum
 - **Axle material** : aluminum
 - **Rear body** : aluminum
 - **Rear body** : aluminum
 - **Axles** : Front 15X110 (Boost) or 15x100 ; Rear 12X148 (Boost) or 12x142

WHEEL WEIGHTS

860