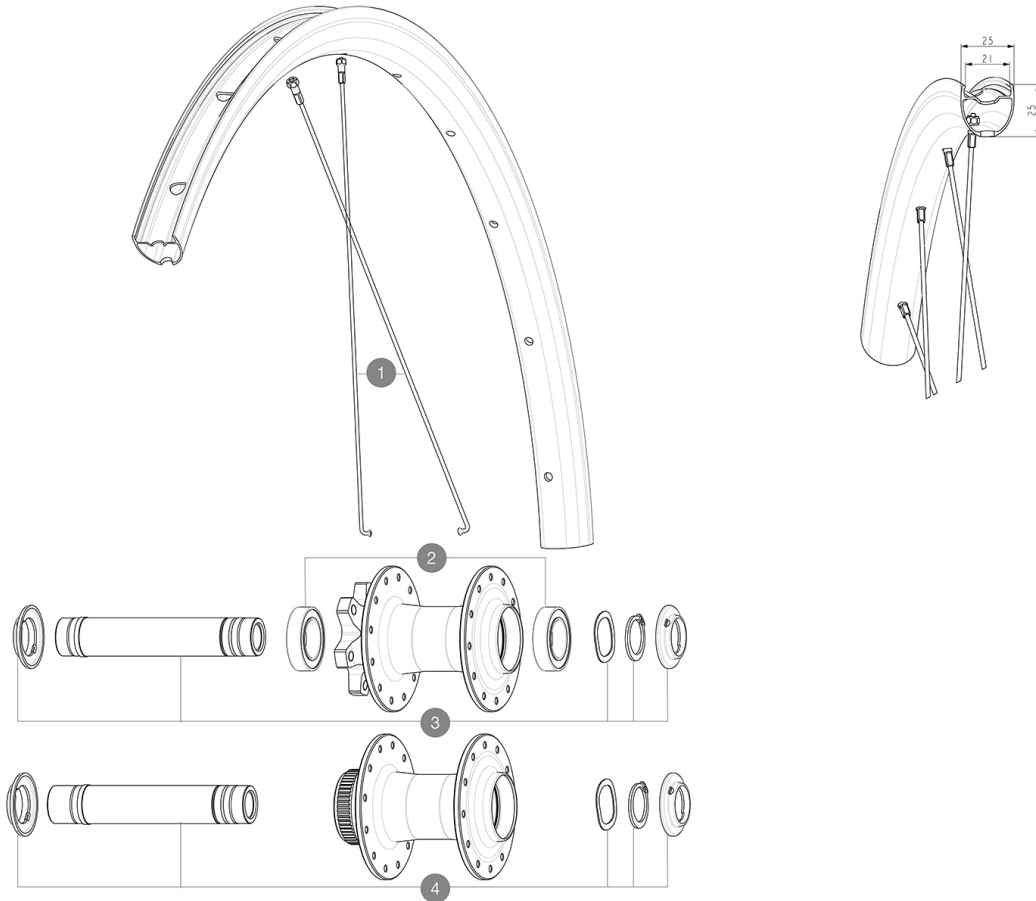


MAVIC AKSIUM 1 DISC

ASTM CATEGORY 2 : road and offroad with jumps less than 15cm
ID360 Shimano steel freewheel body (V3790101)

For a longer longevity of the wheel, Mavic recommends that the total weight supported by the wheels doesn't exceed 120kg, bike included
ID360 N3W freewheel body (V4270101)

REFERENCES WHEELS**SPOKES**

1	V00078331	Kit 12 front/rear Jbent black round spokes 286 + steel nippl
----------	-----------	--------------------------------------------------------------

HUB SHELLS

2	V2500901	KIT BEARINGS 18x30x7 + WAVED WASHER + CLIP
3	V2375501	Kit QRM auto front axle 100x12/15mm D6T
4	V2374001	Kit 12x100mm FRONT AXLE DCL QRM AUTO ALLROAD > 2019

ADAPTERS

V2680301	"Kit Ft Road Adapter 12 >> 9mm"
----------	---------------------------------

MAVIC AKSIUM 1 DISC

DELIVERED WITH

User guide	
Pre-installed tubeless rim tape	
User guide	
Pre-installed tubeless rim tape	

COMPATIBILITY

Freewheel body: convertible SHIMANO HG light road (kit V3850101 sold separately)	
Freewheel body: convertible SHIMANO HG light road (kit V3850101 sold separately)	
Freewheel body: convertible SHIMANO MS (kit V3990101 sold separately)	
Freewheel body: convertible SHIMANO MS (kit V3990101 sold separately)	
Freewheel body: convertible CAMPAGNOLO ED (kit V3440101 sold separately)	
Freewheel body: convertible CAMPAGNOLO ED (kit V3440101 sold separately)	
Freewheel body: convertible CAMPAGNOLO N3W (kit V4270101 sold separately)	
Freewheel body: convertible CAMPAGNOLO N3W (kit V4270101 sold separately)	
Rear axle: 12mm thru axle, convertible to Quick Release with adapters (delivered with non-boost wheel)	
FTS-L Shimano / Sram freewheel body ([30871101] - Delivered on the wheel)	
ID360 Shimano steel freewheel body ([V3790101])	
ID360 N3W freewheel body ([V4270101])	

Specifications

RIMS

- **Material** : S6000 Aluminum
- **Material** : S6000 Aluminum
- **Height** : 21 mm
- **Height** : 21 mm
- **Joint** : sleeved
- **Joint** : sleeved
- **Internal width** : 21 mm
- **Internal width** : 21 mm
- **Drilling** : traditional
- **Drilling** : traditional
- Disc brake specific profile
- Disc brake specific profile
- **ETRTO size** : 622x21TC
- **ETRTO size** : 622x21TC
- **Tire** : clincher
- **Tire** : clincher

SPOKES

- **Material** : steel
- **Material** : steel
- **Count** : 20 front and rear
- **Count** : 20 front and rear

Rear axle: 12mm thru axle, convertible to Quick Release with adapters (delivered with non-boost

WHEEL HUB

- **Body** : aluminum
- **Body** : aluminum
- **Body design** : CLASSIC
- **Body design** : CLASSIC
- **Disc standard** : Center Lock[®] only
- **Disc standard** : Center Lock[®] only
- **Axle material** : aluminum
- **Axle material** : aluminum
- **Axle size** : front 12x100 / rear 12x142 - Convertible to quick release with included adapters
- **Axle size** : front 12x100 / rear 12x142 - Convertible to quick release with included adapters
- **Axles** : Front 15x110 (Boost) or 15x100 ; Rear 12x148 (Boost) or 12x142
- **Axles** : Front 15x110 (Boost) or 15x100 ; Rear 12x148 (Boost) or 12x142
- **Freewheel** : Shimano HG road / Sram XD road
- **Freewheel** : Shimano HG road / Sram XD road
- **Freewheel** : FTS-L steel
- **Freewheel** : FTS-L steel

VERSIONS

- **Freewheel** : Shimano/Sram

WHEEL WEIGHTS