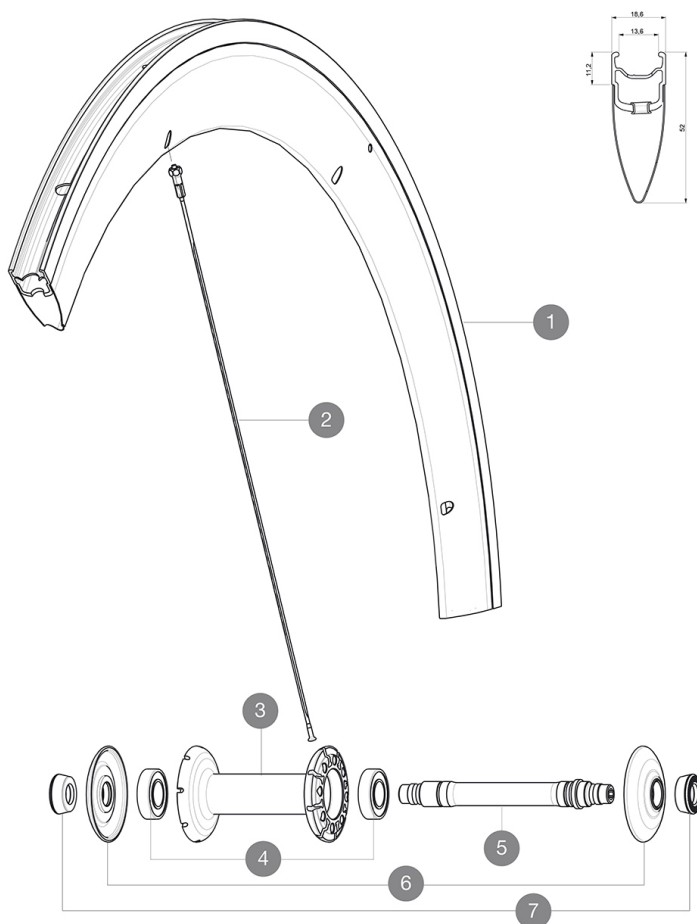


REFERENCES WHEELS

325653 COSMIC CARB SLE 013 FRT WTS



RIMS



&NBSP;:

1 30972410 KIT FRONT COSMIC CARBONE SLE 2013 RIM

SPOKES

2 36644501 KIT 10 FT/NDS COSMIC CARBON SLS BLK SPK 289mm

HUB SHELLS

4 M40078 FRONT HUB BEARINGS 6901 x 2
5 30870001 FRONT AXLE ROAD RIM BRAKING QRM +
6 32985701 HUB CAP & ADJUSTING NUT CXR 80

ADAPTERS

7 35117301 FT/RR FORK REST R-SYS/CC ULTIMATE > 2013/KSY PRO CARB T

MAVIC *Cosmic Carbone SLE***DELIVERED WITH**

BR601 quick releases	
BR601 quick releases	
Wheelbags	
Wheelbags	
Exalith brake pads	
Exalith brake pads	
Valve extender	
Multifunction adjustment wrench	
Multifunction adjustment wrench	
User guide	
User guide	

Specifications**RIMS**

- **Material** : Maxtal and 12K carbon fiber
- **Material** : Maxtal and 12K carbon fiber
- **Height** : 52 mm
- **Color** : carbon
- **Height** : 52 mm
- **Joint** : SUP
- **Drilling** : traditional
- **Joint** : SUP
- **Drilling** : traditional
- **Brake track** : Exalith 2
- **Weight reduction** : ISM
- **Eyelet** : single
- **Valve hole diameter** : 6.5 mm
- **Brake track** : Exalith 2
- **Tyre** : clincher
- **Weight reduction** : ISM
- **Valve hole diameter** : 6.5 mm
- **Tyre** : clincher
- **ETRTO size** : 622x13C
- **ETRTO size** : 622x13C
- **Recommended tyre sizes** : 19 to 28 mm
- **Recommended tyre sizes** : 19 to 28 mm

SPOKES

- **Material** : steel
- **Material** : steel
- **Shape** : straight pull, bladed, double butted
- **Shape** : straight pull, bladed, double butted
- **Color** : black
- **Nipples** : APC front aluminum, rear brass

WHEEL HUB

- **Front and rear bodies** : aluminum
- **Front and rear bodies** : aluminum
- **Color** : black
- **Front and rear axle material** : aluminum QRM+
- **Front and rear axle material** : aluminum FTS-L steel
- **Front and rear axle material** : aluminum QRM+
- **Front and rear axle material** : aluminum FTS-L steel

WHEEL WEIGHTS

Wheel weight 730