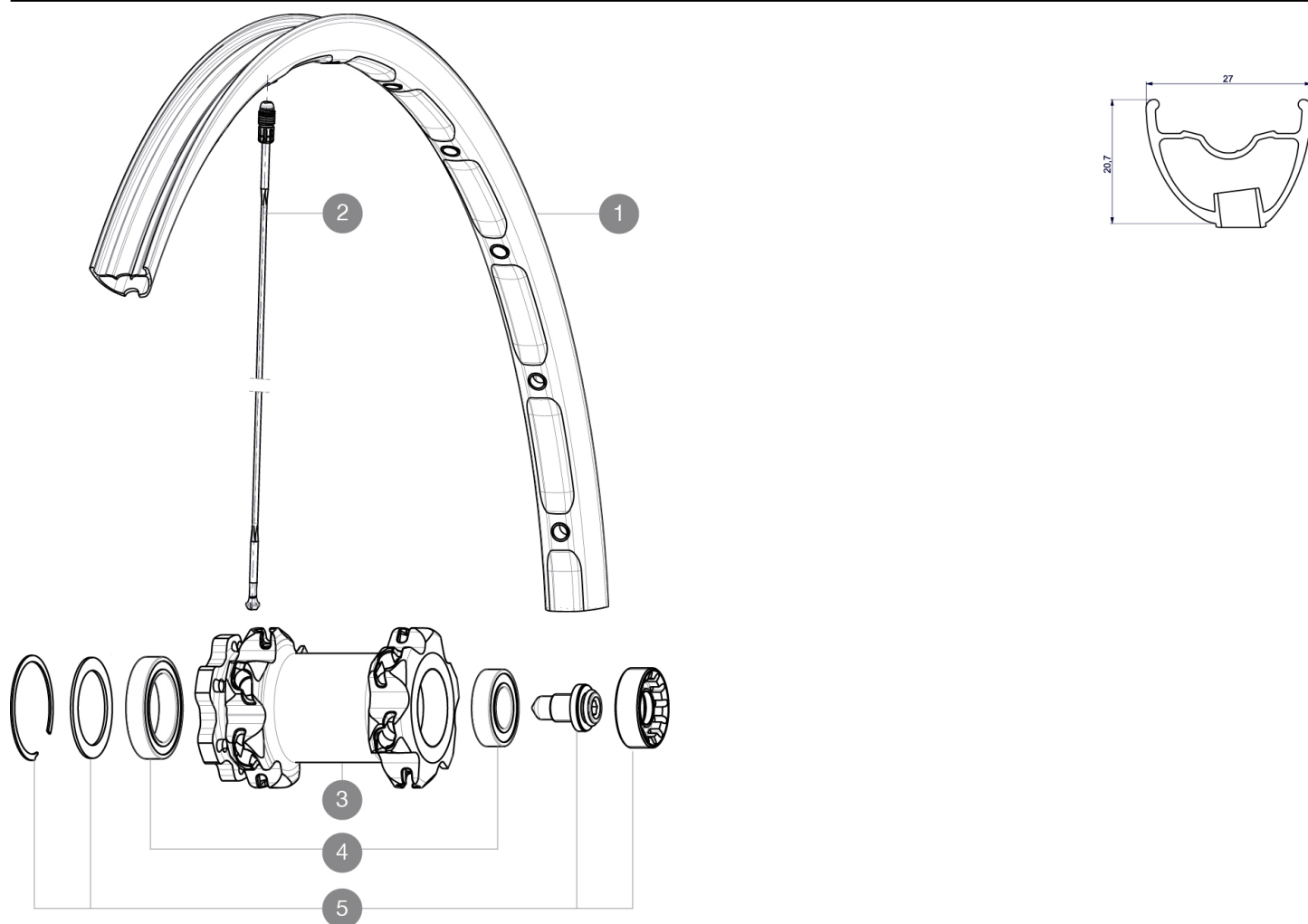


# MAVIC Crossmax XL 29 Supermax

2015  
FRONT

## REFERENCES WHEELS

F16801 CrossmaxXL29SpxFWTS



## RIMS



VALVE HOLE  $\bar{A}$  (MM): 6.5 :

|   |          |                                    |
|---|----------|------------------------------------|
| 1 | V2310910 | KIT FRONT RIM CROSSMAX XL 2015 29" |
|---|----------|------------------------------------|

## SPOKES

|   |          |   |
|---|----------|---|
| 2 | A7209901 | KIT 12 FT/NDS CROSSMAX XL/DEEMAX PRO 19 29" SPK 293mm |
|---|----------|---|

## HUB SHELLS

|   |          |  |
|---|----------|--|
| 3 | N/A      | HUB BODY                               |
| 4 | M40771   | BEARING KIT FOR LEFTY 50 & 60 HUB      |
| 5 | 36709301 | ASSEMBLY KIT FOR LEFTY SUPERMAX WHEELS |



# *Crossmax XL 29 Supermax*

## ***Specifications***

### **WHEEL WEIGHTS**

Wheel weight