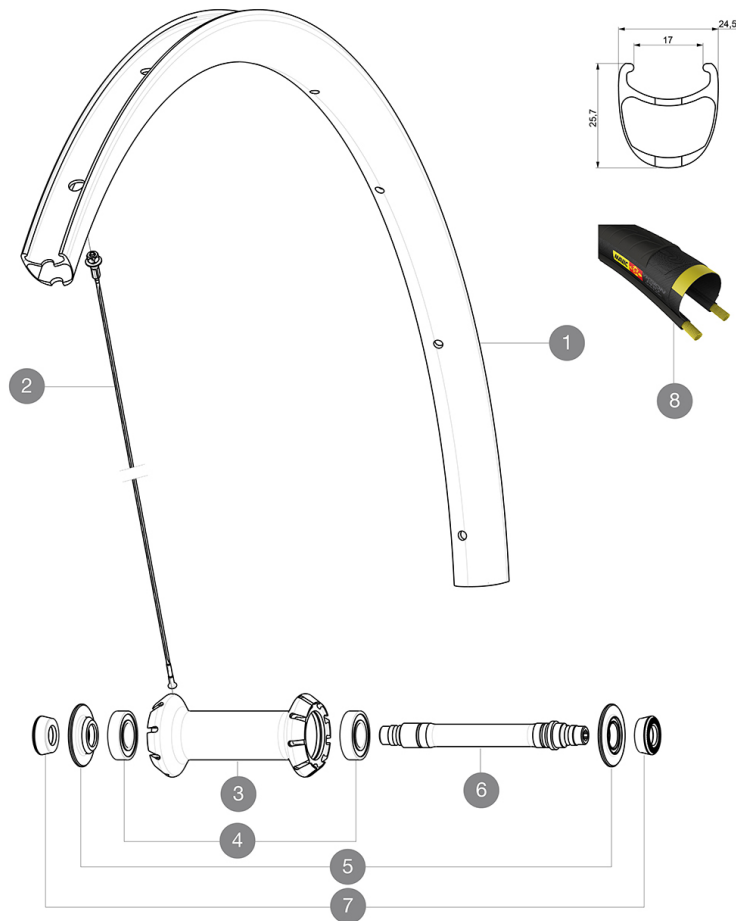


**MAVIC** *Ksyrium Pro Carbon SL C*

ASTM CATEGORY 1 : road only  
 Recommended weight limit : 120kg  
 Recommended tyre sizes: 25 to 52 mm  
 Max. Pressure: 25mm 7.7 bars - 110 PSI

**REFERENCES WHEELS**

F27401 KProCarbSL C Ft

**RIMS**VALVE HOLE  $\bar{A}$  (MM): 6,5 :

|   |          |  |
|---|----------|--|
| 1 | V2737310 | KIT FRONT RIM KSYRIUM PRO CARBON SL UST                      |
| 1 | V2401410 | KIT FRT RIM KSYRIUM PRO CARBON SL Clincher - while stock las |
|   | V2690101 | KIT CARBON RIM TAPE 21x622mm - FOR CARBON RIM                |
|   | V3720101 | 25mm UST Tape for 19 to 22mm Road Rims                       |

**SPOKES**

|   |          |  |
|---|----------|--|
| 2 | V3663801 | KIT 12 FRT KSYR PRO CARB SL C/UST/T & NDS COSMIC PRO CARB SL |
| 2 | V2274201 | KIT 9 FT BTD SPK 285mm/ALU NIPPLE/WASHER - while stock last  |

**HUB SHELLS**

|   |          |   |
|---|----------|---|
| 4 | M40078   | FRONT HUB BEARINGS 6901 x 2             |
| 5 | V2252501 | FRONT SETTING NUT & DUST PROTECTOR MY16 |
| 6 | 30870001 | FRONT AXLE ROAD RIM BRAKING QRM +       |

**TYRES**

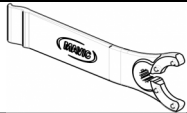
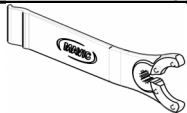
|   |          |                      |
|---|----------|----------------------|
| 8 | 37805225 | YksionProGripLinkSSC |
|---|----------|----------------------|

**ADAPTERS**

|   |          |   |
|---|----------|---|
| 7 | 35117301 | FT/RR FORK REST R-SYS/CC ULTIMATE > 2013/KSY PRO CARB T |
|---|----------|---|

# MAVIC Ksyrium Pro Carbon SL C

## DELIVERED WITH

|  |   |
|--|---|
| BR601 quick releases                                 |   |
| Rim tape   |   |
| Carbon brake pads                                    |   |
| Carbon brake pads                                    |   |
| Carbon brake pads                                    |   |
| User guide   |   |
| Rim tape   |   |
| Rim tape   |   |
| Multifunction adjustment wrench<br>(325 423 01)<br>1 |  |
| Multifunction adjustment wrench<br>(325 423 01)<br>1 |  |
| User guide   |   |
| User guide   |   |

## COMPATIBILITY

|   |  |
|---|--|
| Freewheel: Shimano/Sram or Campagnolo,<br>convertible to XD-R with optional driver body |  |
| Front axle: Quick Release only  |  |
| Front axle: Quick Release only  |  |
| Rear axle: Quick Release only   |  |
| Rear axle: Quick Release only   |  |

## Specifications

### RIMS

- **Material** : 3K carbon fibers
- **Height** : 25mm
- **Drilling** : traditional
- **Material** : 3K carbon fibers
- **Material** : 3K carbon fibers
- **Brake track** : carbon with TgMAX technology
- **Valve hole diameter** : 6.5 mm
- **Tyre** : clincher
- **ETRTO size** : 622x17C
- **Height** : 25mm
- **Height** : 25mm
- **Recommended tyre sizes** : 25 to 52 mm
- **Drilling** : traditional
- **Drilling** : traditional
- **Brake track** : carbon with TgMAX technology
- **Brake track** : carbon with TgMAX technology
- **Brake track** : carbon
- **Brake track** : carbon
- **Valve hole diameter** : 6.5 mm
- **Valve hole diameter** : 6.5 mm
- **Tyre** : clincher
- **Tyre** : clincher

### WHEEL HUB

- **Front and rear bodies** : aluminum
- **Axle material** : aluminum
- Sealed cartridge bearings
- **Freewheel** : Instant Drive 360
- **Front and rear bodies** : aluminum
- **Front and rear bodies** : aluminum
- **Axle material** : aluminum
- **Axle material** : aluminum
- Sealed cartridge bearings
- Sealed cartridge bearings
- **Freewheel** : Instant Drive 360
- **Freewheel** : Instant Drive 360

### VERSIONS

- **Color** : Black only
- **Color** : Black only

### WHEEL WEIGHTS

Wheel weight 615