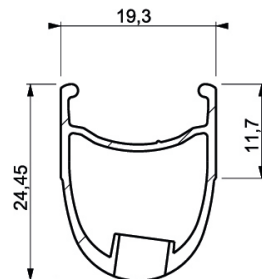
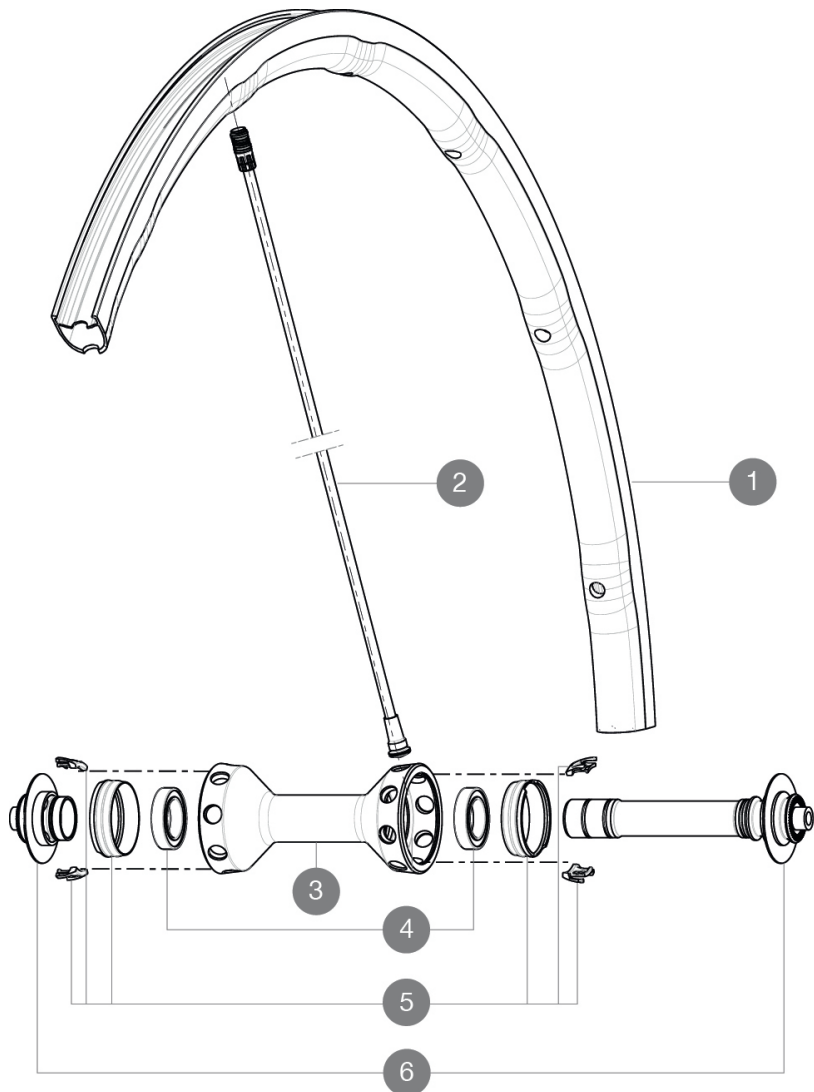


ASTM CATEGORY 1 : road only
 Recommended weight limit : 120kg
 Recommended tyre sizes: 23 to 32 mm
 Max. Pressure: see indication on wheel and tyre. If they differ, use the lower of the 2
 Max. Pressure: 23mm 8.7 bars - 125 psi, 25/28mm 7.7 bars - 110 psi
 Max. Pressure: 25mm 7.7 bars - 110 PSI

REFERENCES WHEELS

F34201	R-Sys SLR16Ft	F70891	R-Sys SLR Ft Limited
--------	---------------	--------	----------------------



RIMS



VALVE HOLE \bar{A} (MM): 6.5 :

1	V2405310	KIT FRONT RIM R-SYS SLR LTD
1	A7199710	KIT FRONT RIM R-SYS SLR 2015

SPOKES

2	V2270201	R-SYS SLR 15 CARB TUB SPOKE 282,7mm - while stock last
2	V2273001	KIT 2 R-SYS SLR Ltd SPOKES 282.7mm
2	V4161301	Kit 10 front/rear Rsys spokes 282,7mm from 2020
5	99693801	2 SILVER TRACOMP RINGS + CLIPS

HUB SHELLS

3	N/A	HUB BODY
4	10567901	FRONT HUB QRM SL BEARINGS 15x24x5 6802
6	10846901	FRONT AXLE KIT R-SYS SL/SLR

DELIVERED WITH

BR601 quick releases	
BR601 quick releases	
BR601 quick releases	
BR601 quick releases	
BR601 quick releases	
Exalith brake pads	
Computer magnet (front wheel)	
Exalith brake pads	
Exalith brake pads	
Exalith brake pads	
Exalith brake pads	
Exalith brake pads	
Multifonction adjustment wrench	
Tracomp ring tool	
Computer magnet (front wheel)	
Computer magnet (front wheel)	
Computer magnet (front wheel)	
Computer magnet (front wheel)	
Computer magnet (front wheel)	
User guide	

COMPATIBILITY

Freewheel: Shimano/Sram, convertible to Campagnolo with optional driver body	
Freewheel: Shimano/Sram, convertible to Campagnolo with optional driver body	
Freewheel: Shimano/Sram, convertible to Campagnolo with optional driver body	
Freewheel: Shimano/Sram, convertible to Campagnolo with optional driver body	
Front axle: Quick Release only	
Front axle: Quick Release only	
Front axle: Quick Release only	
Front axle: Quick Release only	
Rear axle: Quick Release only	
Rear axle: Quick Release only	
Rear axle: Quick Release only	
Rear axle: Quick Release only	