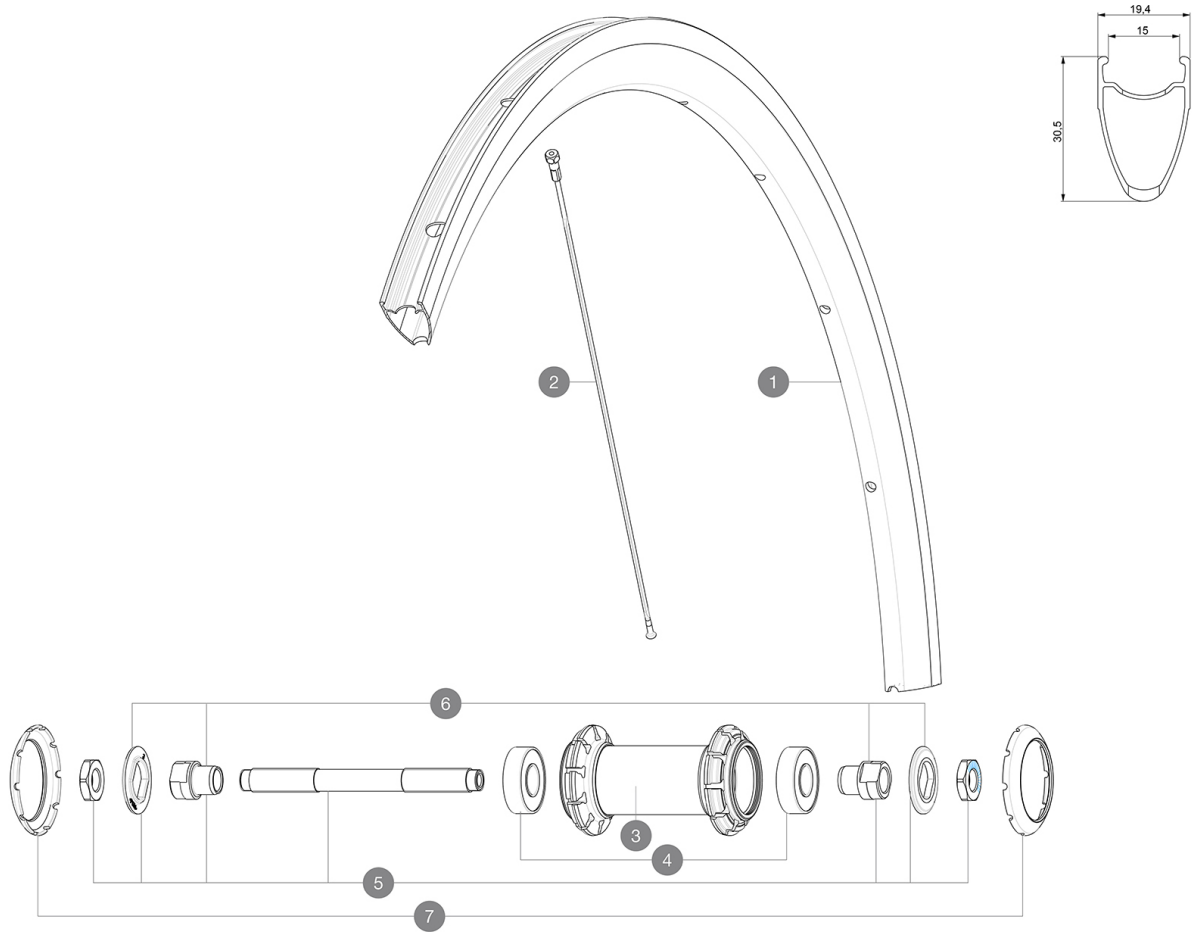


ASTM CATEGORY 2 : road and offroad with jumps less than 15cm
 Recommended weight limit : 120kg
 Recommended tyre sizes: 23 to 32 mm
 Max. Pressure: 23mm 8.7 bars - 125 psi

REFERENCES WHEELS

F34001 CosmicElite16Ft



RIMS



VALVE HOLE \bar{A} (MM): 6,5 :

1	V2732615	KIT FRONT/REAR RIM COSMIC ELITE UST
1	12017315	KIT FRONT/REAR COSMIC ELITE RIM - while stock last

SPOKES

2	36644801	KIT 10 FT/NDS COSMIC ELITE S / UST BLK SPK 276mm
---	----------	--

HUB SHELLS

3	N/A	HUB BODY
4	M40318	KIT 2 HUB BEARINGS 6001
5	99603801	SHORT EXPENSIBLE BEARING SUPPORTS > 2008
6	99603701	FRONT AXLE QRM ROAD 2008
7	12034401	KIT 3 HUB CAPS AERO 10 SLOTS BLACK

MAVIC Cosmic Elite

DELIVERED WITH

BR101 quick releases	
Rim tape	
BR101 quick releases	
User guide	
Rim tape	
User guide	

COMPATIBILITY

Freewheel: Shimano/Sram, convertible to Campagnolo with optional driver body	
Front axle: Quick Release only	
Rear axle: Quick Release only	

Specifications

RIMS

- **Material** : S6000 Aluminum
- **Height** : 30 mm
- **Joint** : SUP
- **Drilling** : traditional
- **Brake track** : UB Control
- **Valve hole diameter** : 6.5 mm
- **Tyre** : clincher
- **Material** : S6000 Aluminum
- **ETRTO size** : 622x15C
- **Recommended tyre sizes** : 23 to 32 mm
- **Height** : 30 mm
- **Joint** : SUP
- **Drilling** : traditional
- **Brake track** : UB Control
- **Valve hole diameter** : 6.5 mm
- **Tyre** : clincher
- **Internal width** : 15mm
- **ETRTO size** : 622x15C

SPOKES

- **Material** : steel
- **Shape** : straight pull, bladed
- **Nipples** : brass, ABS
- **Count** : 20 front and rear
- **Lacing** : radial front and rear non-drive side, crossed 2 rear drive side
- **Material** : steel
- **Shape** : straight pull, bladed
- **Nipples** : steel, ABS
- **Count** : 20 front and rear
- **Lacing** : radial front and rear non-drive side, crossed 2 rear drive side

WHEEL HUB

- **Front and rear bodies** : aluminum
- **Axle material** : steel
- Sealed cartridge bearings
- **Freewheel** : FTS-L steel
- **Front and rear bodies** : aluminum
- **Axle material** : steel
- Sealed cartridge bearings
- **Freewheel** : FTS-L steel

VERSIONS

- **Color** : Black only

WHEEL WEIGHTS

Wheel weight 815