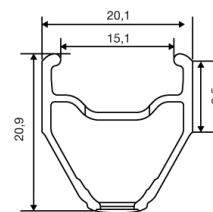
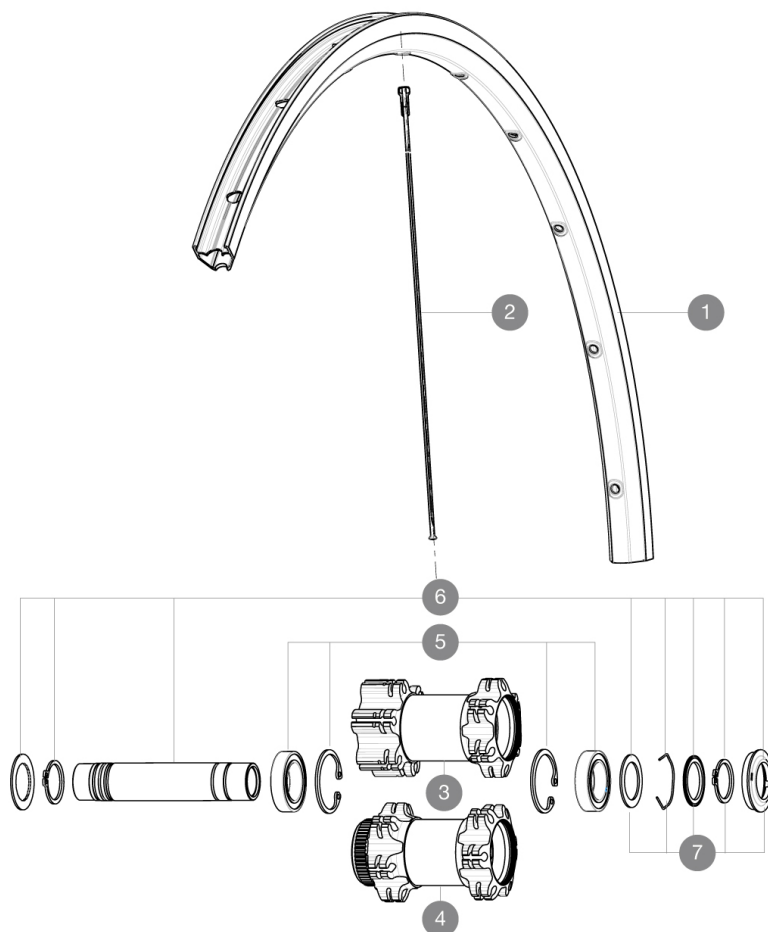


ASTM CATEGORY 2 : road and offroad with jumps less than 15cm
Recommended weight limit : 120kg

REFERENCES WHEELS

F41501 KsyriumDiscFt CL

F41401 KsyriumDiscFt INTL



RIMS



VALVE HOLE \bar{A} (MM): 6,5 :

1 V2402915 KIT FRONT/REAR RIM KSYRIUM DISC

SPOKES

2 V2275501 KIT 12 FT KSYRIUM D/NDS KSY D 9 SPK 292mm

HUB SHELLS

3	N/A	HUB BODY
5	V2371101	KIT FRONT QRM AXLE 100mm/BOOST 110mm
5	99688501	BEARING KIT 9/12/15 D6T HUB 20x32x7 6804
6	V2370101	KIT FRONT AXLE 15MM CROSSONE/-RIDE/-ROC - while stock last
7	V2370301	KIT FRONT AUTO ADJUSTING PLAY 15mm AXLE

MAVIC Ksyrium Disc

DELIVERED WITH

BR101 quick releases	
Rim tape	
Front QR adapters	
User guide	

Specifications

RIMS

- **Material** : S6000 Aluminum
 - **Height** : 25mm
 - **Joint** : SUP
 - **Drilling** : traditional with H2 reinforcement
- Disc brake specific profile
- **Valve hole diameter** : 6.5 mm
 - **Tyre** : clincher
 - **ETRTO size** : 622x15C
 - **Recommended tyre sizes** : 23 to 32 mm

SPOKES

- **Material** : steel
- **Shape** : straight pull, bladed
- **Nipples** : brass, ABS
- **Count** : 24 front and rear
- **Lacing** : front and rear crossed 2

WHEEL HUB

- **Front and rear bodies** : aluminum
 - **Axle material** : front aluminum, rear steel
- Sealed cartridge bearings
- **Freewheel** : FTS-L steel
 - **Front** : convertible to 15mm through axle

WHEEL WEIGHTS

Wheel weight 830