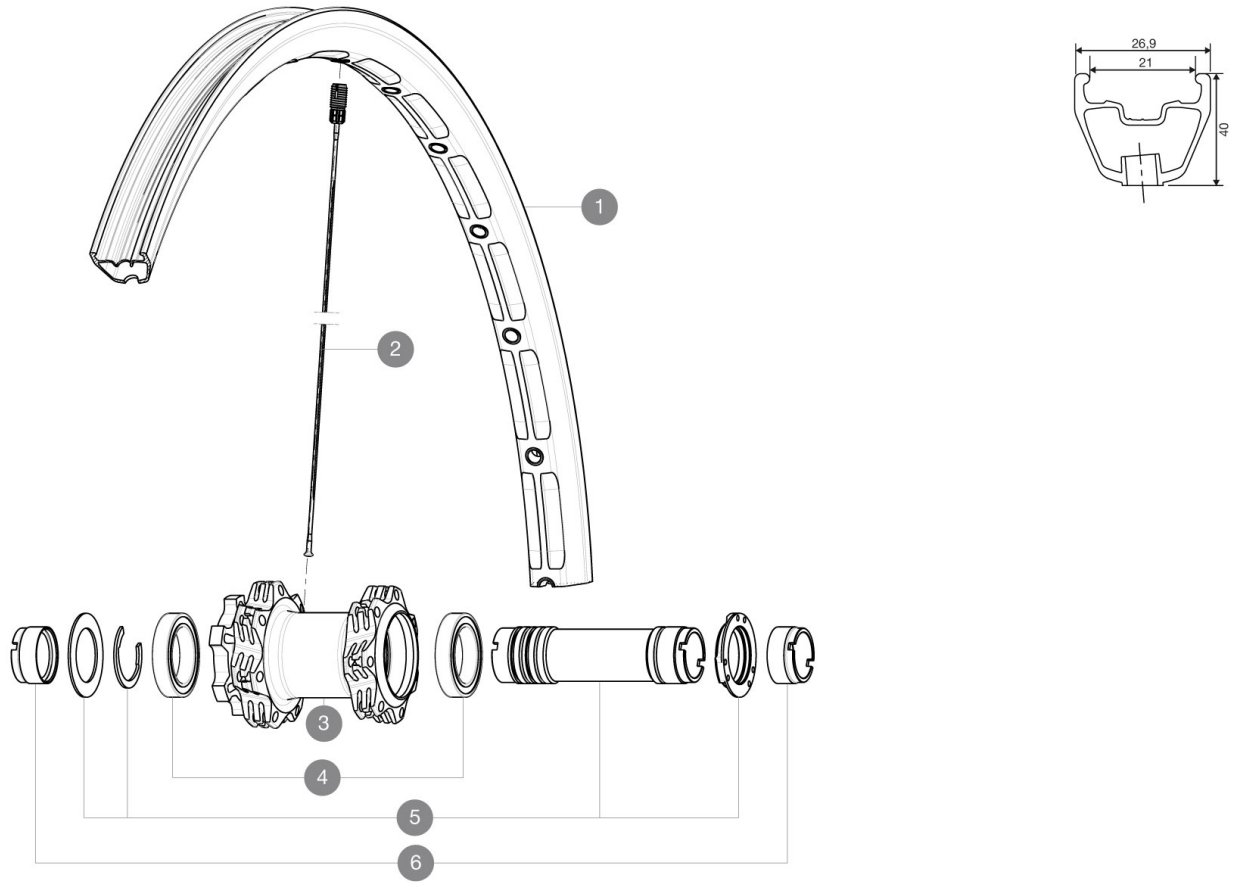


Recommended weight limit : 120kg
ETRTO recommended tyre sizes: 35mm to 69mm (1.4" to 2.7")

REFERENCES WHEELS

F42001	DmaxUlti16Ft26	R67701	DmaxUlti16Pr 26 12x150
--------	----------------	--------	------------------------



RIMS



VALVE HOLE \varnothing (MM): 6,5 :

1	99691910	KIT FRONT RIM DEEMAX ULTIMATE YELLOW
---	----------	--------------------------------------

SPOKES

2	30863801	KIT 14 FT M7/7 DEEMAX ULTIMATE 12 SPK 271mm
---	----------	---

HUB SHELLS

3	N/A	HUB BODY
4	M40179	FRONT BEARING 25x37x7 20mm AXLE
5	30870501	FRONT AXLE 20mm CROSSMAX + DEEMAX ULTI 2012

ADAPTERS

6	12982901	ADAPTER Ft 20x110mm
---	----------	---------------------

DELIVERED WITH

UST valve and accessories	
Rear QR adapters	
Multifonction adjustment wrench	
User guide	
12x157mm adaptors (308 593 01 for ITS4)	
UST valve and accessories	
Multifonction adjustment wrench	
User guide	
12x157mm adaptors (308 593 01 for ITS4)	

COMPATIBILITY

Freewheel: Shimano/Sram, convertible to XD with optional driver body	
Front axle: 20mm or 15mm thru axle with optional adapters	
Rear axle: 12mm thru axle, convertible to Quick Release with optional adapters	

Specifications
RIMS

- **Material** : Maxtal
 - **Joint** : SUP
 - **Drilling** : Fore
- Disc brake specific profile
- **Weight reduction** : ISM with central spine
 - **Valve hole diameter** : 6.5 mm
 - **Tyre** : UST Tubeless and tubetype
 - **Material** : Mxatal
 - **Internal width** : 21 mm
 - **ETRTO size 26"** : 559x21C
 - **ETRTO recommended tyre sizes** : 35mm to 69mm (1.4" to 2.7")
 - **Joint** : SUP
 - **Drilling** : Fore
- Disc brake specific profile
- **Weight reduction** : ISM with central spine
 - **Valve hole diameter** : 6.5 mm
 - **Tyre** : UST Tubeless and tubetype
 - **Internal width** : 21 mm
 - **ETRTO size 26"** : 559x21C

SPOKES

- **Material** : steel
- **Shape** : straight pull, bladed
- **Nipples** : Fore integrated aluminum
- **Count** : front 28, rear 32
- **Material** : steel
- **Lacing** : front and rear crossed 3
- **Shape** : straight pull, bladed
- **Nipples** : Fore integrated aluminum
- **Count** : front 28, rear 32
- **Lacing** : front and rear crossed 3

WHEEL HUB

- **Front and rear bodies** : aluminum
 - **Axle material** : aluminum
- Adjustable sealed cartridge bearings
- **Freewheel** : ITS-4 alloy
 - **Front and rear bodies** : aluminum
- Shimano 11 speeds compatible
- **Axle material** : aluminum
- Sram XD Compatible (XX1-X01) with optional kit
- Adjustable sealed cartridge bearings
- **Freewheel** : ITS-4 alloy

VERSIONS

- **Color** : Black only
- **Disc standard** : 6 Bolts only

WHEEL WEIGHTS

- **Wheel weight**
- **Weight Front 26"**: 910
- **Weight Front 27.5"**: 930