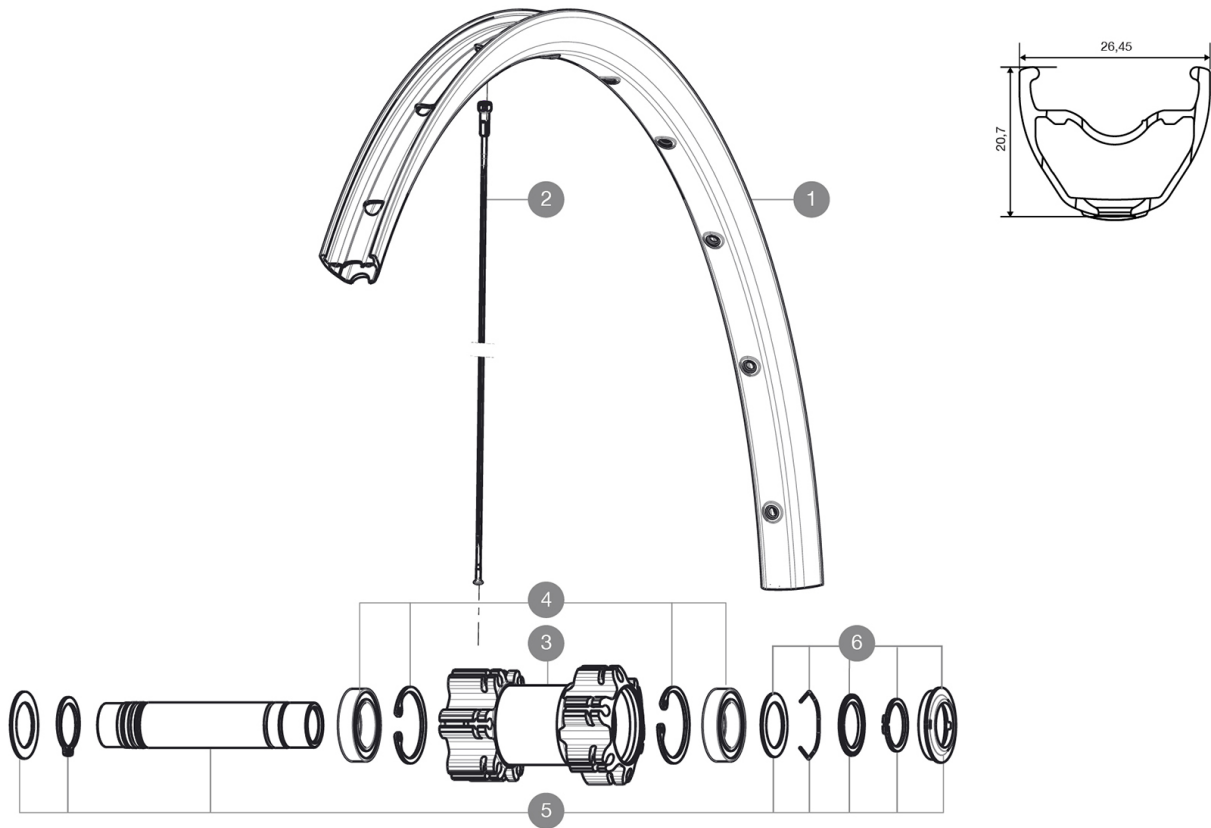


**MAVIC** *Crossride Light WTS 26*

ASTM CATEGORY 3 : offroad with jumps less than 61cm  
Recommended weight limit : 120kg

**REFERENCES WHEELS**

F36801 Xride Light26F1 WTS

**RIMS**

☒ VALVE HOLE (MM): 8,5 WITH POP OFF REDUCER :

1 V2314415 "KIT FRONT/REAR RIM CROSSRIDE LIGHT 26""

**SPOKES**


2 V2381501 KIT 12 FRONT CROSSRIDE LIGHT 26" SPOKE 263mm

**HUB SHELLS**

3	N/A	HUB BODY
4	99688501	BEARING KIT 9/12/15 D6T HUB 20x32x7 6804
5	V2370101	KIT FRONT AXLE 15MM CROSSONE/-RIDE/-ROC - while stock last
5	V2371101	KIT FRONT QRM AXLE 100mm/BOOST 110mm
6	V2370301	KIT FRONT AUTO ADJUSTING PLAY 15mm AXLE

# MAVIC Crossride Light WTS 26

## DELIVERED WITH

Rim tape	
Rear 12x142mm adapters	
User guide	
Rear 12x142mm adapters for ITS4 and TS2 (308 593 01 for ITS4, 329 650 01 for TS2) 1	
Rim tape	
User guide	

## COMPATIBILITY

Freewheel: Shimano/Sram, convertible to XD with optional driver body	
Front axle: convertible from 15mm thru axle to Quick Release with optional adapters	
Rear axle: 12mm thru axle, convertible to Quick Release with optional adapters	

## Specifications

### RIMS

- **Joint** : sleeved
- **Drilling** : traditional
- Disc brake specific profile
- **Valve hole diameter** : 8,5 mm with pop off reducer
- **Tyre** : tubetype
- **Internal width** : 21 mm
- **ETRTO size 26"** : 559x21C
- **ETRTO size 27.5"** : 584x21C
- **ETRTO size 29"** : 622x21C
- **Joint** : sleeved
- **Drilling** : traditional
- Disc brake specific profile
- **Valve hole diameter** : 8,5 mm with pop off reducer
- **Tyre** : tubetype
- **Internal width** : 21 mm
- **ETRTO size 26"** : 559x21C
- **ETRTO size 27.5"** : 584x21C
- **ETRTO size 29"** : 622x21C

### SPOKES

- **Material** : steel
- **Shape** : straight pull, bladed, double butted
- **Nipples** : brass, ABS
- **Count** : 24 front and rear
- **Lacing** : front and rear crossed 2
- **Material** : steel
- **Shape** : straight pull, bladed, double butted
- **Nipples** : steel, ABS
- **Count** : 24 front and rear
- **Lacing** : front and rear crossed 2

### WHEEL HUB

- **Freewheel** : TS-2 alloy
- **Front and rear bodies** : aluminum
- **Freewheel** : TS-2 alloy

### VERSIONS

- **Color** : Black only
- **Disc standard** : 6 Bolts only
- **Hub width** : Boost (front 110, rear 148) or Non-Boost (front 100, rear 135/142)

### WHEEL WEIGHTS

- Wheel weight
- Weight Front 26": 850
- Weight Front 27.5": 880
- Weight Front 29": 930