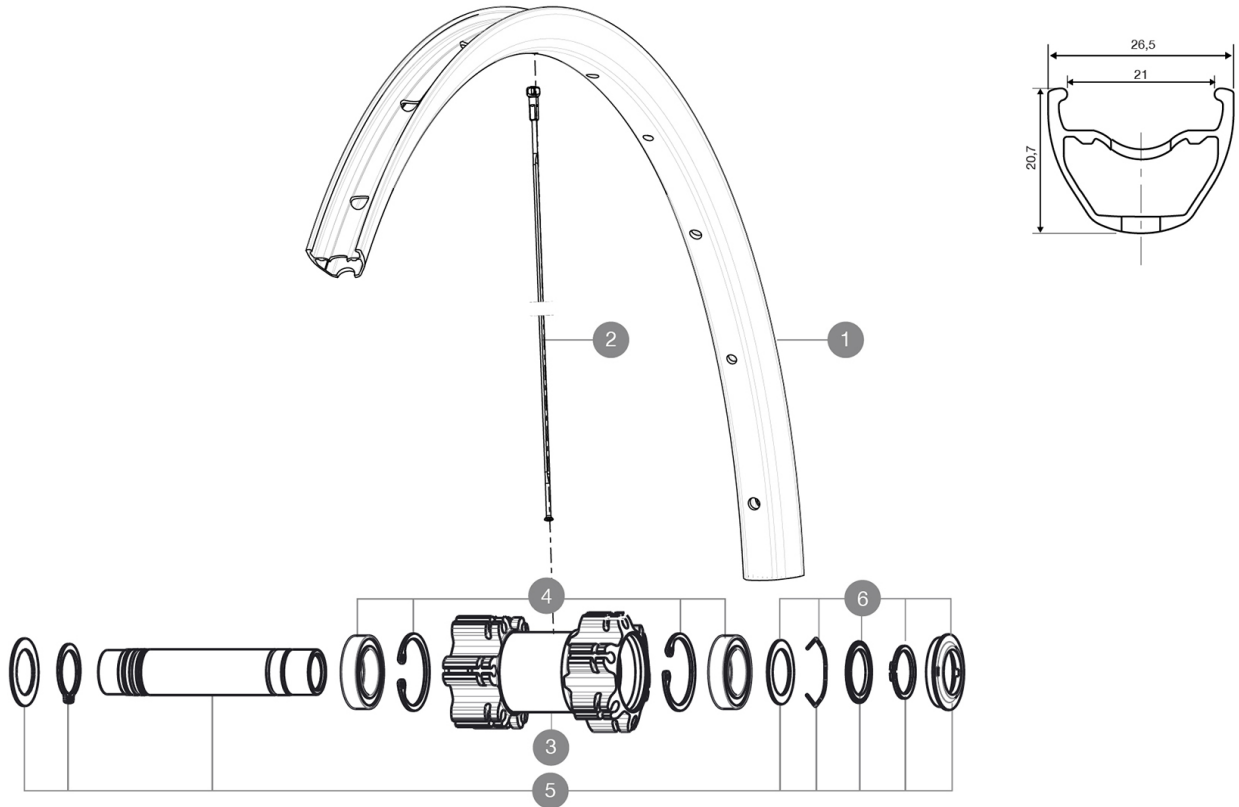


MAVIC **CROSSRIDE FTS-X 29**

ASTM CATEGORY 3 : offroad with jumps less than 61cm
 ID360 Shimano steel freewheel body (V3790101)
 Maximum tyre pressure: 6.1bar/88PSI with a 25mm tyre - 3.5bar/51PSI with a 64mm tyre
 Recommended weight limit : 120kg
 For a longer longevity of the wheel, Mavic recommends that the total weight supported by the wheels doesn't exceed 150kg, bike included
 Recommended tire sizes: 28 to 64 mm (1.1" to 2.5")
 ETRTO recommended tyre sizes: 35mm to 69mm (1.4" to 2.7")
 ID360 N3W freewheel body (V4270101)

REFERENCES WHEELS

F50701 XRIDE FTS-X INT 29

**RIMS**

VALVE HOLE (MM): 8,5 WITH POP OFF REDUCER :

1	V2314915	"KIT FRT/RR RIM CROSSRIDE/CROSSRIDE FTSX 29""
---	----------	---

SPOKES

2	V2383001	KIT 12 FT/NDS CROSSRIDE FTSX 29" SPK 297mm
---	----------	--

HUB SHELLS

3	N/A	HUB BODY
4	99688501	BEARING KIT 9/12/15 D6T HUB 20x32x7 6804
5	V2370101	KIT FRONT AXLE 15MM CROSSONE/-RIDE/-ROC - while stock last
5	V2371101	KIT FRONT QRM AXLE 100mm/BOOST 110mm
6	V2370301	KIT FRONT AUTO ADJUSTING PLAY 15mm AXLE

DELIVERED WITH

BR101 quick releases	
User guide	
Rim tape	
Front QR adapters	
BR101 quick releases	
BR101 quick releases	
BR101 quick releases	
BR101 quick releases	
BR101 quick releases	
BR101 quick releases	
BR101 quick releases	
BR101 quick releases	
BR101 quick releases	
BR101 quick releases	
BR101 quick releases	
Valve reducer	
Front QR adapters	
Front QR adapters	
User guide	
Front QR adapters	
Front QR adapters	

COMPATIBILITY

Freewheel: Shimano/Sram	
Freewheel: Shimano/Sram	
Freewheel: Shimano/Sram	
Freewheel: Shimano/Sram	
Front axle: convertible from 15mm thru axle to Quick Release with included adapters	
Front axle: convertible from 15mm thru axle to Quick Release with included adapters	
Front axle: convertible from 15mm thru axle to Quick Release with included adapters	
Front axle: convertible from 15mm thru axle to Quick Release with included adapters	
Front axle: convertible from 15mm thru axle to Quick Release with included adapters	
Front axle: convertible from 15mm thru axle to Quick Release with included adapters	
Rear axle: 12mm thru axle, convertible to Quick Release with adapters (delivered with non-boost wheel)	
ID360 Shimano steel freewheel body (V3790101)	
Rear axle: 12x148 Boost thru axle	
ID360 N3W freewheel body (V4270101)	