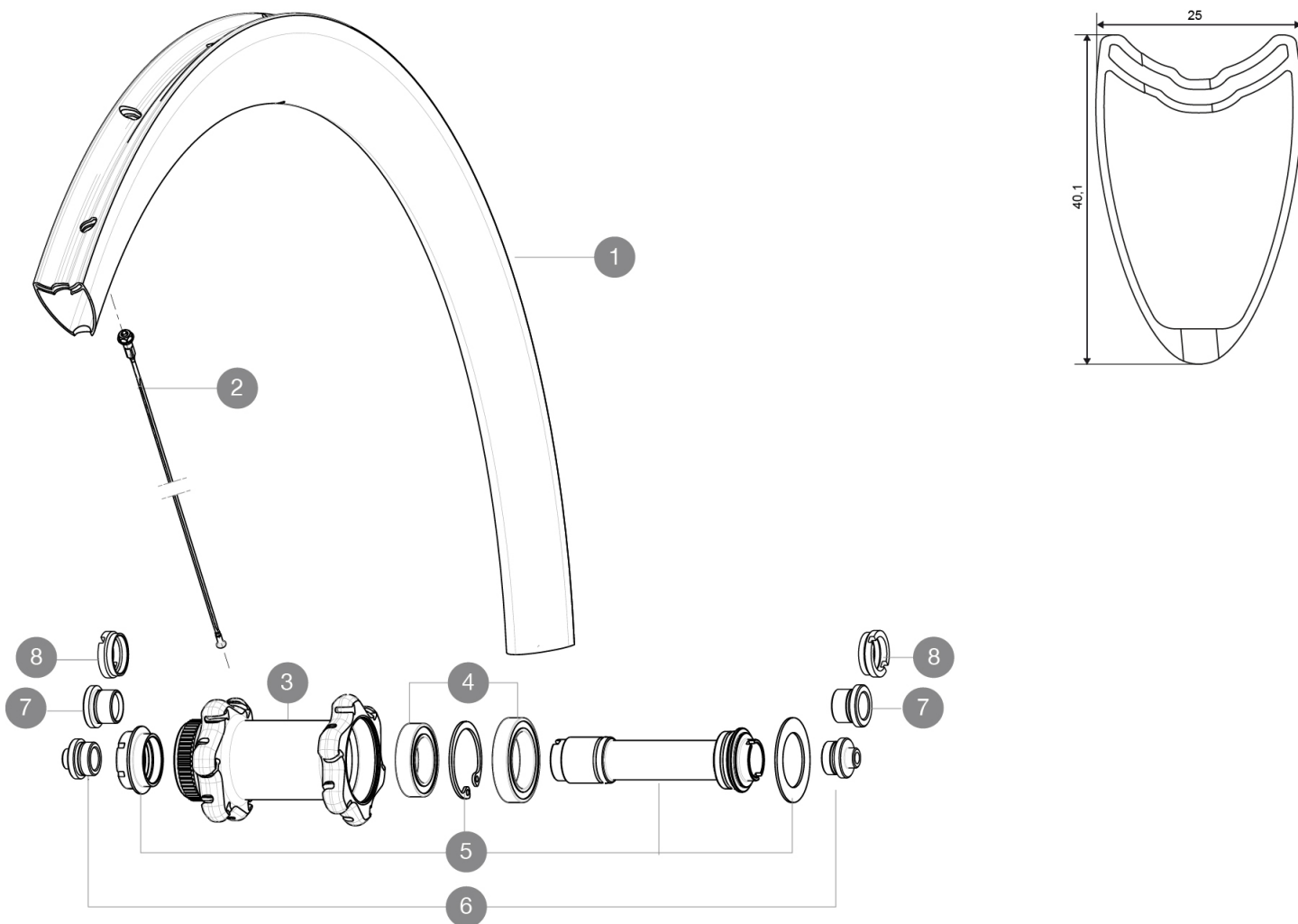


Recommended weight limit : 120kg
 Recommended tyre sizes: 25 to 52 mm
 Max. Pressure: 23mm 8.7 bars - 125 psi, 25/28mm 7.7 bars - 110 psi
 Max. Pressure: 25mm 7.7 bars - 110 PSI

REFERENCES WHEELS

| | | | |
|--------|-------------------------|--------|-----------------------|
| F71331 | CosProCarSITDCLF1QRx100 | F52401 | CosProCarbSLTDiscCLFt |
| F71351 | CosProCarSITDCLF15x100 | | |



RIMS



VALVE HOLE \bar{A} (MM): 6,5 :

| | | |
|---|----------|--|
| 1 | V2403910 | KIT FRONT RIM COS PRO CARB SL DISC TUBULAR |
|---|----------|--|

SPOKES

| | | |
|---|----------|--|
| 2 | V3663001 | KIT 12 FRT/NDS COSMIC PRO CARB SL UST/UST Disc C/C Disc/T Di |
| 2 | V2277401 | KIT 12 FT/NDS COSMIC PRO CARB SL D T 278mm SP - while stock |

HUB SHELLS



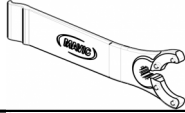
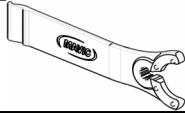
| | | |
|---|----------|--|
| 4 | 99688601 | BEARING KIT 9/15 DCL HUB 20x32x7 6804 + 25x37x7 6805 |
| 5 | V2252401 | KIT MY16 FRONT AXLE ROAD DISC 9/12/15 CL |

ADAPTERS

| | | |
|---|----------|------------------------|
| 6 | B4104301 | ADAPTER Ft 9mm QR QRM+ |
| 7 | B4104201 | ADAPTER Ft 12mm QR+ |
| 8 | B4104401 | ADAPTER Ft 15mm QR+ |

MAVIC Cosmic Pro Carbon SL T Disc

DELIVERED WITH

| | |
|---|---|
| BR601 quick releases | |
| Front 12 mm adapters | |
| Specific disc bolts | |
| User guide | |
| Front 12 mm adapters (B4104201) 1 |  |
| Rear 12x142mm adapters for Instant Drive 360 (B49 896 01 for ID360 6T, B49 899 01 for ID360 CL) 1 |  |
| Specific disc bolts | |
| Specific disc bolts | |
| Multifunction adjustment wrench (325 423 01) 1 |  |
| Multifunction adjustment wrench (325 423 01) 1 |  |
| User guide | |
| User guide | |

COMPATIBILITY

| | |
|---|--|
| Freewheel: Shimano/Sram, convertible to Campagnolo and XD-R with optional driver bodies | |
| Freewheel: Shimano/Sram or Campagnolo, convertible to XD-R with optional driver body | |
| Front axle: convertible from 12mm thru axle to quick release or 15mm thru axle with optional adapters | |
| Front axle: convertible from 12mm thru axle to quick release or 15mm thru axle with optional adapters | |
| Rear axle: 12mm thru axle, convertible to Quick Release with optional adapters | |
| Rear axle: 12mm thru axle, convertible to Quick Release with optional adapters | |

Specifications

RIMS

- **Material** : 3K carbon fibers
 - **Height** : 40 mm
 - **Material** : 3K carbon fibers
 - **Material** : 3K carbon fibers
 - **Drilling** : traditional
- Disc brake specific profile
- **Valve hole diameter** : 6.5 mm
 - **Tyre** : tubular
 - **ETRTO size** : 28" tubular
 - **Recommended tyre sizes** : 25 to 52 mm
 - **Height** : 40 mm
 - **Height** : 40 mm
 - **Drilling** : traditional
 - **Drilling** : traditional
- Disc brake specific profile
- Disc brake specific profile
- **Valve hole diameter** : 6.5 mm
 - **Valve hole diameter** : 6.5 mm
 - **Tyre** : tubular
 - **Tyre** : tubular
 - **ETRTO size** : 28" tubular
 - **ETRTO size** : 28" tubular

WHEEL HUB

- **Front and rear bodies** : aluminum
 - **Axle material** : aluminum
- Sealed cartridge bearings
- **Freewheel** : Instant Drive 360
 - **Front and rear bodies** : aluminum
 - **Front and rear bodies** : aluminum
 - **Axle material** : aluminum
 - **Front** : Quick release, 12 thru and 15 thru compatible
 - **Axle material** : aluminum
 - **Rear** : 12x142 (convertible to quick release with optional adapters)
 - **Front bearings** : adjustable sealed cartridge bearings (QRM+), Rear bearings auto adjust sealed cartridge bearings (QRM Auto)
- Sealed cartridge bearings
- **Freewheel** : Instant Drive 360
 - **Freewheel** : Instant Drive 360
 - **Front** : Quick release, 12 thru and 15 thru compatible
 - **Rear** : 12x142 (convertible to quick release with optional adapters)

WHEEL WEIGHTS

Wheel weight 730

SPOKES

- **Material** : steel

VERSIONS

- **Color** : Black only