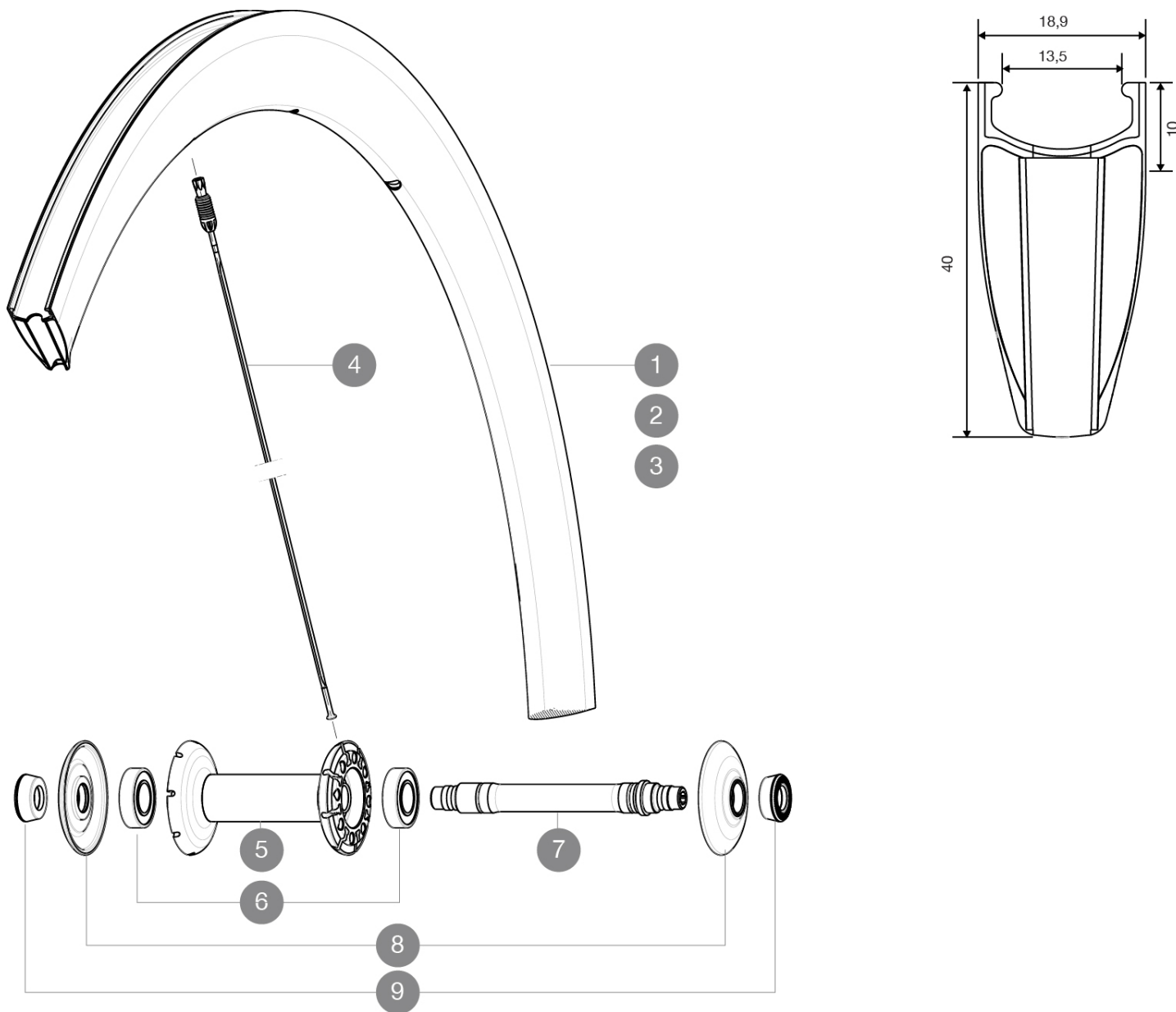


ASTM CATEGORY 1 : road only
Recommended weight limit : 120kg
Recommended tyre sizes: 21 to 28 mm
Max. Pressure: 23mm 8.7 bars - 125 psi

REFERENCES WHEELS

| | | | |
|--------|---------------------------|--------|----------------------------|
| F71841 | CosCarb40Elite16Frt Black | F71843 | CosCarb40Elite16Frt CHROME |
| F71842 | CosCarb40Elite16Frt White | | |



RIMS



VALVE HOLE \varnothing (MM): 6,5 :

| | | |
|---|----------|---------------------------------|
| 1 | V2400610 | FRONT RIM CC 40 ELITE WHITE |
| 2 | V2400810 | KIT FRONT RIM CC 40 ELITE BLACK |
| 3 | V2404310 | KIT FRONT RIM CC40 ELITE CHROME |

SPOKES

| | | |
|---|----------|--|
| 4 | V3664201 | KIT 12 FRT/NDS STAINLESS SPOKE CC40 C 277mm |
| 4 | 32979001 | KIT 10 AERO FT/NDS CC 40 C BLACK SPOKE 277mm - while stock I |

HUB SHELLS

| | | |
|---|----------|-----------------------------------|
| 5 | N/A | HUB BODY |
| 6 | M40078 | FRONT HUB BEARINGS 6901 x 2 |
| 7 | 30870001 | FRONT AXLE ROAD RIM BRAKING QRM + |

8 32985701 HUB CAP & ADJUSTING NUT CXR 80

ADAPTERS

9 35117301 FT/RR FORK REST R-SYS/CC ULTIMATE > 2013/KSY PRO CARB T

MAVIC *Cosmic Carbone 40 Elite***DELIVERED WITH**

| | |
|---------------------------------|--|
| BR301 quick releases | |
| Carbon brake pads | |
| BR301 quick releases | |
| Carbon brake pads | |
| Multifonction adjustment wrench | |
| User guide | |
| Multifonction adjustment wrench | |
| User guide | |

Specifications**RIMS**

- **Material** : 3K carbon fibers with aluminum cooling system
- **Height** : 40 mm
- **Drilling** : co-molded Fore drilled inserts
- **Brake track** : carbon with TgMAX technology
- **Brake track** : carbon
- **Material** : 3K carbon fibers with aluminum cooling system
- **Valve hole diameter** : 6.5 mm
- **Tyre** : clincher
- **ETRTO size** : 622x13C
- **Recommended tyre sizes** : 21 to 28 mm
- **Height** : 40 mm
- **Drilling** : co-molded Fore drilled inserts
- **Brake track** : carbon with TgMAX technology
- **Brake track** : carbon
- **Valve hole diameter** : 6.5 mm
- **Tyre** : clincher
- **ETRTO size** : 622x13C

SPOKES

- **Material** : steel
- **Shape** : straight pull, bladed, double butted
- **Nipples** : Fore integrated aluminum
- **Count** : front 16, rear 20
- **Material** : steel
- **Lacing** : radial front and rear non-drive side, crossed 2 rear drive side
- **Shape** : straight pull, bladed, double butted
- **Nipples** : Fore integrated aluminum
- **Count** : front 16, rear 20
- **Lacing** : radial front and rear non-drive side, crossed 2 rear drive side

WHEEL HUB

- **Front and rear bodies** : aluminum
 - **Axle material** : aluminum
- Adjustable sealed cartridge bearings
- **Freewheel** : FTS-L steel
 - **Front and rear bodies** : aluminum
 - **Axle material** : aluminum
- Adjustable sealed cartridge bearings
- **Freewheel** : FTS-L steel

WHEEL WEIGHTS

Wheel weight 670