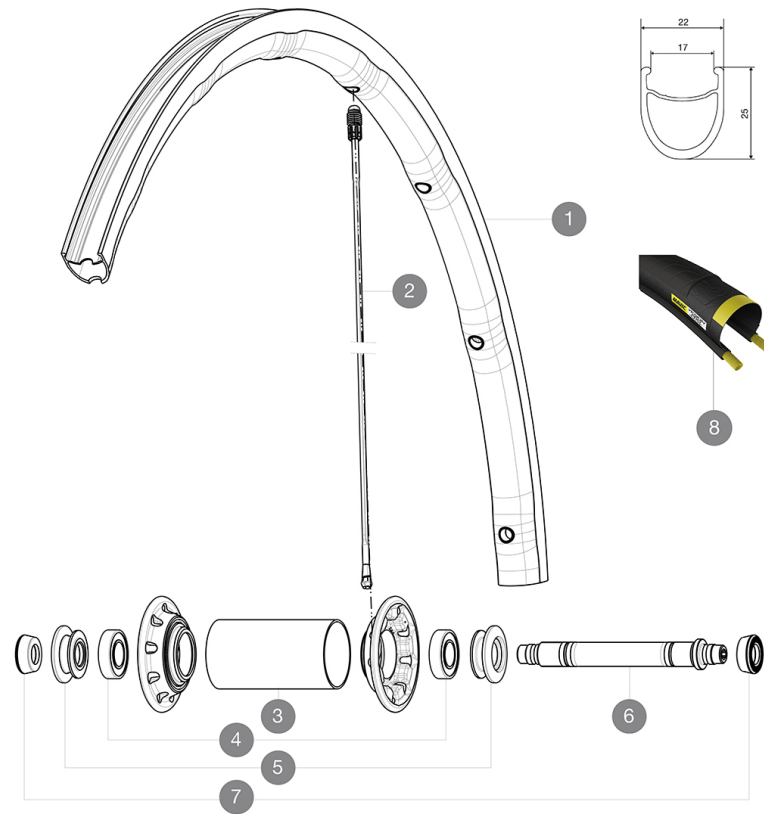


MAVIC Ksyrium Pro Exalith

ASTM CATEGORY 2 : road and offroad with jumps less than 15cm
 Recommended weight limit : 120kg
 Recommended tire sizes: 25 to 32 mm
 Max. Pressure: see indication on wheel and tyre. If they differ, use the lower of the 2
 Max. Pressure: 23mm 8.7 bars - 125 psi, 25/28mm 7.7 bars - 110 psi
 Max. Pressure: 25mm 7.7 bars - 110 PSI

REFERENCES WHEELS

F61801 KsyriumProExalith17 Ft



RIMS



&NBSP;:

1 V2405510 KIT FRONT RIM KSYRIUM PRO EXALITH

SPOKES

2 V2270601 KIT 9 FT KSY SLR/K125/PRO EXA SPK 282,5mm

HUB SHELLS

3 N/A HUB BODY
 4 M40078 FRONT HUB BEARINGS 6901 x 2
 5 M40759 ADJUSTING BEARING NUT + FRONT CAP
 6 32999801 FRONT AXLE KIT R-SYS/KSYRIUM SL/SLS 2013

TYRES

8 37805325 YksionProGripLinkWH

ADAPTERS

7 35117301 FT/RR FORK REST R-SYS/CC ULTIMATE > 2013/KSY PRO CARB T

MAVIC Ksyrium Pro Exalith

DELIVERED WITH

BR601 quick releases (V24 501 01 frt, V24 502 01 rear) 1	
BR601 quick releases (V24 501 01 frt, V24 502 01 rear) 1	
BR601 quick releases (V24 501 01 frt, V24 502 01 rear) 1	
BR601 quick releases (V24 501 01 frt, V24 502 01 rear) 1	
Exalith brake pads (V24 703 01 Shimano/Sram, V24 704 01 Campagnolo) 1	
Exalith brake pads (V24 703 01 Shimano/Sram, V24 704 01 Campagnolo) 1	
Exalith brake pads (V24 703 01 Shimano/Sram, V24 704 01 Campagnolo) 1	
Exalith brake pads (V24 703 01 Shimano/Sram, V24 704 01 Campagnolo) 1	
Multifonction adjustment wrench (325 423 01) 1	
Multifonction adjustment wrench (325 423 01) 1	
Multifonction adjustment wrench (325 423 01) 1	
Multifonction adjustment wrench (325 423 01) 1	
User guide	
User guide	
User guide	
User guide	

COMPATIBILITY

Freewheel: Shimano/Sram, convertible to Campagnolo with optional driver body	
Freewheel: Shimano/Sram, convertible to Campagnolo with optional driver body	
Freewheel: Shimano/Sram, convertible to Campagnolo with optional driver body	
Freewheel: Shimano/Sram, convertible to Campagnolo with optional driver body	
Front axle: Quick Release only	
Front axle: Quick Release only	
Front axle: Quick Release only	
Front axle: Quick Release only	
Rear axle: Quick Release only	
Rear axle: Quick Release only	
Rear axle: Quick Release only	
Rear axle: Quick Release only	

Specifications

RIMS

- Material : Mxstal
- Material : Mxstal
- Material : Mxstal
- Material : Mxstal
- Height : front 24mm, rear 26 asymmetrical

WHEEL HUB

- Rear body : aluminum
- Rear body : aluminum
- Rear body : aluminum
- Rear body : aluminum
- Front body : carbon with aluminum flanges

WHEEL WEIGHTS

Wheel weight 630