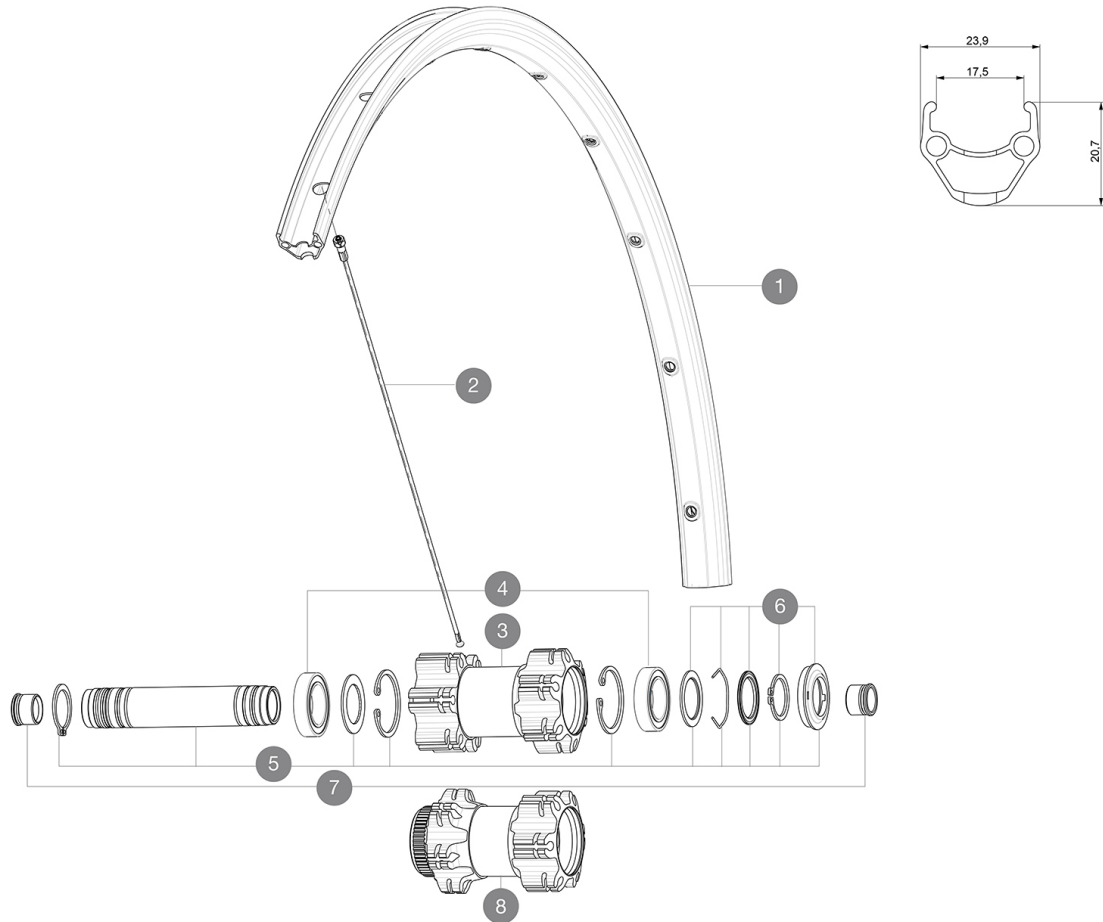


MAVIC Aksium Disc TA

ASTM CATEGORY 2 : road and offroad with jumps less than 15cm
Recommended weight limit : 120kg
Recommended tire sizes: 25 to 32 mm

REFERENCES WHEELS

| | | | |
|--------|-------------------------|--------|------------------|
| F68901 | Aksium D6B TA Ft 12x100 | F71631 | AksDCLTA12mmFWTS |
| F69001 | Aksium DCL TA Ft 12x100 | | |



RIMS



&NBSP;:

| | | |
|---|----------|--|
| 1 | V2290815 | KIT FRT/REAR RIM AKSIUM ONE DISC/AKSIUM DISC |
|---|----------|--|

SPOKES

| | | |
|---|----------|---|
| 2 | 36690301 | "KIT 12 FT/NDS XONE/XMAX - XA 29"/AKSIUM DISC 9 + 12 FT/AKS |
|---|----------|---|

HUB SHELLS

| | | |
|---|----------|--|
| 3 | N/A | HUB BODY |
| 4 | 99688501 | BEARING KIT 9/12/15 D6T HUB 20x32x7 6804 |
| 5 | V2371101 | KIT FRONT QRM AXLE 100mm/BOOST 110mm |
| 6 | V2370301 | KIT FRONT AUTO ADJUSTING PLAY 15mm AXLE |

ADAPTERS

| | | |
|---|----------|---------------------------|
| 7 | V2680201 | 12mmFtRoadAxleAdaptersQRM |
|---|----------|---------------------------|

MAVIC Aksium Disc TA

2017
FRONT

DELIVERED WITH

| | |
|---|---|
| BR101 quick releases (M40350 frt, M40351 rear road, M40352 rear MTB) 1 |  |
| Front 12 mm adapters (B4104201) 1 |  |
| Rear 12x142mm adapters for Instant Drive 360 (B49 896 01 for ID360 6T, B49 899 01 for ID360 CL) 1 |  |
| Rim tape | |
| User guide | |

COMPATIBILITY

| | |
|---|--|
| Freewheel: Shimano/Sram, convertible to Campagnolo and XD-R with optional driver bodies | |
| Front axle: convertible from 12mm thru axle to quick release or 15mm thru axle with optional adapters | |
| Rear axle: 12mm thru axle, convertible to Quick Release with optional adapters | |

Specifications

RIMS

- **Material** : S6000 Aluminum
- **Height** : 21 mm
- **Joint** : pinned
- **Drilling** : traditional with H2 reinforcement
Disc brake specific profile
- **Valve hole diameter** : 6.5 mm
- **Tire** : clincher
- **Internal width** : 17 mm
- **ETRTO size** : 622x17C

SPOKES

- **Material** : steel
- **Shape** : straight pull, round
- **Nipples** : steel, ABS
- **Count** : 24 front and rear
- **Lacing** : front and rear crossed 2

WHEEL HUB

- **Front and rear bodies** : aluminum
- **Axle material** : aluminum
- Sealed cartridge bearings
- **Freewheel** : Instant Drive 360
- **Front** : Quick release, 12 thru and 15 thru compatible
- **Rear** : 12x142 (convertible to quick release with optional adapters)

VERSIONS

- **Color** : Black only
- **Disc standard** : 6 Bolts or Center Lock(R)

WHEEL WEIGHTS

Wheel weight 905