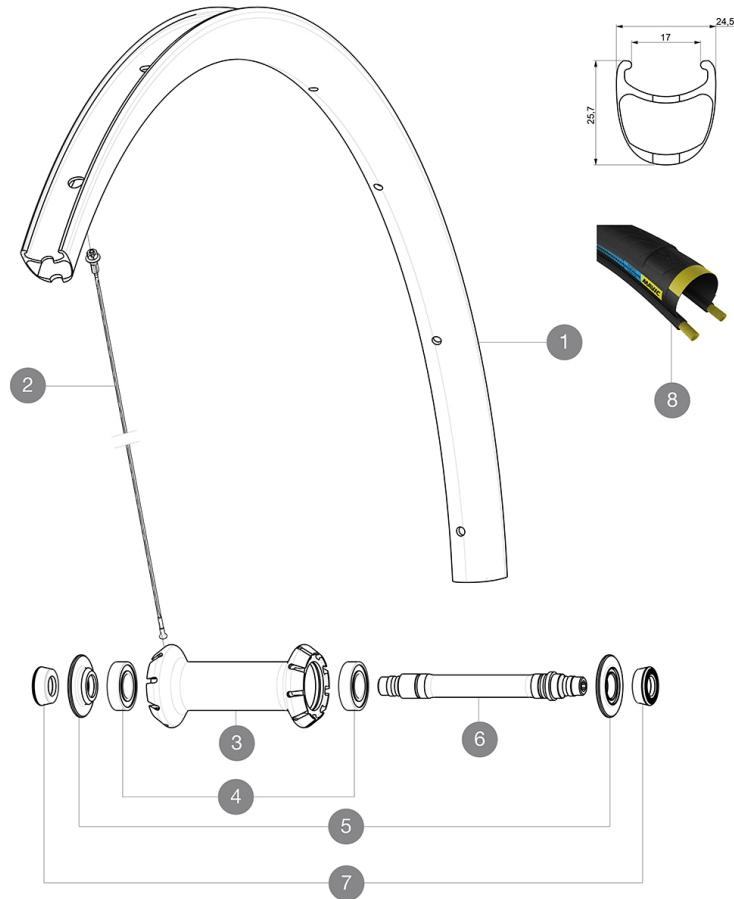


MAVIC **Ksyrium Pro Carbon SL C HR**

ASTM CATEGORY 1 : road only
 Recommended weight limit : 120kg
 Recommended tire sizes: 25 to 32 mm
 Max. Pressure: 25mm 7.7 bars - 110 PSI

REFERENCES WHEELS

F71131 KsyProCarbSLC HR Ft SV

**RIMS**VALVE HOLE \bar{A} (MM): 6,5 :

1	V2737310	KIT FRONT RIM KSYRIUM PRO CARBON SL UST
1	V2409410	KIT FRT RIM KSYRIUM PRO CARBON SL Clinch HR - while stock la
	V3720101	25mm UST Tape for 19 to 22mm Road Rims
	V2690101	KIT CARBON RIM TAPE 21x622mm - FOR CARBON RIM

SPOKES

2	V3663801	KIT 12 FRT KSYR PRO CARB SL C/UST/T & NDS COSMIC PRO CARB SL
2	V2273101	KIT 1 FT 285/1 FT 291/1 DS 273 KSY PRO CARB SL C/D/T HR SPK
2	V2271301	KIT 9 FT KSYRIUM PRO CARB SL C/T SPK 287mm - while stock las

HUB SHELLS

3	N/A	HUB BODY
3	N/A	HUB BODY
4	V2540201	KIT 2 FRONT BEARINGS 12x24x6 CERAMIC - while stock last
4	M40131	KIT BEARINGS FRONT 12x24x6 6901 (I/O track)
5	V2252501	FRONT SETTING NUT & DUST PROTECTOR MY16
6	30870001	FRONT AXLE ROAD RIM BRAKING QRM +

TYRES



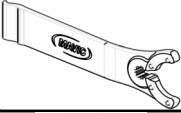

8	39435925	YksionProGripLink HR
---	----------	----------------------

ADAPTERS

7	35117301	FT/RR FORK REST R-SYS/CC ULTIMATE > 2013/KSY PRO CARB T
---	----------	---

MAVIC Ksyrium Pro Carbon SL C HR

DELIVERED WITH

BR601 quick releases (V24 501 01 frt, V24 502 01 rear) 1	
Carbon brake pads (V24 603 01 Shimano/Sram, V24 604 01 Campagnolo) 1 pair	
Rim tape	
Multifunction adjustment wrench (325 423 01) 1	
"Haute Route" special edition wheelbags 1	
User guide	

COMPATIBILITY

Freewheel: Shimano/Sram or Campagnolo, convertible to XD-R with optional driver body	
Front axle: Quick Release only	
Rear axle: Quick Release only	

Specifications

RIMS

- **Material** : 3K carbon fibers
- **Height** : 25mm
- **Drilling** : traditional
- **Brake track** : carbon with TgMAX technology
- **Brake track** : carbon
- **Valve hole diameter** : 6.5 mm
- **Tire** : clincher
- **Internal width** : 17 mm
- **ETRTO size** : 622x17C

SPOKES

- **Material** : steel
- **Shape** : straight pull, bladed, double butted
- **Nipples** : aluminum, ABS
- **Count** : front 18, rear 24
- **Lacing** : front radial, rear Isopulse

WHEEL HUB

- **Front and rear bodies** : aluminum
 - **Axle material** : aluminum
- High quality ceramic bearings by CeramicSpeed (R)
- **Freewheel** : Instant Drive 360

VERSIONS

- **Color** : Black only

WHEEL WEIGHTS

Wheel weight 615