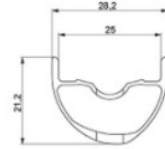
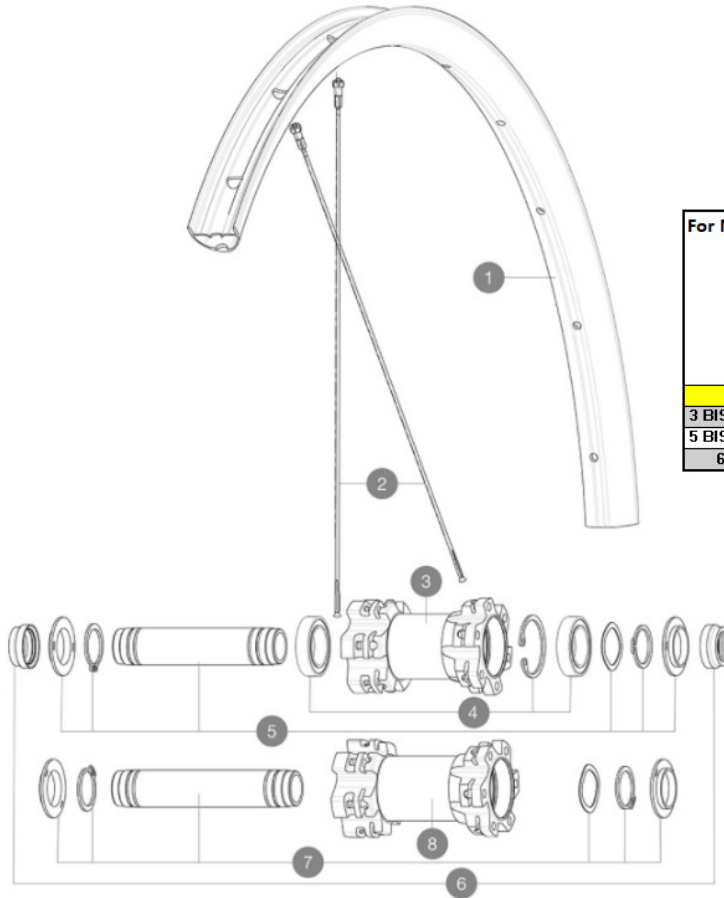


**ASTM CATEGORY 3 : CROSS COUNTRY AND TRAIL RIDING**

For a longer longevity of the wheel, Mavic recommends that the total weight supported by the wheels don't exceed 120kg, bike included  
Recommended tyre sizes: 46mm to 64mm (1.8" to 2.5")

**REFERENCES WHEELS**

|        |             |        |          |
|--------|-------------|--------|----------|
| F73811 | Xa27,5FtBst | F73311 | Xa27,5Ft |
|--------|-------------|--------|----------|



**For Monobloc Hub Only**

| N°            | PARTS    | REFERENCE | REFERENCE BOOST |
|---------------|----------|-----------|-----------------|
| 3 BIS / 8 BIS | HUB BODY | N/A       | N/A             |
| 5 BIS / 7 BIS | AXLE     | V2372301  | V2372401        |
| 6 BIS         | ADAPTORS | V2372501  |                 |

**RIMS**



&NBSP;:

|   |          |  |
|---|----------|--|
| 1 | V2318215 | KIT FRONT/REAR RIM XA/XA LIGHT 27,5" 25TSS |
|   | V2700101 | UST Tape 28mm for 25 to 27mm wide rims     |

**SPOKES**

|   |          |   |
|---|----------|---|
| 2 | 36690101 | "KIT 12 FT/NDS CROSSONE/CROSSMAX/XA 27,5"" SPK 278mm" |
|---|----------|---|

**HUB SHELLS**

|   |          |   |
|---|----------|---|
|   | N/A      | HUB BODY                                      |
| 4 | 99688501 | BEARING KIT 9/12/15 D6T HUB 20x32x7 6804      |
| 5 | V2371901 | KIT FRONT AXLE MTB L1 QRM AUTO 15x100mm       |
|   | V2372301 | KIT 100mm AXLE QRM AUTO MTB > 2019            |
| 7 | V2372001 | KIT FRONT AXLE MTB L1 QRM AUTO BOOST 15x110mm |
|   | V2372401 | KIT 110mm AXLE QRM AUTO MTB > 2019            |
|   | N/A      | HUB BODY                                      |

**ADAPTERS**

|   |          |  |
|---|----------|--|
| 6 | V2390801 | KIT 2 FORK RESTS FRONT AXLE MTB QRM AUTO |
|   | V2372501 | 15mm MTB Axle Cap QRM Auto From 2019     |

**DELIVERED WITH**

|   |  |
|---|--|
| UST valve and accessories<br>(129 838 01) |  |
| Tubeless rim tape                         |  |
| User guide                                |  |

**COMPATIBILITY**

|   |  |
|---|--|
| Freewheel: Shimano/Sram or XD   |  |
| Front axle: convertible from 15mm thru axle to Quick Release with optional adapters |  |
| Rear axle: 12mm thru axle, convertible to Quick Release with optional adapters      |  |

**Specifications****RIMS**

- **Material** : S6000 Aluminum
- **Joint** : SUP
- **Drilling** : traditional
- **Valve hole diameter** : 6.5 mm
- **Tyre** : UST Tubeless and tubetype
- **Internal width** : 25 mm
- **ETRTO size 27.5"** : 584x25TSS
- **ETRTO size 29"** : 622x25TSS

Hookless profile

Use with Mavic Tubeless Tape

**SPOKES**

- **Material** : steel
- **Shape** : straight pull, round
- **Count** : 24 front and rear
- **Lacing** : front and rear crossed 2

**WHEEL HUB**

- **Front and rear bodies** : aluminum
- **Axle material** : aluminum
- **Front bearings** : auto adjust sealed cartridge bearings (QRM Auto), Rear bearings sealed cartridge bearings (QRM)
- **Freewheel** : TS-2 alloy

**VERSIONS**

- **Color** : Black only
- **Disc standard** : 6 Bolts only
- **Hub width** : Boost (front 110, rear 148) or Non-Boost (front 100, rear 135/142)

**WHEEL WEIGHTS**

Weight Front 27.5": 850  
Weight Front 29": 895