

**MAVIC** *E-XA Elite 29*

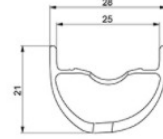
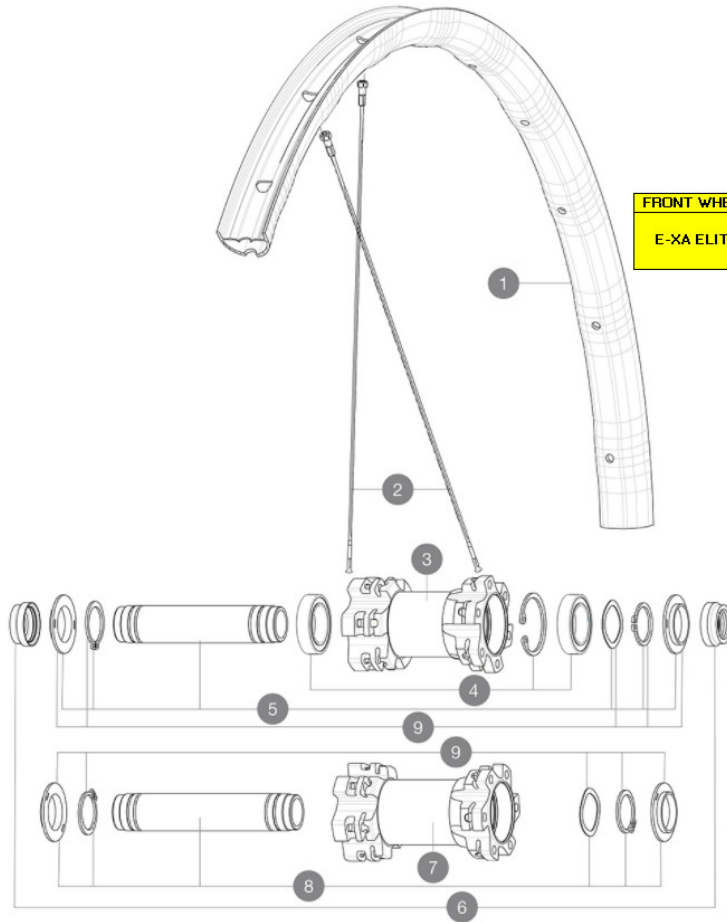
ASTM CATEGORY 3 : CROSS COUNTRY AND TRAIL RIDING

For a longer longevity of the wheel, Mavic recommends that the total weight supported by the wheels don't exceed 120kg, bike included

Recommended tyre sizes: 46mm to 64mm (1.8" to 2.5")

**REFERENCES WHEELS**

F80341 E-Xa Elite 29 Ft Bst



FRONT WHEEL	N°	PARTS	REFERENCE	REFERENCE BOOST
E-XA ELITE	3BIS / 7BIS	HUB BODY	N/A	N/A
	5BIS / 8BIS	AXLE	V2372301	V2372401
	6 BIS	ADAPTORS		V2372501

**RIMS**

&amp;nbsp;:

1	V2990115	KIT FT/RR RIM XA ELITE 29" 25mm BLACK TSS
	V2700101	UST Tape 28mm for 25 to 27mm wide rims

**SPOKES**

2	V2381401	KIT 12 FT/RR BUTTED SPOKES 296mm MTB 29"
---	----------	--

**HUB SHELLS**

3	N/A	HUB BODY
	N/A	HUB BODY
4	99688501	BEARING KIT 9/12/15 D6T HUB 20x32x7 6804
5	V2371901	KIT FRONT AXLE MTB L1 QRM AUTO 15x100mm
	V2372301	KIT 100mm AXLE QRM AUTO MTB > 2019
7	N/A	HUB BODY
	N/A	HUB BODY
8	V2372001	KIT FRONT AXLE MTB L1 QRM AUTO BOOST 15x110mm
	V2372401	KIT 110mm AXLE QRM AUTO MTB > 2019
9	V2372701	QRM AUTO FRONT AXLE ASSEMBLY KIT > 2018

**OPTIONS**

V2650301	TorqueCapsAdaptMTB QRMAuto Ft
----------	-------------------------------

**ADAPTORS**

6	V2390801	KIT 2 FORK RESTS FRONT AXLE MTB QRM AUTO
	V2372501	15mm MTB Axle Cap QRM Auto From 2019
	99694101	ADAPTER Ft 15 to 9mm QR

**MAVIC** *E-XA Elite 29***DELIVERED WITH**

UST valve and accessories (129 838 01)	
Tubeless rim tape	
User guide	

**COMPATIBILITY**

Freewheel: Shimano/Sram or XD	
-------------------------------	--

**Specifications****RIMS**

- **Material** : Mactal
- **Joint** : SUP
- **Drilling** : traditional
- **Weight reduction** : ISM 4D
- **Valve hole diameter** : 6.5 mm
- **Tyre** : UST Tubeless and tubetype
- **Internal width** : 25 mm
- **ETRTO size 27.5"** : 584x25TSS
- **ETRTO size 29"** : 622x25TSS

Hookless profile

Use with Mavic Tubeless Tape

**SPOKES**

- **Material** : steel
- **Shape** : straight pull, flat, double butted
- **Count** : 24 front and rear
- **Lacing** : front and rear crossed 2

**WHEEL HUB**

- **Front and rear bodies** : aluminum
  - **Axle material** : aluminum
- Auto adjust sealed cartridge bearings (QRM Auto)
- **Freewheel** : ITS-4 QRM Auto alloy

**VERSIONS**

- **Color** : Black only
- **Disc standard** : 6 Bolts only
- **Hub width** : Boost only (front 110, rear 148)

**WHEEL WEIGHTS**