

MAVIC *Comete Pro Carbon Disc*

ASTM CATEGORY 1 : road only

For a longer longevity of the wheel, Mavic recommends that the total weight supported by the wheels don't exceed 120kg, bike included

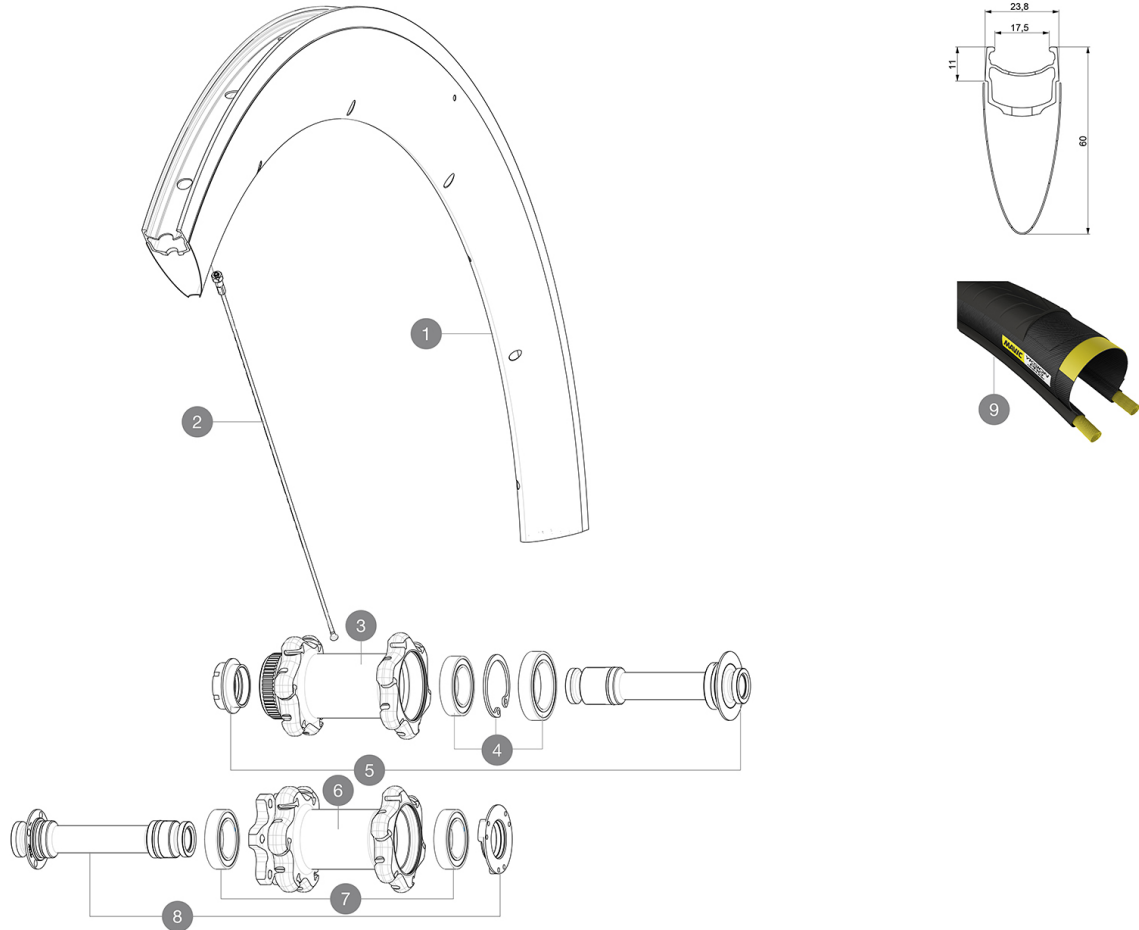
Recommended tyre sizes: 25 to 32 mm

Max. Pressure: 23mm 8.7 bars - 125 psi, 25/28mm 7.7 bars - 110 psi

REFERENCES WHEELS

F76241 ComProCD6B12X100FISV

F76291 ComProCDCL12x100FISV

**RIMS**

&NBSP;:

1	V2732210	KIT FRONT RIM COMETE PRO CARBON DISC
---	----------	--------------------------------------

SPOKES

2	V2279701	KIT 12 FT/NDS COMETE PRO CARB DISC SPK 294mm - while stock I
2	V3662101	KIT 12 FRT/NDS COMETE PRO CARBON Disc BUTTED AERO STAINLESS

HUB SHELLS

3	N/A	HUB BODY
4	99688601	BEARING KIT 9/15 DCL HUB 20x32x7 6804 + 25x37x7 6805
5	V2390701	KIT FRONT 12mm AXLE QRM+ CL
6	N/A	HUB BODY
7	V2560401	KIT 2 BEARINGS 17x28x7 + WAVED WASHER + CLIP
8	V2390601	KIT FRONT 12mm AXLE QRM+ 6B

OPTIONS

V2252301	KIT MY16 FRONT AXLE ROAD DISC 9/12/15 INT
V2252401	KIT MY16 FRONT AXLE ROAD DISC 9/12/15 CL

TYRES

9	37805325	YksionProGripLinkWH
---	----------	---------------------

ADAPTERS

B4104401	ADAPTER Ft 15mm QRM+
V2680301	"Kit Ft Road Adapter 12 >> 9mm"

MAVIC Comete Pro Carbon Disc

DELIVERED WITH

Front QR adapters (996 941 01 for MTB or B41 043 01 for road)	
Rear QR adapters for Instant Drive 360 (B49 894 01)	
Rim tape	
Rim tape	
Multifunction adjustment wrench (325 423 01)	
Multifunction adjustment wrench (325 423 01)	
User guide	
User guide	

COMPATIBILITY

Freewheel: Shimano/Sram, convertible to Campagnolo and XD-R with optional driver bodies	
Freewheel: Shimano/Sram, convertible to Campagnolo and XD-R with optional driver bodies	
Front axle: 12mm thru axle. Optional: Easily convertible to quick release with adequate adapters, convertible to 15mm with complete axle replacement	
Front axle: 12mm thru axle, easily convertible to quick release with included adapters. Convertible to 15mm with complete axle replacement	
Rear axle: 12mm thru axle, convertible to Quick Release with optional adapters (not available in Germany)	
Rear axle: 12mm thru axle, convertible to Quick Release with included adapters	

Specifications

RIMS

- **Material** : Mxaltal and 12K carbon fiber
- **Material** : Mxaltal and 12K carbon fiber
- **Height** : 60 mm
- **Height** : 60 mm
- **Joint** : SUP
- **Joint** : SUP
- **Drilling** : traditional
- **Drilling** : traditional
- Disc brake specific profile
- Disc brake specific profile
- **Weight reduction** : ISM
- **Weight reduction** : ISM
- **Valve hole diameter** : 6.5 mm
- **Valve hole diameter** : 6.5 mm
- **Tyre** : clincher
- **Tyre** : clincher
- **Internal width** : 17 mm
- **Internal width** : 17 mm
- **ETRTO size** : 622x17C
- **ETRTO size** : 622x17C

SPOKES

- **Material** : steel
- **Material** : steel
- **Shape** : straight pull, aero, double butted
- **Shape** : straight pull, aero, double butted
- **Nipples** : aluminum, ABS
- **Nipples** : aluminum, ABS
- **Count** : 24 front and rear
- **Count** : 24 front and rear
- **Lacing** : front crossed 2, rear Isopulse
- **Lacing** : front crossed 2, rear Isopulse

WHEEL HUB

- **Front and rear bodies** : aluminum
- **Front and rear bodies** : aluminum
- **Axle material** : aluminum
- **Axle material** : aluminum
- **Front bearings** : adjustable sealed cartridge bearings (QRM+), Rear bearings auto adjust sealed cartridge bearings (QRM Auto)
- **Front bearings** : adjustable sealed cartridge bearings (QRM+), Rear bearings auto adjust sealed cartridge bearings (QRM Auto)
- **Freewheel** : Instant Drive 360
- **Freewheel** : Instant Drive 360
- **Front** : Quick release, 12x100 and 15x100 through axle compatible
- **Rear** : Quick Release, 12x142 and 12x135 compatible

VERSIONS

- **Color** : Black only
- **Disc standard** : 6 Bolts or Center Lock(R)
- **Disc standard** : Center Lock(R) only

WHEEL WEIGHTS

885