

MAVIC **KSYRIUM S**

ASTM CATEGORY 2 : road and offroad with jumps less than 15cm

Maximum tyre pressure: 4.4bar/64PSI with a 28mm tyre - 2.6bar/38PSI with a 64mm tyre

For a longer longevity of the wheel, Mavic recommends that the total weight supported by the wheels doesn't exceed 120kg, bike included

Maximum tyre pressure: 6.75bar/97PSI with a 23mm tyre - 3.8bar/55PSI with a 62mm tyre

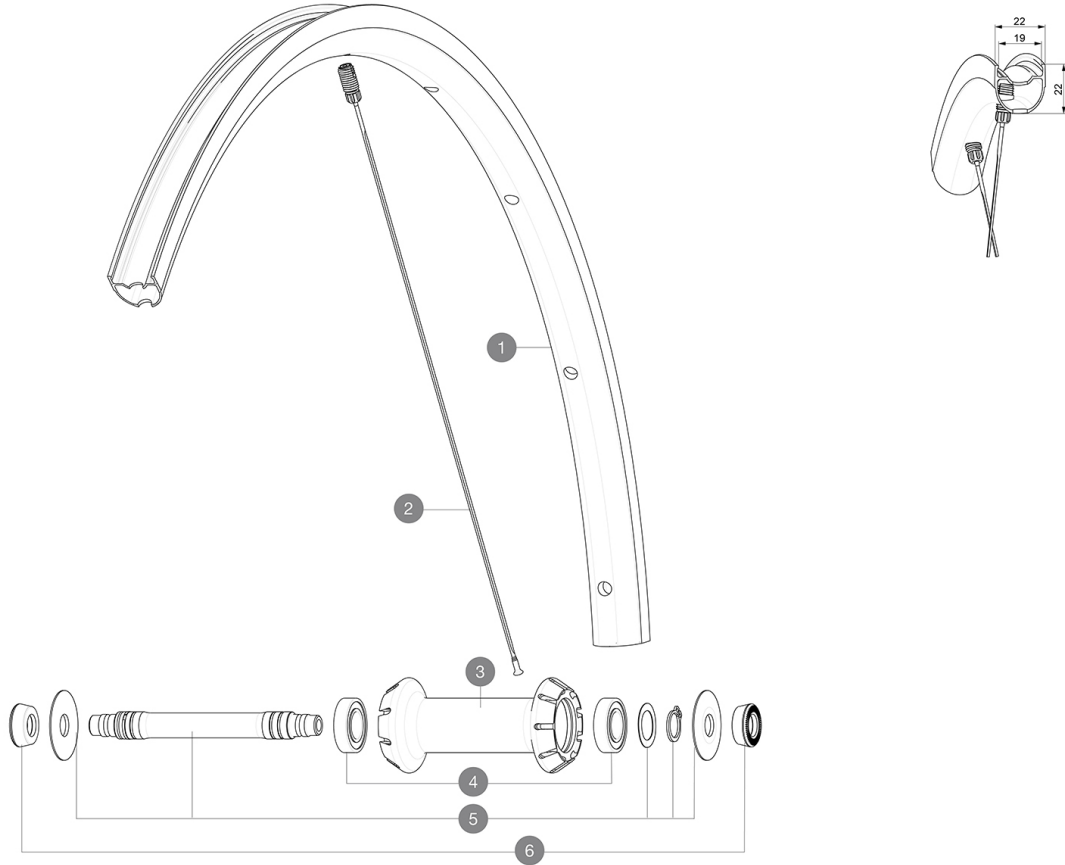
Recommended tyre sizes: 25 to 32 mm

Max. Pressure: see indication on wheel and tyre. If they differ, use the lowest of the 2

Maximum tyre size: width 62mm - pressure max. 3.8Bar/55PSI

REFERENCES WHEELS

F90191 KSYRIUM S RB 700 QR

**RIMS**

&NBSP::

1 V4093910 Kit Front rim Ksyrium S RB

SPOKES

2 V4164001 Kit 9 front Ksyrium S butted spoke 289mm M7/7

HUB SHELLS

3 N/A HUB BODY
4 M40078 FRONT HUB BEARINGS 6901 x 2
5 V2375801 Kit front axle RB for QRM auto hub + hoobster + wave washer

ADAPTERS

6 35117301 FT/RR FORK REST R-SYS/CC ULTIMATE > 2013/KSY PRO CARB T

MAVIC KSYRIUM S

DELIVERED WITH

| | |
|---|--|
| Mavic tyre sealant (rear wheel) (355 466 01) | |
| BR101 quick releases (M40350 frt, M40351 rear road, M40352 rear MTB) | |
| BR101 quick releases (M40350 frt, M40351 rear road, M40352 rear MTB) | |
| BR101 quick releases (M40350 frt, M40351 rear road, M40352 rear MTB) | |
| UST valve and accessories (129 838 01) | |
| UST valve and accessories (129 838 01) | |
| UST valve and accessories (129 838 01) | |
| Multifunction adjustment wrench (delivered with rear wheel) (325 423 01) | |
| User guide | |
| User guide | |
| User guide | |

COMPATIBILITY

| | |
|---|--|
| Freewheel: Shimano/Sram, convertible to Campagnolo and XD-R with optional driver bodies | |
| Freewheel: Shimano/Sram, convertible to Campagnolo and XD-R with optional driver bodies | |
| Front axle: Quick Release only | |
| Front axle: Quick Release only | |
| Rear axle: Quick Release only | |
| Rear axle: Quick Release only | |
| Freewheel body: convertible SRAM XD road (kit V2580101 sold separately) | |
| Freewheel body: convertible SHIMANO HG light road (kit V3850101 sold separately) | |
| Freewheel body: convertible SHIMANO MS (kit V3990101 sold separately) | |
| Freewheel body: convertible CAMPAGNOLO ED (kit V3440101 sold separately) | |
| Freewheel body: convertible CAMPAGNOLO N3W (kit V4270101 sold separately) | |
| Front axle: convertible from 15mm thru axle to Quick Release with adapters (delivered with non-boost wheel) | |
| FTS-L Shimano / Sram freewheel body ([30871101] - Delivered on the wheel) | |

Specifications

RIMS

- **Material** : Maxtal
- **Material** : Maxtal
- **Material** : Maxtal
- **Height** : 22 mm
- **Height** : 22 mm
- **Height** : 22 mm
- SUP
- SUP
- **Internal width** : 19 mm
- **Brake track** : UB Control
- **Brake track** : UB Control
- **Drilling** : Fore tapeless tubeless technology (front 18 holes and rear 24 holes)
- **Tire** : UST Tubeless and tubetype
- **Tire** : UST Tubeless and tubetype
- **Internal width** : 19 mm
- **Internal width** : 19 mm
- **Brake track** : UB Control
- **ETRTO size** : 622x19TC Road

WHEEL HUB

- **Body** : aluminum
- **Front and rear bodies** : aluminum
- **Axle material** : aluminum
- Instant Drive 360
- QRM Auto
- **Front and rear bodies** : aluminum
- **Axle material** : aluminum
- **Body design** : INFINITY
- **Axle material** : aluminum
- Hub available for Center Lock brake rotors only
- **Axles** : Front 15X110 (Boost) or 15x100 ; Rear 12X148 (Boost) or 12x142
- **Freewheel** : Shimano HG road
- **Freewheel** : FTS-L steel
- Infinity Hub
- Instant Drive 360
- QRM Auto

VERSIONS

WHEEL WEIGHTS

675