

## ASTM CATEGORY 5 : GRAVITY RIDING FOCUSED ON THE DESCENT

For a longer longevity of the wheel, Mavic recommends that the total weight supported by the wheels doesn't exceed 150kg, bike included

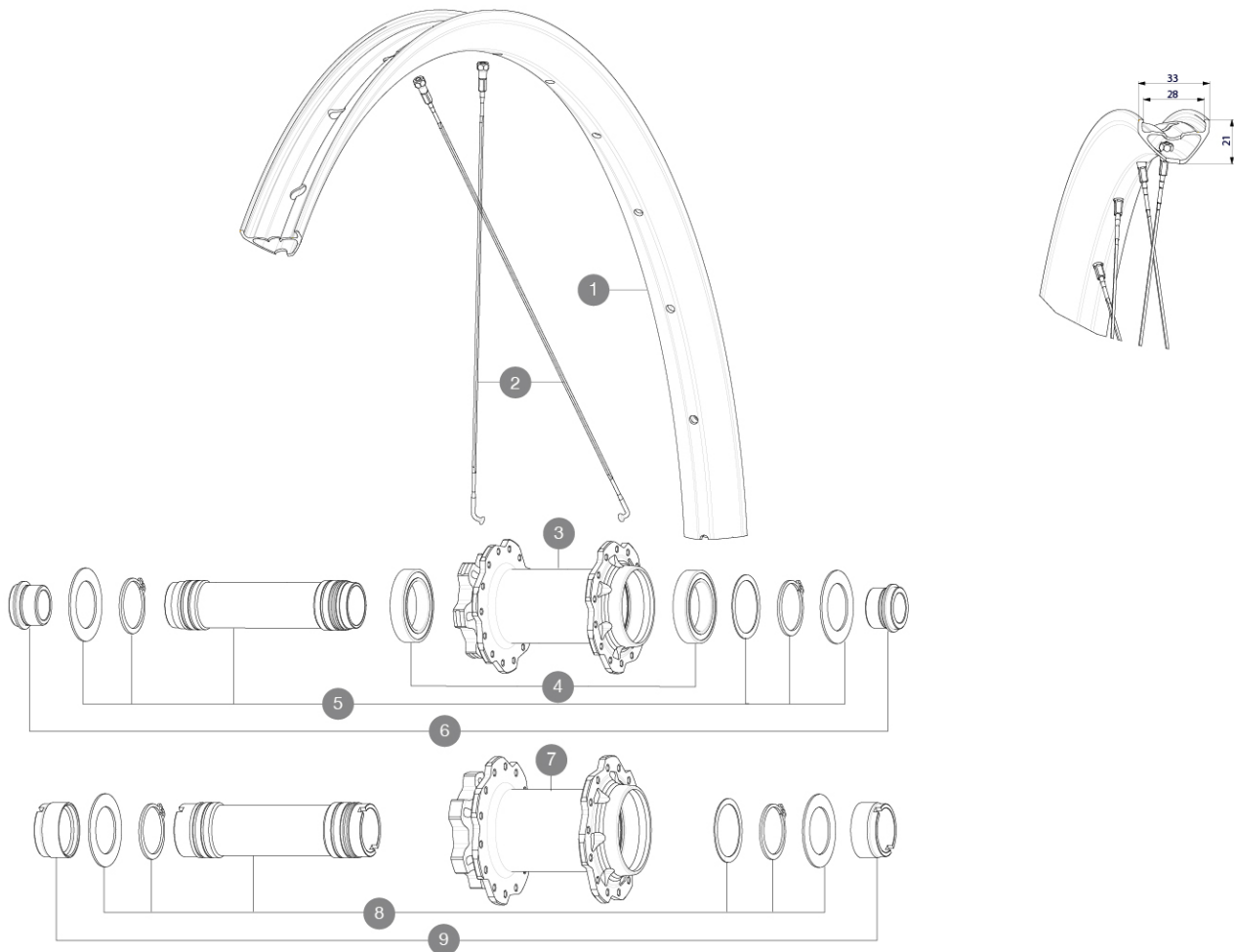
Maximum tyre pressure: 3.2bar/46PSI with a 47mm tyre - 2.85bar/41PSI with a 64mm tyre

Recommended tyre sizes: 60mm to 76mm (2.35" to 3.0")

## REFERENCES WHEELS

F92171 Deemax 29 21 Ft

F92181 DEEMAX INT 29 BST



## RIMS



&NBSP;:

1	V3766215	Kit Front/Rear rim Deemax 21 29"
	V2640101	UST RIM TAPE 32mm for 28 to 29mm wide rims

## SPOKES

2	V2387901	KIT 14 J BENT STEEL SPOKES 299mm DEEMAX DH 29" + black steel
---	----------	--

## HUB SHELLS

3	N/A	HUB BODY
4	M40179	FRONT BEARING 25x37x7 20mm AXLE
5	V2373701	KIT 20x110mm BOOST AXLE QRM AUTO MTB > 2019
7	N/A	HUB BODY
8	V2373801	KIT 20x110mm AXLE QRM AUTO MTB > 2019

## ADAPTERS

6	12982801	ADAPTER Ft 20 to 15mm
9	12982901	ADAPTER Ft 20x110mm

# MAVIC DEEMAX 29

## DELIVERED WITH

UST valve and accessories (129 838 01)	
UST valve and accessories (129 838 01)	
Pre-installed tubeless rim tape	
Pre-installed tubeless rim tape	
Multifunction adjustment wrench (delivered with rear wheel) (325 423 01)	
Multifunction adjustment wrench (delivered with rear wheel) (325 423 01)	
20X110mm boost adapters delivered with front Boost wheel	
20X110mm NON-boost adapters delivered with NON boost front wheel	
12X150 adapters delivered with 12X157 rear wheel	
20X110mm boost adapters delivered with front Boost wheel	
20X110mm NON-boost adapters delivered with NON boost front wheel	
12X150 adapters delivered with 12X157 rear wheel	
2 replacement spokes with each wheel	
2 replacement spokes with each wheel	

## COMPATIBILITY

Front axle: 15x110 Boost, convertible to 20x110 Boost thru axle with adapters	
Front axle: 15x110 Boost, convertible to 20x110 Boost thru axle with adapters	
Freewheel: Shimano HG9, XD or Micro Spline	
Freewheel: Shimano HG9, XD or Micro Spline	
Boost Axles : 15X110 ; 12X148	
Boost Axles : 15X110 ; 12X148	
DH spacing axles: 12X150 , 12x157 , 12X157-7speed	
DH spacing axles: 12X150 , 12x157 , 12X157-7speed	

## Specifications

### RIMS

- **Material** : Mxstal
- **Material** : Mxstal
- **Material** : S6000 Aluminum
- **Material** : S6000 Aluminum SUP
- **Drilling** : traditional
- **Drilling** : traditional
- **Internal width** : 28 mm
- **Internal width** : 28 mm
- **ETRTO size 27.5"** : 584x28TC
- **ETRTO size 29"** : 622x28TC
- **ETRTO size 29"** : 622x28TC

Asymmetrical rim design Update date: 2024-02-15

Black Shield treatment (protects your rim against impacts and scratches)

### WHEEL HUB

- Instant Drive 360
- QRM Auto
- **DH spacing axles** : 12X150 , 12x157 , 12X157-7speed available
- **Axles** : Front 15X110 Boost ; Rear 12X148 Boost
- Hub available with 6-bolt brake rotors
- **Axles** : Front 15X110 Boost ; Rear 12X148 Boost
- 24 teeth ratchet
- **DH spacing axles** : 12X150 , 12x157 , 12X157-7speed available
- Hub available with 6-bolt brake rotors
- Instant Drive 360
- QRM Auto

### VERSIONS

### WHEEL WEIGHTS

- Weight Front 27.5": 955
- Weight Front 29": 1005