

MAVIC **COSMIC SL 45 DISC MAHLE**

ASTM CATEGORY 2 : road and offroad with jumps less than 15cm

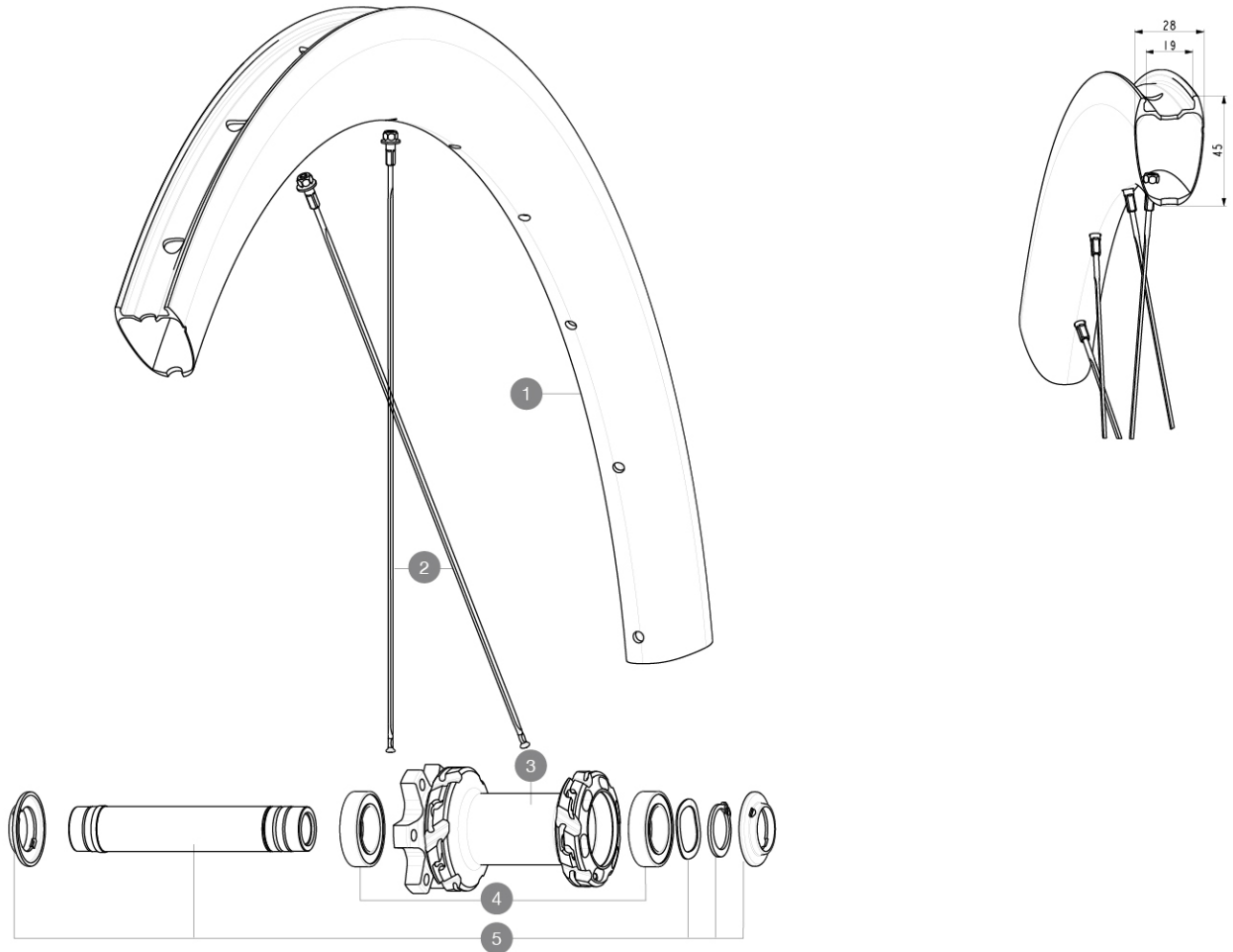
Maximum tyre pressure: 4.4bar/64PSI with a 28mm tyre - 2.6bar/38PSI with a 64mm tyre

For a longer longevity of the wheel, Mavic recommends that the total weight supported by the wheels doesn't exceed 120kg, bike included

Maximum tyre size: width 62mm - pressure max. 3.8Bar/55PSI

REFERENCES WHEELS

F91021 Cosmic SL 45 EBM Ft

**RIMS**

&NBSP::

1	V4092815	Kit Front/Rear rim Cosmic SL 45 Disc
	V2620101	UST RIM TAPE 25mm (for 21-24mm wide rim)

SPOKES

2	V4162901	Kit 12 Front/Rear Cosmic SL 45 Disc butted stainless spoke 2
---	----------	--

HUB SHELLS

3	N/A	HUB BODY
4	V2500901	KIT BEARINGS 18x30x7 + WAVED WASHER + CLIP
5	V2375501	Kit QRM auto front axle 100x12/15mm D6T

DELIVERED WITH

User guide	
Mavic tyre sealant (rear wheel) (355 466 01)	
Front QR adapters	
UST valve and accessories (129 838 01)	
Pre-installed tubeless rim tape	
User guide	
Pre-installed tubeless rim tape	
UST valve and accessories (129 838 01)	
Front QR adapters	
12 to 9mm rear adapter for quick release (V2510801)	

COMPATIBILITY

Instant Drive 360 freewheel technology The new Instant Drive 360 freewheel system is super light and fast to engage with only 9Å°. A large contactless rubber seal provides low friction, while a wide array of end caps makes it super versatile.	
FTS-L Shimano / Sram freewheel body ([30871101] - Delivered on the wheel)	

Specifications**RIMS**

- **Material** : 100% carbon fiber
- **Material** : 100% carbon fiber
- **Height** : 45 mm
- **Height** : 45 mm
- **Drilling** : traditional (front 24 holes and rear 32 holes)
- **Drilling** : traditional (front 24 holes and rear 32 holes)

Disc brake specific profile

Disc brake specific profile

- **ETRTO size** : 622x19TC
- **ETRTO size** : 622x19TC
- **Tire** : clincher
- **Tire** : clincher

SPOKES

- **Material** : steel
- **Material** : steel
- **Shape** : straight pull, round
- **Shape** : straight pull, round
- **Count** : 28 front and rear
- **Count** : 28 front and rear

Instant Drive 360 freewheel technology

WHEEL HUB

- **Body** : aluminum
 - **Body** : aluminum
 - **Disc standard** : 6 Bolts only
 - **Disc standard** : 6 Bolts only
 - **Axle material** : aluminum
 - **Axle material** : aluminum
- Hub available with 6-bolt brake rotors
Hub available with 6-bolt brake rotors

WHEEL WEIGHTS