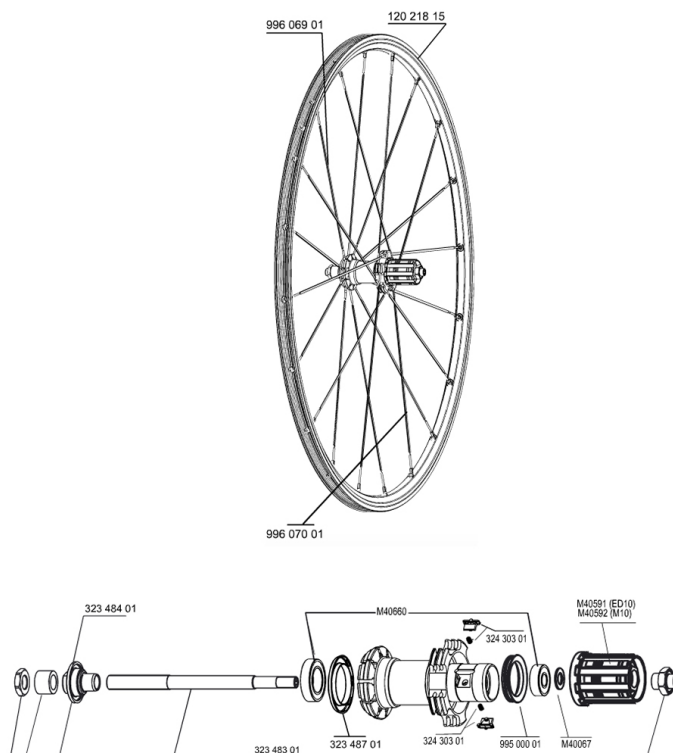


REFERENCES WHEELS

117794 CROSSRIDE UB 011 PR

117793 CROSSRIDE UB 011 REAR



RIMS



&NBSP;:

12021815 KIT FRONT/REAR CROSSRIDE UB 2011 RIM

SPOKES

99606901 KIT 10 FT/NDS CROSSRIDE UB 08 BLACK SPOKE
99607001 KIT 10 DS CROSSRIDE UB 08 BLACK SPOKE 276mm

HUB SHELLS

32348301 REAR AXLE QRM MTB UB
99500001 FTSL/FTSX FREEHUB BODY SEAL
M40067 INTERNAL FREEWHEEL SPACER FTSL/FTSX
32348701 HUB CAP XMAX END/KSY EQ/COSMOS
M40660 REAR HUB 608+6001 BEARINGS
M40592 FTSL FREEWHEEL BODY M10
32348401 EXPANSIBLE BEARINGS SUPPORT
32430301 FTSX PAWLS KIT (MTB WHEELS)
M40591 FTSL FREEWHEEL BODY ED10

MAVIC *Crossride UB***DELIVERED WITH**

BR101 quick releases	
BR101 quick releases	
Rim tape	
Rim tape	
User guide	
User guide	

Specifications**RIMS**

- **Material** : 6106 Aluminum
- **Material** : 6106 Aluminum
- **Color** : black anodized
- **Joint** : pinned
- **Drilling** : traditional
- **Joint** : pinned
- **Brake track** : UB Control
- **Drilling** : traditional
- **Eyelet** : H2 technology
- **Brake track** : UB Control
- **Valve hole diameter** : 8,5 mm with pop off reducer
- **Tyre** : tubetype
- **Internal width** : 17 mm
- **Valve hole diameter** : 8,5 mm with pop off reducer
- **ETRTO size** : 559x17C
- **Tyre** : tubetype
- **Internal width** : 17 mm
- **ETRTO size** : 559x17C
- **Recommended tyre sizes** : 1.5 to 2.3
- **Recommended tyre sizes** : 1.5 to 2.3

SPOKES

- **Material** : steel
- **Material** : steel
- **Shape** : straight pull, bladed
- **Shape** : straight pull, bladed
- **Color** : black
- **Nipples** : brass, ABS
- **Count** : 20 front and rear
- **Nipples** : brass, self lock concept
- **Count** : 20 front and rear
- **Lacing** : radial front and rear non-drive side, crossed 2 rear drive side
- **Lacing** : radial front and rear non-drive side, crossed 2 rear drive side

WHEEL HUB

- **Front and rear bodies** : aluminum
- **Front and rear bodies** : aluminum
- **Color** : black
- **Front and rear axle material** : steel QRM
- **Front and rear axle material** : steel FTS-X steel QRM
- **Front and rear axle material** : steel FTS-X steel QRM

WHEEL WEIGHTS

920