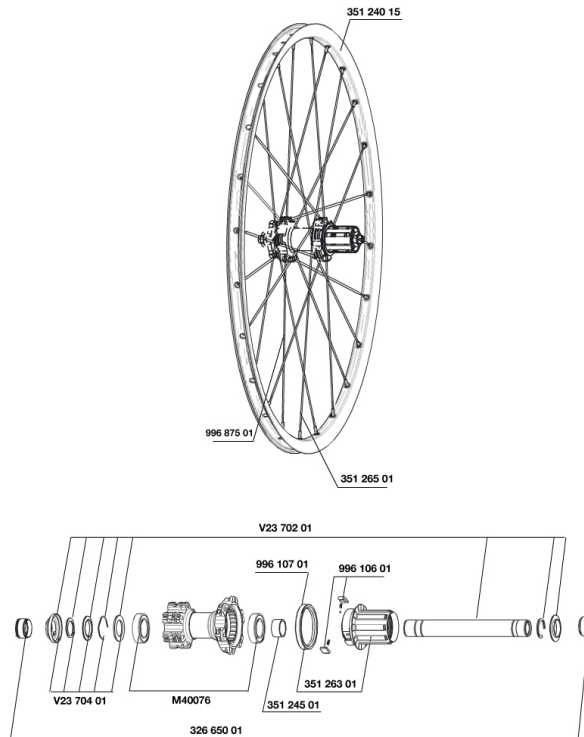


REFERENCES WHEELS

325521 CROSSRIDE D013 12x142 REAR



RIMS



&NBSP;:

35124015	"KIT FRONT/REAR CROSSRIDE DISC 26"" 2013 RIM"
----------	---

SPOKES

35126501	"KIT 12 DS CROSSRIDE 13 26"" 15/12 SPK 261mm"
99687501	KIT 12 CROSSRIDE DISC STEEL BLK SPOKES 263mm

HUB SHELLS

32665001	135>142mmRRAdaptersRedXRide012
99610601	PAWLS KIT FOR ITS-4 (OR TS-2)
V2371201	KIT REAR QRM AXLE 135-142 / BOOST 148mm
35124501	SET OF 3 REAR AXLE/FREEWHEEL BODY SPACERS MTB L1
V2370401	KIT REAR AUTO ADJUSTING PLAY 12mm AXLE
35126301	TS-2 FREEWHEEL BODY + SEAL 2013 (NO PAWLS) - while stock las
99610701	ITS-4 FREEWHEEL SEAL
M40076	HUB BEARINGS 17x30x7 6903 x 2

MAVIC *Crossride***DELIVERED WITH**

Rim tape	
Rim tape	
Rear 12x142mm adapters	
Rear 12x142mm adapters	
Valve reducer	
Valve reducer	
User guide	
User guide	

Specifications**RIMS**

- **Material** : 6106 Aluminum
- **Material** : 6106 Aluminum
- **Color** : black anodized
- **Joint** : pinned
- **Drilling** : traditional
- **Joint** : pinned
- Disc brake specific profile
- **Drilling** : traditional
- **Eyelet** : H2 technology
- Disc brake specific profile
- **Valve hole diameter** : 8,5 mm with pop off reducer
- **Tyre** : tubetype
- **Internal width** : 19 mm
- **Valve hole diameter** : 8,5 mm with pop off reducer
- **Tyre** : tubetype
- **ETRTO size** : 559x19C
- **Internal width** : 19 mm
- **ETRTO size 650b/27.5"** : 584x19c
- **ETRTO size 29"** : 622x19C
- **ETRTO size** : 559x19C
- **Recommended tyre sizes** : 1.5 to 2.3
- **Recommended tyre sizes** : 1.5 to 2.3

SPOKES

- **Material** : steel
- **Material** : steel
- **Shape** : straight pull, bladed
- **Shape** : straight pull, bladed
- **Color** : black
- **Nipples** : brass, ABS
- **Nipples** : brass, self lock concept
- **Count** : 24 front and rear
- **Lacing** : front and rear crossed 2
- **Count** : 24 front and rear
- **Lacing** : front and rear crossed 2

WHEEL HUB

- **Front and rear bodies** : aluminum
- **Front and rear bodies** : aluminum
- **Color** : black
- **Front and rear axle material** : aluminum
- **Front and rear axle material** : aluminum
- QRM
- TS-2 alloy
- QRM
- TS-2 alloy

WHEEL WEIGHTS

- Wheel weight
- Weight Rear 26" : 965
- Weight Rear 27.5" : 1020
- Weight Rear 29" : 1075