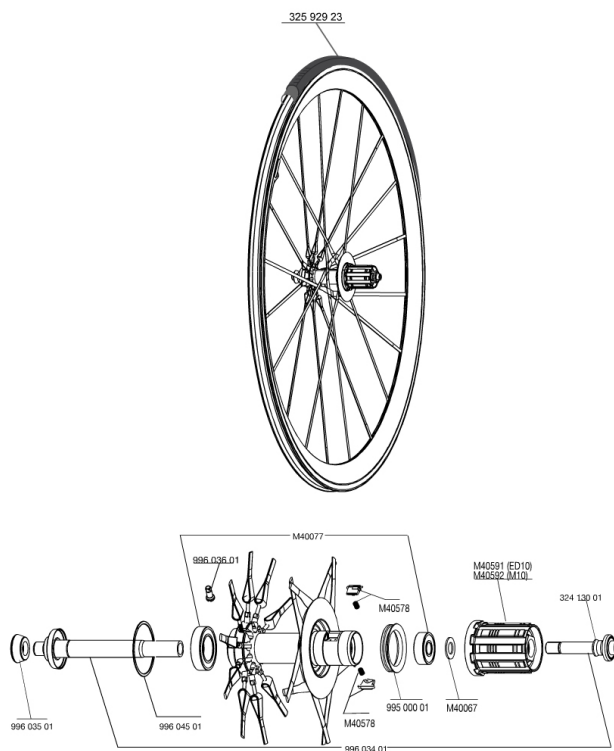


REFERENCES WHEELS

326537 C CARB ULTIMATE 013 M10 WTS

326538 C CARB ULTIMATE 013 ED11 WTS



SPOKES

99603601	KIT 10 NIPPLES COSMIC CARBON ULTIMATE
----------	---------------------------------------

HUB SHELLS

99604501	SET OF 2 R.HUB RING COS.CARB.ULTIMATE
M40077	REAR HUB 608+6901 BEARINGS
M40592	FTSL FREEWHEEL BODY M10
M40067	INTERNAL FREEWHEEL SPACER FTSL/FTSX
99603501	R.FORK SUPPORT COS.CARB.ULTIMATE < 2014
32413001	REAR AXLE BOLT M11/ED11
M40591	FTSL FREEWHEEL BODY ED10
99603401	REAR AXLE COS.CARBONE ULTIMATE
99500001	FTSL/FTSX FREEHUB BODY SEAL
M40578	FTSL PAWLS KIT (ROAD WHEELS)

TYRES

32592923	YksionProSSCPowerLinkTub 23
----------	-----------------------------

MAVIC *Cosmic Carbone Ultimate***DELIVERED WITH**

BR601 Titanium quick releases	
Wheelbags	
Carbon brake pads	
Valve extender	
Computer magnet (front wheel)	
Multifunction adjustment wrench	
User guide	

Specifications**RIMS**

- **Material** : 100% woven 12K carbon fiber
- **Color** : carbon
- **Height** : 40 mm, rear asymmetrical
- **Drilling** : no holes, spokes molded to the rim
- **Brake track** : carbon
- **Valve hole diameter** : 6.5 mm
- **Tyre** : tubular
- **ETRTO size** : 28" tubular
- **Recommended tyre sizes** : 19 to 28 mm

SPOKES

- **Material** : unidirectional carbon fiber
- **Shape** : R2R
- **Color** : carbon
- **Nipples** : brass, ABS
- **Count** : 20 front and rear
- **Lacing** : crossed 2 front and rear drive side, radial non drive side

WHEEL HUB

- **Front body** : Front 100% carbon
 - **Rear body** : aluminum
 - **Color** : front carbon, rear black
 - **Front axle material** : aluminum
 - **Rear axle material** : titanium and aluminum
- QRM+
FTS-L steel

WHEEL WEIGHTS

Wheel weight 665