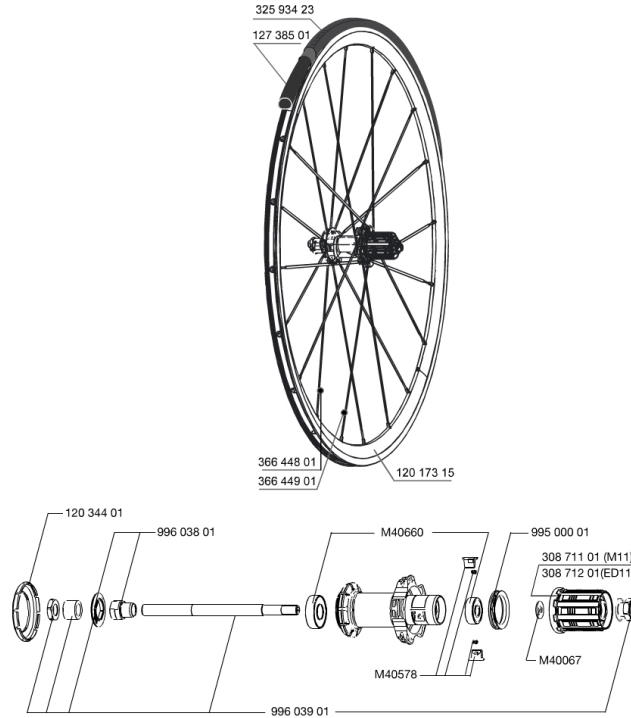


## REFERENCES WHEELS

328207 COSMIC ELITE S ED11 WTS

328206 COSMIC ELITE S M11 WTS



## RIMS



&NBSP;:

1	12017315	KIT FRONT/REAR COSMIC ELITE RIM - while stock last
---	----------	--

## SPOKES

2	36644801	KIT 10 FT/NDS COSMIC ELITE S / UST BLK SPK 276mm
3	V3660101	KIT 10 DS COSMIC ELITE UST BUTTED SPOKE 292mm
3	36644901	KIT 10 AERO DS COSMIC ELITE S / UST BLK SPK 292mm - while st

## HUB SHELLS

4	N/A	HUB BODY
5	M40660	REAR HUB 608+6001 BEARINGS
6	99500001	FTSL/FTSX FREEHUB BODY SEAL
7	M40067	INTERNAL FREEWHEEL SPACER FTSL/FTSX
8	30871101	FTS-L ROAD FREEWHEEL BODY HG11 8/9 compatible
9	30871201	FTS-L ROAD FREEWHEEL BODY ED11 8/9 compatible
10	99603901	REAR AXLE QRM ROAD 2008
11	99603801	SHORT EXPENSIBLE BEARING SUPPORTS > 2008
12	12034401	KIT 3 HUB CAPS AERO 10 SLOTS BLACK
13	M40578	FTSL PAWLS KIT (ROAD WHEELS)

**MAVIC** *Cosmic Elite S***DELIVERED WITH**

BR101 quick releases	
Rim tape	
User guide	

**Specifications****RIMS**

- **Material** : 6106 Aluminum
- **Height** : 30 mm
- **Joint** : SUP
- **Drilling** : traditional
- **Brake track** : UB Control
- **Valve hole diameter** : 6.5 mm
- **Tyre** : clincher
- **ETRTO size** : 622x15C
- **Recommended tyre sizes** : 19 to 32 mm

**SPOKES**

- **Material** : steel
- **Shape** : straight pull, bladed
- **Nipples** : brass, ABS
- **Count** : 20 front and rear
- **Lacing** : radial front and rear non-drive side, crossed 2 rear drive side

**WHEEL HUB**

- **Axle material** : steel
- Sealed cartridge bearings
- **Freewheel** : FTS-L steel

**WHEEL WEIGHTS**

Wheel weight 955