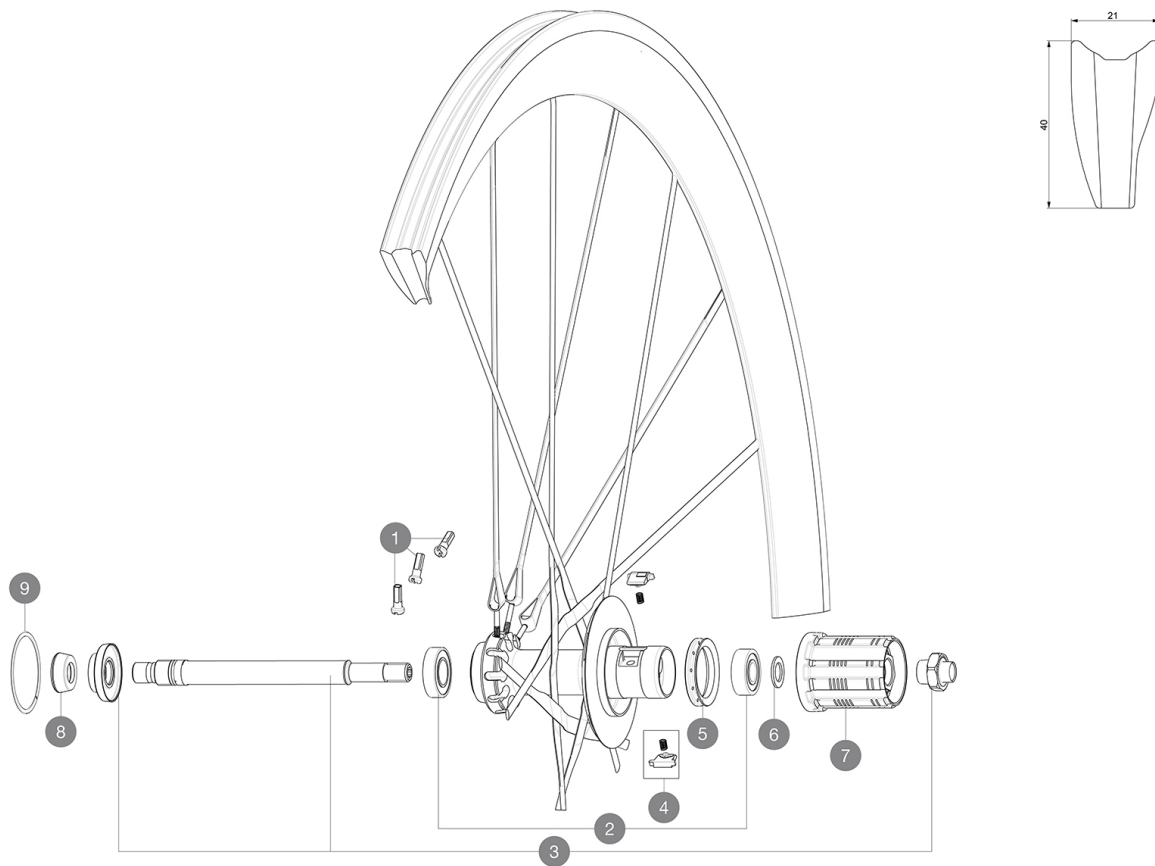


REFERENCES WHEELS



SPOKES

1	99603601	KIT 10 NIPPLES COSMIC CARBON ULTIMATE
----------	----------	---------------------------------------

HUB SHELLS

2	33000001	REAR HUB B9+6901 BEARINGS 2013
3	V2250801	KIT REAR AXLE COSMIC ULTIMATE
4	M40578	FTSL PAWLS KIT (ROAD WHEELS)
5	99500001	FTSL/FTSX FREEHUB BODY SEAL
6	30872801	SET OF 3 INTERNAL SILVER SPACERS 9mm FTS-L
7	30871201	FTS-L ROAD FREEWHEEL BODY ED11 8/9 compatible
7	30871101	FTS-L ROAD FREEWHEEL BODY HG11 8/9 compatible
9	99604501	SET OF 2 R.HUB RING COS.CARB.ULTIMATE

ADAPTERS

8	35117301	FT/RR FORK REST R-SYS/CC ULTIMATE > 2013/KSY PRO CARB T
----------	----------	---

MAVIC Cosmic Carbone Ultimate

DELIVERED WITH

BR601 Titanium quick releases	
Wheelbags	
Carbon brake pads	
Computer magnet (front wheel)	
Multifonction adjustment wrench	
User guide	

Specifications

RIMS

- **Material** : 100% woven 12K carbon fiber
- **Height** : 40 mm
- **Drilling** : no holes, spokes molded to the rim
- **Brake track** : carbon with TgMAX technology
- **Valve hole diameter** : 6.5 mm
- **Tyre** : tubular
- **ETRTO size** : 28" tubular
- **Recommended tyre sizes** : 19 to 28 mm

SPOKES

- **Material** : unidirectional carbon fiber
- **Shape** : R2R
- **Nipples** : brass, ABS
- **Count** : 20 front and rear
- **Lacing** : crossed 2 front and rear drive side, radial non drive side

WHEEL HUB

- **Front body** : Front 100% carbon
- **Rear body** : aluminum
- **Axle material** : aluminum
- Adjustable sealed cartridge bearings
- **Freewheel** : FTS-L steel

WHEEL WEIGHTS

665