

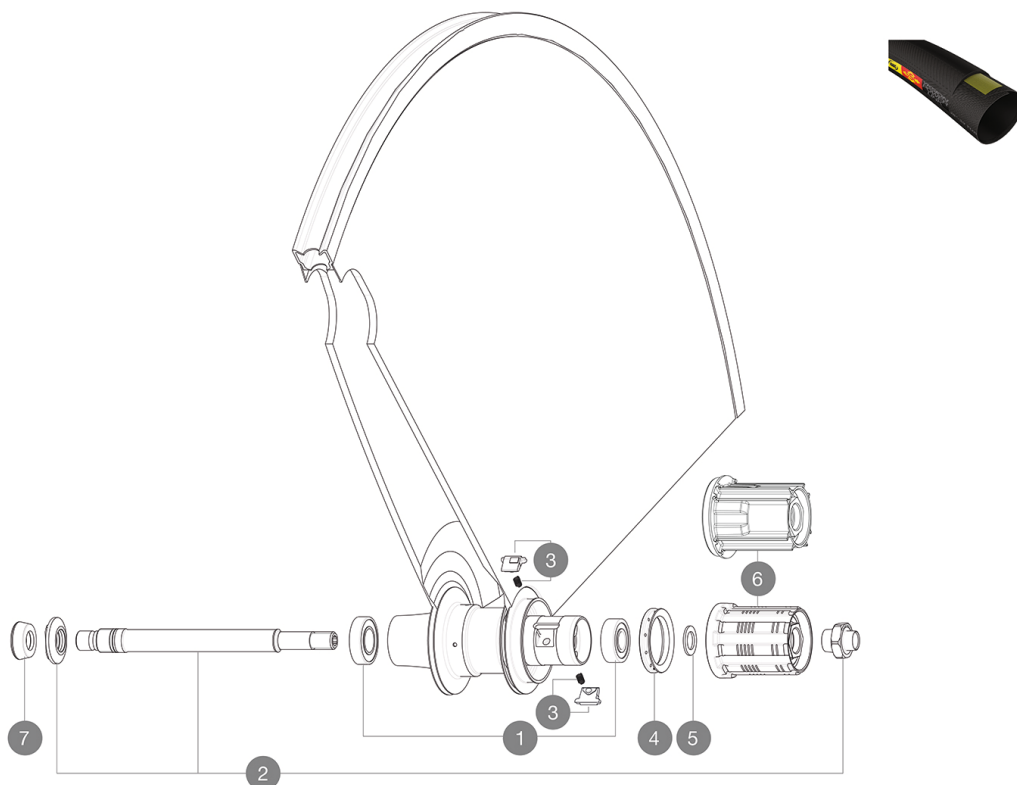
MAVIC Comète Road Tubular

1
2016
REAR

ASTM CATEGORY 1 : road only
Recommended weight limit : 120kg
Recommended tyre sizes: 21 to 28 mm
Max. Pressure: 23mm 8.7 bars - 125 psi
Max. Pressure: see indication on wheel and tyre. If they differ, use the lower of the 2

REFERENCES WHEELS

R56801 COMETE ROAD 23 RB 700 QR ED11 R99361 COMETE ROAD 23 RB 700 QR ED11



HUB SHELLS

1	33000001	REAR HUB B9+6901 BEARINGS 2013
2	V2250701	KIT REAR AXLE COMETE ROAD
3	M40578	FTSL PAWLS KIT (ROAD WHEELS)
4	99500001	FTSL/FTSX FREEHUB BODY SEAL
5	30872801	SET OF 3 INTERNAL SILVER SPACERS 9mm FTS-L
6	30871101	FTS-L ROAD FREEWHEEL BODY HG11 8/9 compatible
6	30871201	FTS-L ROAD FREEWHEEL BODY ED11 8/9 compatible

TYRES

8	37804623	Yksion ProPowerTub SSC
---	----------	------------------------

ADAPTERS

7	35117301	FT/RR FORK REST R-SYS/CC ULTIMATE > 2013/KSY PRO CARB T
---	----------	---

MAVIC Comète Road Tubular

 2016
 REAR

DELIVERED WITH

BR601 Quick Release	
Wheelbag	
BR601 Quick Release	
Exalith brake pads	
BR601 Quick Release	
BR601 Quick Release	
BR601 Quick Release	
BR601 Quick Release	
Valve extender	
Exalith brake pads	
Exalith brake pads	
Exalith brake pads	
Exalith brake pads	
Exalith brake pads	
Multifonction adjustment wrench	
User guide	
Valve extender	
Valve extender	

COMPATIBILITY

Freewheel: Shimano/Sram, convertible to Campagnolo with optional driver body	
Freewheel: Shimano/Sram, convertible to Campagnolo with optional driver body	
Freewheel: Shimano/Sram, convertible to Campagnolo with optional driver body	
Freewheel: Shimano/Sram or Campagnolo, convertible to XD-R with optional driver body	
Freewheel: Shimano/Sram, convertible to Campagnolo with optional driver body	
Freewheel: Shimano/Sram, convertible to Campagnolo with optional driver body	
Front axle: Quick Release only	
Front axle: Quick Release only	
Front axle: Quick Release only	
Front axle: Quick Release only	
Front axle: Quick Release only	
Front axle: Quick Release only	
Rear axle: Quick Release only	
Rear axle: Quick Release only	
Rear axle: Quick Release only	
Rear axle: Quick Release only	
Rear axle: Quick Release only	