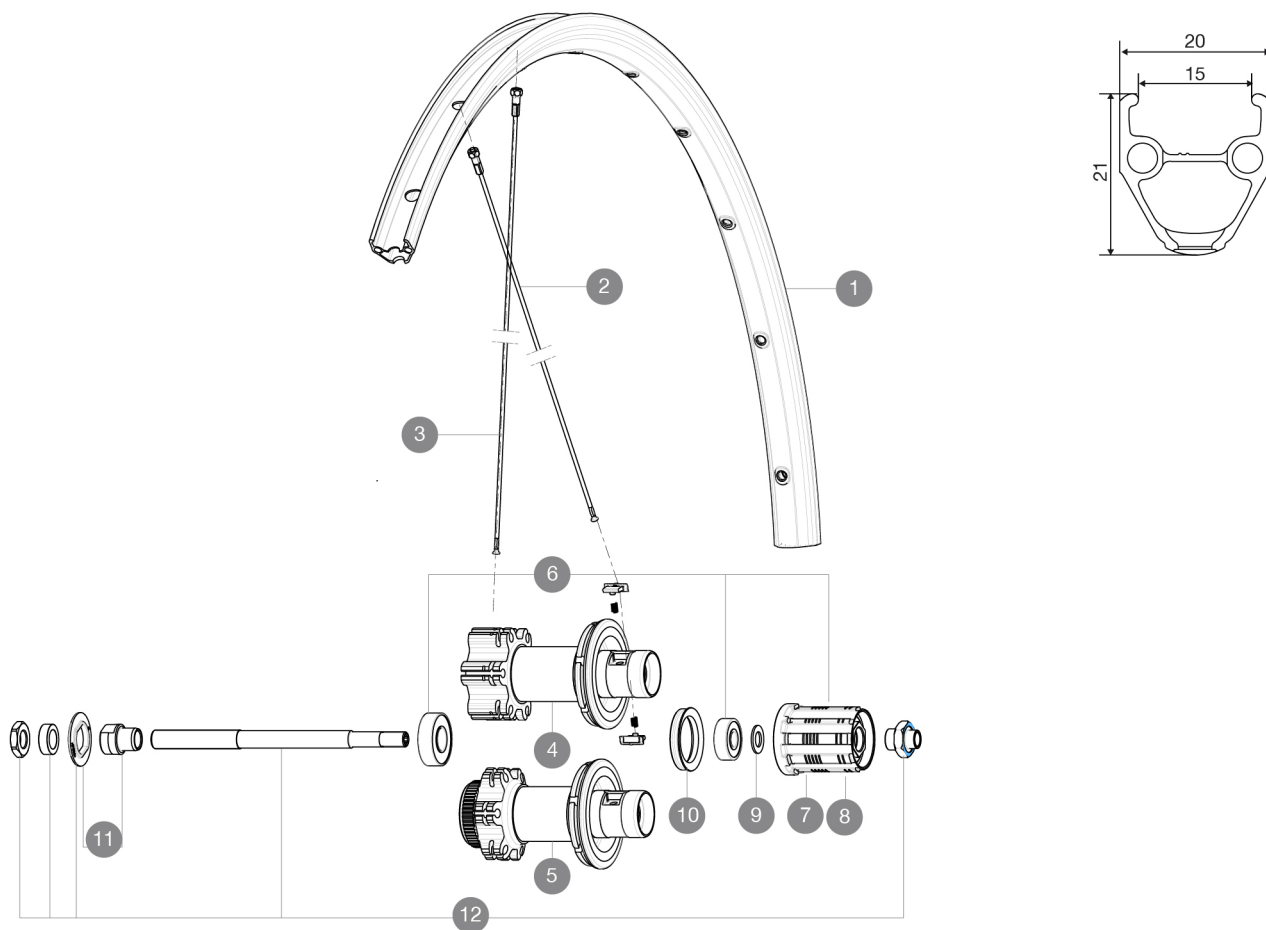


ASTM CATEGORY 2 : road and offroad with jumps less than 15cm  
Recommended weight limit : 120kg  
Recommended tyre sizes: 25 to 52 mm

## REFERENCES WHEELS

R59501 AksiumDiscCL16Rr

R59201 AksiumDiscNT16Rr



## RIMS



VALVE HOLE  $\bar{A}$  (MM): 6,5 :

1 V2290815 KIT FRT/REAR RIM AKSIUM ONE DISC/AKSIUM DISC

## SPOKES

2 36690401 KIT 12 DS XONE/XRIDE FTSX/AKSIUM DISC 9 SPK 294mm  
3 36690301 "KIT 12 FT/NDS XONE/XMAX - XA 29"/AKSIUM DISC 9 + 12 FT/AKS

## HUB SHELLS

4	N/A	HUB BODY
6	M40660	REAR HUB 608+6001 BEARINGS
7	30871101	FTS-L ROAD FREEWHEEL BODY HG11 8/9 compatible
8	30871201	FTS-L ROAD FREEWHEEL BODY ED11 8/9 compatible
9	M40067	INTERNAL FREEWHEEL SPACER FTSL/FTSX
10	99500001	FTSL/FTSX FREEHUB BODY SEAL
11	32348401	EXPANSIBLE BEARINGS SUPPORT
12	32348001	MTB DISC REAR AXLE QRM MTB DISC

**MAVIC** *Aksium Disc***DELIVERED WITH**

BR101 quick releases	
Rim tape	
Front QR adapters	
BR101 quick releases	
Front QR adapters	
User guide	
Rim tape	
User guide	

**Specifications****RIMS**

- **Material** : S6000 Aluminum
  - **Height** : 21 mm
  - **Joint** : pinned
  - **Drilling** : traditional with H2 reinforcement
- Disc brake specific profile
- **Valve hole diameter** : 6.5 mm
  - **Tyre** : clincher
  - **Material** : S6000 Aluminum
  - **Height** : 21 mm
  - **ETRTO size** : 622x17C
  - **Recommended tyre sizes** : 25 to 52 mm
  - **Joint** : pinned
  - **Drilling** : traditional with H2 reinforcement

- Disc brake specific profile
- **Valve hole diameter** : 6.5 mm
  - **Tyre** : clincher
  - **ETRTO size** : 622x17C

**SPOKES**

- **Material** : steel
- **Shape** : straight pull, round
- **Nipples** : brass, ABS
- **Count** : 24 front and rear
- **Lacing** : front and rear crossed 2
- **Material** : steel
- **Shape** : straight pull, round
- **Nipples** : steel, ABS
- **Count** : 24 front and rear
- **Lacing** : front and rear crossed 2

**WHEEL HUB**

- **Front and rear bodies** : aluminum
  - **Axle material** : front aluminum, rear steel
- Sealed cartridge bearings
- **Freewheel** : FTS-L steel
  - **Front and rear bodies** : aluminum
  - **Front** : convertible to 15mm through axle
  - **Axle material** : front aluminum, rear steel
- Sealed cartridge bearings
- **Freewheel** : FTS-L steel
  - **Front** : convertible to 15mm through axle

**WHEEL WEIGHTS**

Wheel weight 1075