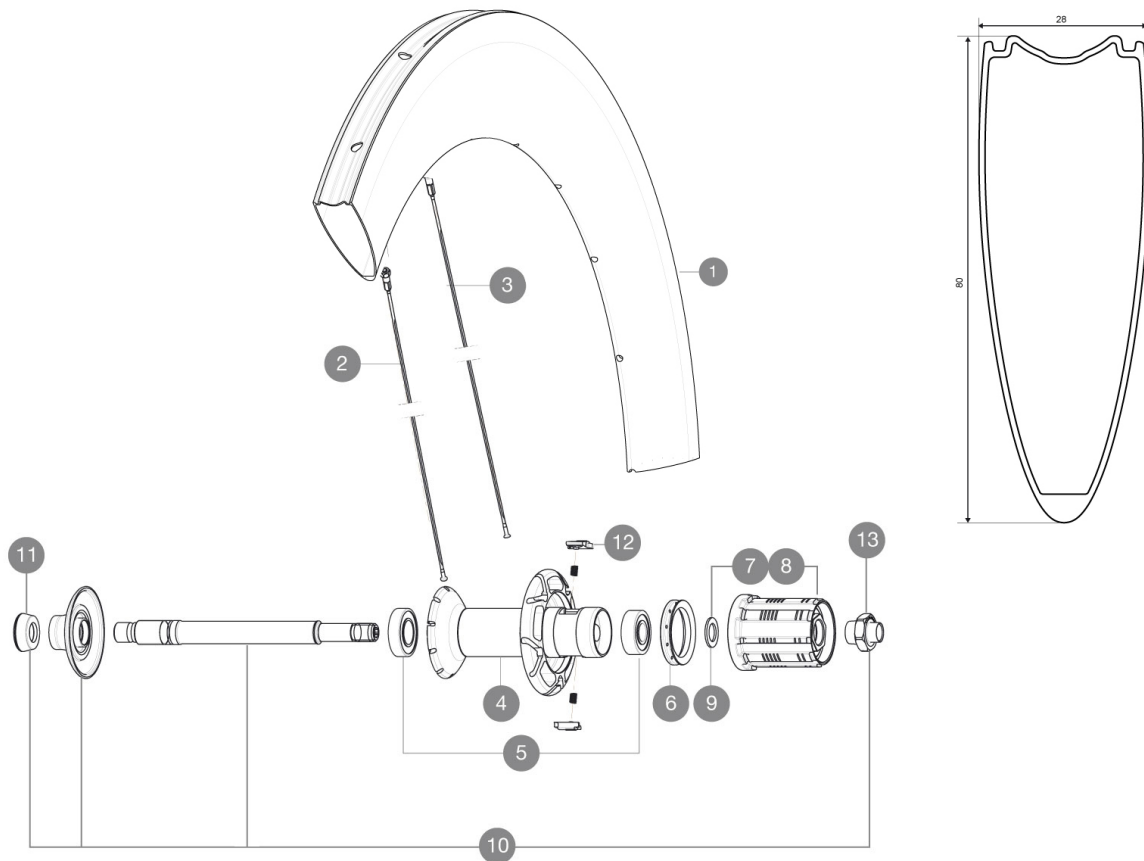


ASTM CATEGORY 1 : road only
Recommended weight limit : 120kg
Recommended tyre size: 23 mm
Max. Pressure: 23mm 8.7 bars - 125 psi

REFERENCES WHEELS

| | | | |
|--------|-------------------------|--------|----------------|
| R98101 | CXRUltimate80Tub16Pr+CD | R56901 | CXRUlti80T16Pr |
|--------|-------------------------|--------|----------------|



RIMS



VALVE HOLE \bar{A} (MM): 6,5 :

| | | |
|---|----------|-----------------------------------|
| 1 | 30860313 | KIT REAR COSMIC CXR80 TUBULAR RIM |
|---|----------|-----------------------------------|

SPOKES

| | | |
|---|----------|---|
| 2 | 30863201 | KIT 10 FT/NDS CXR80/CC80 2013 BLK SPK 235mm |
| 3 | 30863101 | KIT 10 DS CXR80/CC80 2013 BLACK SPOKE 232mm |

HUB SHELLS

| | | |
|----|----------|--|
| 4 | N/A | HUB BODY |
| 5 | 33000001 | REAR HUB B9+6901 BEARINGS 2013 |
| 6 | 99500001 | FTSL/FTSX FREEHUB BODY SEAL |
| 7 | 30871101 | FTS-L ROAD FREEWHEEL BODY HG11 8/9 compatible |
| 8 | 30871201 | FTS-L ROAD FREEWHEEL BODY ED11 8/9 compatible |
| 9 | 30872801 | SET OF 3 INTERNAL SILVER SPACERS 9mm FTS-L |
| 10 | V2250301 | KIT REAR AXLE AERO HUB CXR/CC40/CC SLS/CC SLE/COSMIC PRO CAR |
| 12 | M40578 | FTSL PAWLS KIT (ROAD WHEELS) |
| 13 | V2373101 | KIT NUT FOR ROAD ALLOY THROUGH AXLE 9mm |

ADAPTERS

| | | |
|----|----------|---|
| 11 | 35117301 | FT/RR FORK REST R-SYS/CC ULTIMATE > 2013/KSY PRO CARB T |
|----|----------|---|

MAVIC *CXR Ultimate 80 T***DELIVERED WITH**

| | |
|---------------------------------|--|
| BR601 quick releases | |
| BR601 quick releases | |
| CXR specific carbon brake pads | |
| Valve extender | |
| CXR specific carbon brake pads | |
| Multifunction adjustment wrench | |
| User guide | |
| Valve extender | |
| Multifunction adjustment wrench | |
| User guide | |

COMPATIBILITY

| | |
|--|--|
| Freewheel: Shimano/Sram, convertible to Campagnolo with optional driver body | |
| Freewheel: Shimano/Sram or Campagnolo, convertible to XD-R with optional driver body | |
| Front axle: Quick Release only | |
| Rear axle: Quick Release only | |

Specifications**RIMS**

- **Material** : 100% woven 3K carbon fiber
- **Height** : 80 mm, Width 27 mm with CX01 grooves
- **Material** : 3K carbon fibers
- **Drilling** : traditional
- **Brake track** : carbon
- **Valve hole diameter** : 6.5 mm
- **Tyre** : tubular
- **ETRTO size** : 28" tubular
- **Recommended tyre size** : 23 mm
- **Height** : 80 mm, Width 27 mm with CX01 grooves
- **Drilling** : traditional
- **Brake track** : carbon
- **Valve hole diameter** : 6.5 mm
- **Tyre** : tubular
- **ETRTO size** : 28" tubular

SPOKES

- **Material** : steel
- **Shape** : straight pull, bladed, double butted
- **Nipples** : aluminum, ABS
- **Count** : front 16, rear 20
- **Lacing** : radial front and rear non-drive side, crossed 2 rear drive side
- **Material** : steel
- **Shape** : straight pull, bladed, double butted
- **Nipples** : aluminum, ABS
- **Count** : front 16, rear 20
- **Lacing** : radial front and rear non-drive side, crossed 2 rear drive side

WHEEL HUB

- **Front and rear bodies** : carbon center tube and aluminum flanges
- **Axle material** : aluminum
- **Front and rear bodies** : carbon center tube and aluminum flanges
- Adjustable sealed cartridge bearings
- **Freewheel** : FTS-L steel
- **Axle material** : aluminum
- Adjustable sealed cartridge bearings
- **Freewheel** : FTS-L steel

VERSIONS

- **Color** : Black only

WHEEL WEIGHTS

Wheel weight 905