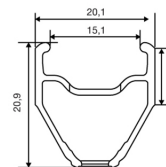
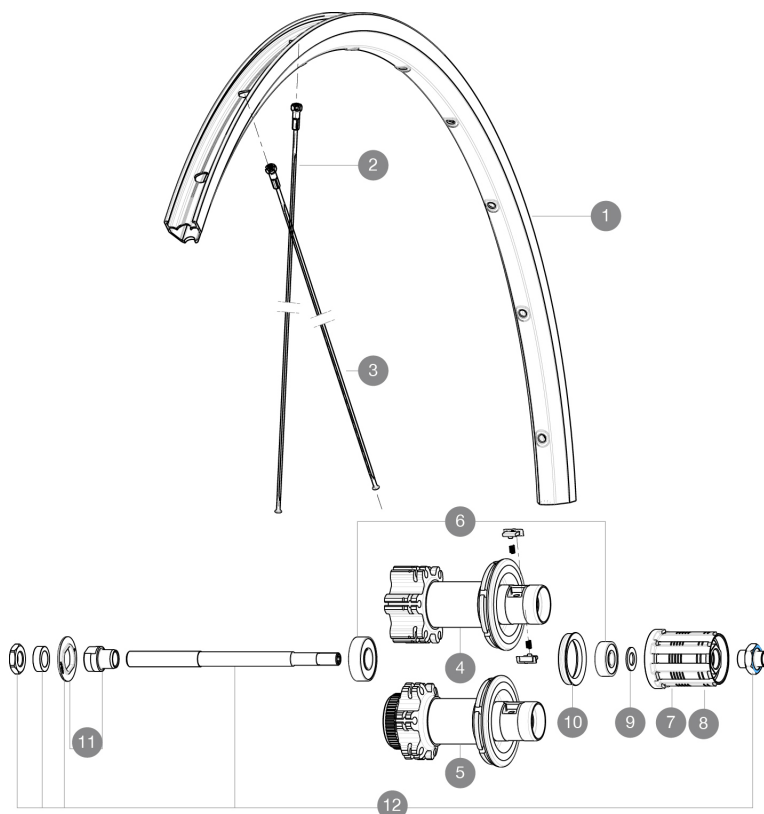


ASTM CATEGORY 2 : road and offroad with jumps less than 15cm  
Recommended weight limit : 120kg

## REFERENCES WHEELS

R67001 KsyriumDiscRr CL

R66901 KsyriumDiscRr INTL



## RIMS



VALVE HOLE  $\varnothing$  (MM): 6,5 :

1 V2402915 KIT FRONT/REAR RIM KSYRIUM DISC

## SPOKES

2 V2275601 KIT 12 DS KSYRIUM DISC 9mm SPK 289mm  
3 35126201 "KIT 12 DS XRIDE+E-XA ELITE 29"/"KSYRIUM DISC SPK 293mm"

## HUB SHELLS

4	N/A	HUB BODY
6	M40660	REAR HUB 608+6001 BEARINGS
7	30871101	FTS-L ROAD FREEWHEEL BODY HG11 8/9 compatible
8	30871201	FTS-L ROAD FREEWHEEL BODY ED11 8/9 compatible
9	M40067	INTERNAL FREEWHEEL SPACER FTSL/FTSX
10	99500001	FTSL/FTSX FREEHUB BODY SEAL
11	32348401	EXPANSIBLE BEARINGS SUPPORT
12	32348001	MTB DISC REAR AXLE QRM MTB DISC

**MAVIC** *Ksyrium Disc***DELIVERED WITH**

BR101 quick releases	
Rim tape	
Front QR adapters	
User guide	

**Specifications****RIMS**

- **Material** : S6000 Aluminum
  - **Height** : 25mm
  - **Joint** : SUP
  - **Drilling** : traditional with H2 reinforcement
- Disc brake specific profile
- **Valve hole diameter** : 6.5 mm
  - **Tyre** : clincher
  - **ETRTO size** : 622x15C
  - **Recommended tyre sizes** : 23 to 32 mm

**SPOKES**

- **Material** : steel
- **Shape** : straight pull, bladed
- **Nipples** : brass, ABS
- **Count** : 24 front and rear
- **Lacing** : front and rear crossed 2

**WHEEL HUB**

- **Front and rear bodies** : aluminum
  - **Axle material** : front aluminum, rear steel
- Sealed cartridge bearings
- **Freewheel** : FTS-L steel
  - **Front** : convertible to 15mm through axle

**WHEEL WEIGHTS**

Wheel weight 1020