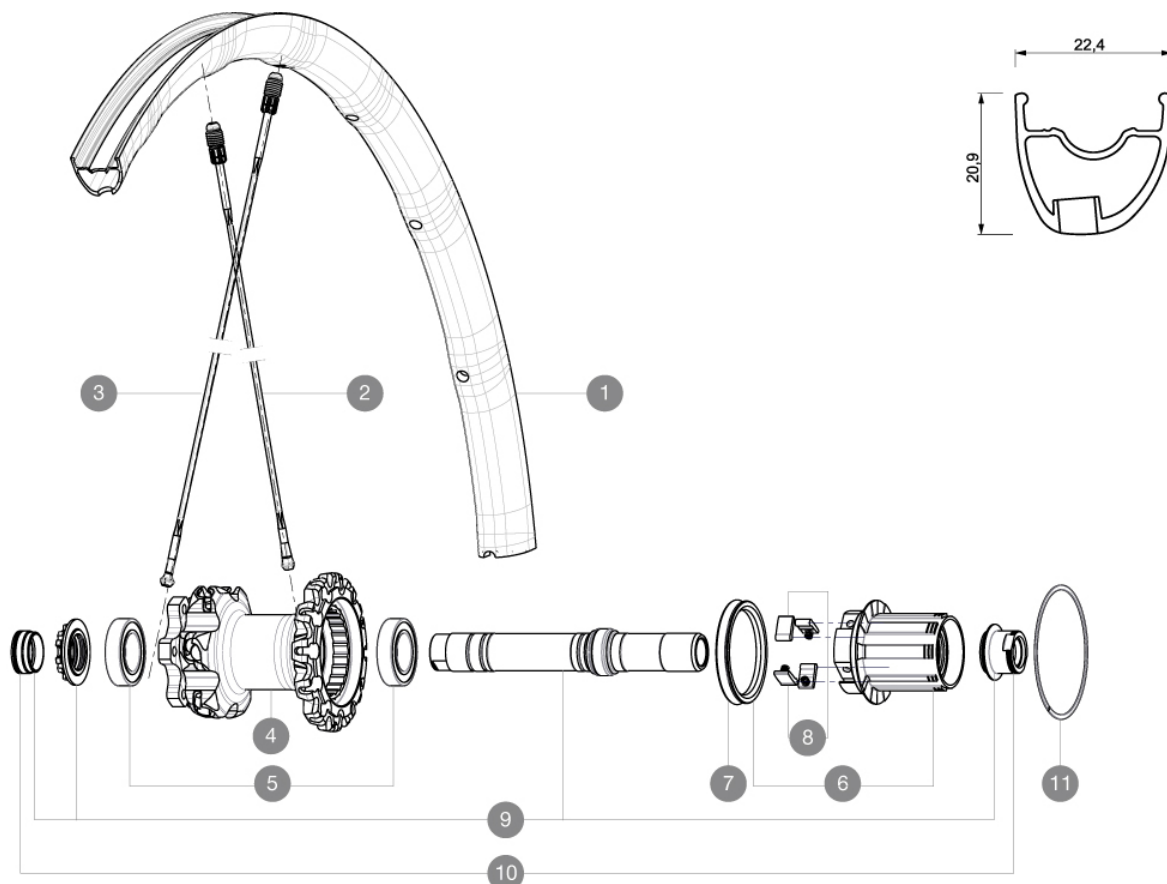


## REFERENCES WHEELS

R68001 XmaxSLPro26RrNT Black



### RIMS



VALVE HOLE (MM): 6,5 :

1	V2310413	KIT REAR RIM CROSSMAX SL/SL PRO BLACK 26"
---	----------	---

### SPOKES

2	30864101	KIT 10 DS M7/7 CROSSMAX SLR 12 SPK 239mm
3	30864201	KIT 10 FT/NDS M7/7 CROSSMAX SLR 12 SPK 269mm

### HUB SHELLS

4	N/A	HUB BODY
5	M40076	HUB BEARINGS 17x30x7 6903 x 2
6	35126001	ITS-4 FREEWHEEL BODY + SEAL 2013 (NO PAWLS)
7	99610701	ITS-4 FREEWHEEL SEAL
8	99610601	PAWLS KIT FOR ITS-4 (OR TS-2)
9	30870401	REAR QRM + AXLE KIT ITS4 135mm from 2012
11	30871801	ELASTIC RING 56mm diam. ITS-4 20 SPOKES

### ADAPTERS

10	30872201	FRAME SUPPORT ITS-4 135mm REAR AXLE > 2012
----	----------	--

**MAVIC** *Crossmax SL Pro 26***DELIVERED WITH**

BX601 quick releases	
UST valve and accessories	
Front 15 mm adapters	
Rear QR adapters	
Rear 12x142mm adapters	
Specific disc bolts	
Computer magnet (front wheel)	
Multifonction adjustment wrench	
User guide	

**Specifications****RIMS**

- **Material** : Mxtral
  - **Joint** : SUP
  - **Drilling** : Fore
- Disc brake specific profile
- **Weight reduction** : ISM 4D
  - **Valve hole diameter** : 6.5 mm
  - **Tyre** : UST Tubeless and tubetype
  - **Internal width** : 19 mm
  - **ETRTO size 26"** : 559x19C
  - **ETRTO size 650b/27.5"** : 584x19C
  - **ETRTO size 29"** : 622x19C
  - **ETRTO recommended tyre sizes** : 28mm to 62mm (1.1" to 2.5")

**SPOKES**

- **Material** : Zicral
- **Shape** : straight pull, bladed
- **Nipples** : Fore integrated aluminum
- **Count** : 20 front and rear
- **Lacing** : front crossed 2, rear Isopulse

**WHEEL HUB**

- **Front body** : carbon with aluminum flanges
  - **Rear body** : aluminum
  - **Axle material** : aluminum
- Adjustable sealed cartridge bearings
- **Freewheel** : ITS-4 alloy
- Shimano 11 speeds compatible  
Sram XD Compatible (XX1-X01) with optional kit

**WHEEL WEIGHTS**

Wheel weight  
Weight Rear 26": 760  
Weight Rear 27.5": 805  
Weight Rear 29": 830