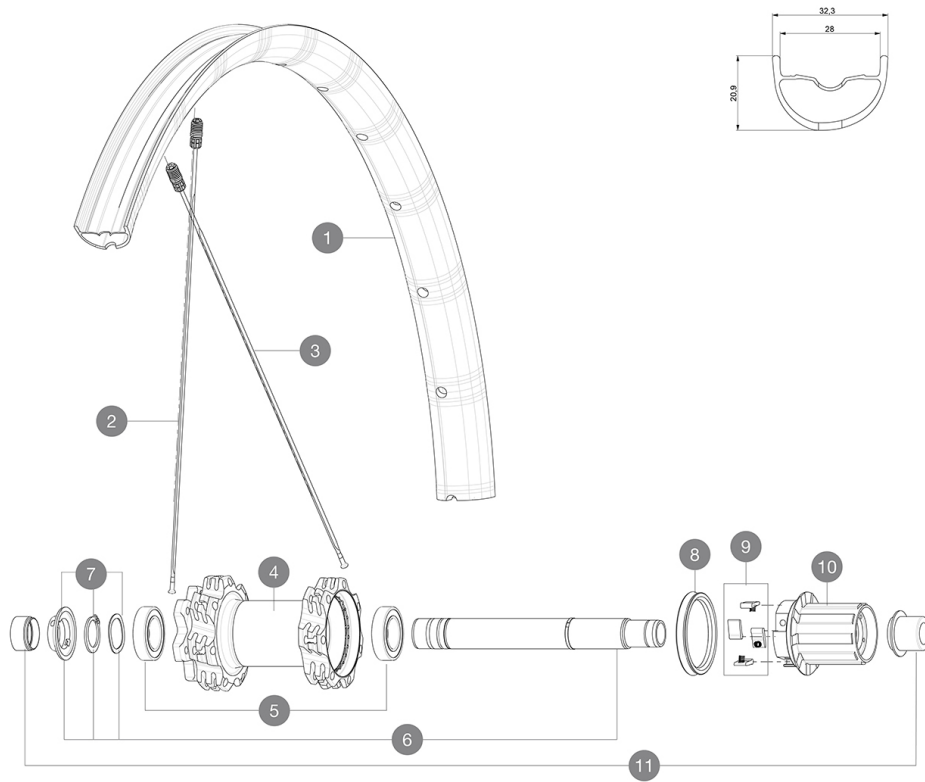


ASTM CATEGORY 5 : GRAVITY RIDING FOCUSED ON THE DESCENT  
Recommended tyre sizes: 50mm to 76mm (2.0" to 3.0")

## REFERENCES WHEELS

P84751	DmxDH27,518Pr	R17431	DmxDH1827,5Rr
R22731	Dmx DH 18 27,5 Rr XD		



## RIMS



&NBSP;:

1	V2318913	KIT REAR RIM DEEMAX DH 27,5"
---	----------	------------------------------

## SPOKES

2	V2386001	KIT 14 REAR NON DRIVE SIDE FLAT SPOKES 288mm
3	V2385901	KIT 14 REAR DRIVE SIDE FLAT SPOKES 286mm

## HUB SHELLS

4	N/A	HUB BODY
5	M40076	HUB BEARINGS 17x30x7 6903 x 2
6	V2371501	KIT AXLE 150/157mm ITS4 QRM AUTO
7	V2373001	KIT ADJUST. SYSTEM QRM AUTO ID360 for 17x30x7 bearing
8	99610701	ITS-4 FREEWHEEL SEAL
9	99610601	PAWLS KIT FOR ITS-4 (OR TS-2)
10	V3610101	HG MTB FREEWHEEL BODY ITS4 QRM AUTO

## ADAPTERS

11	V2510701	ID360V2RrAxleAdapt12x142/148
	V2510801	ID360 V2 RrAxleAdapt9x135

**MAVIC** *Deemax DH***DELIVERED WITH**

UST valve and accessories (129 838 01)	
UST valve and accessories (129 838 01)	
Multifunction adjustment wrench (325 423 01)	
Multifunction adjustment wrench (325 423 01)	
User guide	
User guide	

**COMPATIBILITY**

Freewheel: Shimano/Sram or XD	
Freewheel: Shimano/Sram or XD	
Front axle: 20mm, convertible to 15mm thru axle with optional adapters	
Front axle: 20mm, convertible to 15mm thru axle with optional adapters	
Rear axle : 12x157mm, convertible to 12x150 with optional adapters	
Rear axle : 12x157mm, convertible to 12x150 with optional adapters	
Freewheel: Shimano Micro Spline	

**Specifications****RIMS**

- **Material** : Maxtal
  - **Material** : Maxtal
  - **Joint** : SUP
  - **Joint** : SUP
  - **Drilling** : Fore
  - **Drilling** : Fore
  - **Weight reduction** : ISM 4D
  - **Weight reduction** : ISM 4D
  - **Valve hole diameter** : 6.5 mm
  - **Valve hole diameter** : 6.5 mm
  - **Tyre** : UST Tubeless and tubetype
  - **Tyre** : UST Tubeless and tubetype
  - **Internal width** : 28 mm
  - **Internal width** : 28 mm
- Hookless profile  
Hookless profile
- **ETRTO size 27.5"** : 584x28TSS
  - **ETRTO size 27.5"** : 584x28TSS

**SPOKES**

- **Material** : steel
- **Material** : steel
- **Shape** : straight pull, flat rear and flat, double butted front
- **Shape** : straight pull, flat rear and flat, double butted front
- **Nipples** : Fore integrated aluminum
- **Nipples** : Fore integrated aluminum
- **Count** : 28 front and rear
- **Count** : 28 front and rear
- **Lacing** : front and rear crossed 3
- **Lacing** : front and rear crossed 3

**WHEEL HUB**

- **Front and rear bodies** : aluminum
- **Front and rear bodies** : aluminum
- **Axle material** : aluminum
- **Axle material** : aluminum
- **Front bearings** : adjustable sealed cartridge bearings (QRM+), Rear bearings auto adjust sealed cartridge bearings (QRM Auto)
- **Front bearings** : adjustable sealed cartridge bearings (QRM+), Rear bearings auto adjust sealed cartridge bearings (QRM Auto)
- **Freewheel** : ITS-4 QRM Auto alloy
- **Freewheel** : ITS-4 QRM Auto alloy

**VERSIONS**

- **Color** : Black only
- **Disc standard** : 6 Bolts only
- **Disc standard** : 6 Bolts only
- **Freewheel** : Shimano/Sram or XD

**WHEEL WEIGHTS**

1160