

**MAVIC** ALLROAD 650B DISC

ASTM CATEGORY 2 : road and offroad with jumps less than 15cm

Maximum tyre pressure: 4.1bar/59PSI with a 28mm tyre - 2.45bar/36PSI with a 64mm tyre

For a longer longevity of the wheel, Mavic recommends that the total weight supported by the wheels doesn't exceed 120kg, bike included

Non-Boost : 12x135 rear axle adapters (V2510901)

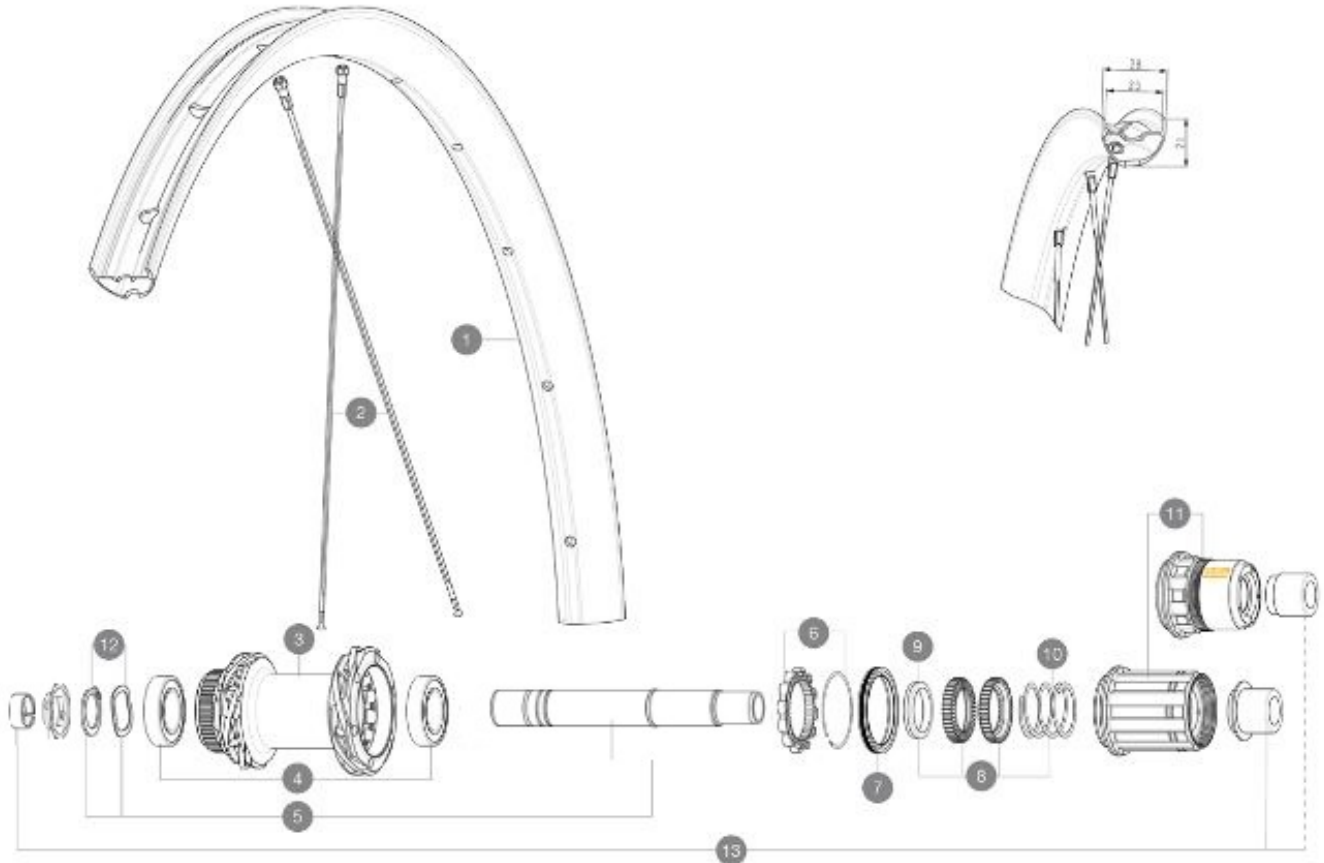
Recommended tire sizes: 28 to 64 mm (1.1" to 2.5")

Max. Pressure: see indication on wheel and tire. If they differ, use the lowest of the 2

Boost : Torque Caps for Center Lock hub (V2374401)

**REFERENCES WHEELS**

R40781 ALLR 650B CL 650B 12X142 M11

**RIMS**

&NBSP::

<b>1</b>	V4095115	Kit Front/Rear rim Allroad 650B
	V2700101	UST Tape 28mm for 25 to 27mm wide rims

**SPOKES**

<b>2</b>	V4165001	Kit 12 Front/Rear Allroad 650B flat spoke 277 + nipple black
----------	----------	--

**HUB SHELLS**

<b>3</b>	N/A	HUB BODY
<b>4</b>	M40076	HUB BEARINGS 17x30x7 6903 x 2
<b>5</b>	V2373401	KIT ID360 135/142 DCL L1 AXLE WITH CLIP
<b>6</b>	V2252701	KIT ID360 INSERT SHAPED EAR LOBE > 2017
<b>7</b>	V00063631	Kit ID360 seal version 2 (larger)
<b>8</b>	V2251701	KIT ID360 2 RATCHETS + SPRING + GREASE
<b>9</b>	V2500501	KIT ID360 3 PADS NOISE REDUCING
<b>10</b>	V2251801	KIT 3 ID360 ROAD SPRINGS
<b>11</b>	V3430101	HG11 Freewheel Body ID360
<b>11</b>	V2580101	FREEHUB BODY XD Road ID360
<b>12</b>	V2373001	KIT ADJUST. SYSTEM QRM AUTO ID360 for 17x30x7 bearing

**ADAPTERS**

<b>13</b>	V2510801	ID360 V2 RrAxleAdapt9x135
<b>13</b>	V2510901	ID360 EVO RrAxleAdpt12x135/150

# MAVIC ALLROAD 650B DISC

## DELIVERED WITH

User guide	
UST valve and accessories (129 838 01)	
UST valve and accessories (129 838 01)	
Pre-installed tubeless rim tape	
Pre-installed tubeless rim tape	
User guide	
User guide	
Pre-installed tubeless rim tape	
UST valve and accessories (129 838 01)	
12 to 9mm rear adapter for quick release (V2510801)	

## COMPATIBILITY

Freewheel: Shimano/Sram, convertible to Campagnolo ED11, N3W and XD-R with optional driver bodies	
Front axle: 12mm thru axle, easily convertible to quick release with optional adapters. Convertible to 15mm with complete axle replacement	
Freewheel body: convertible SRAM XD road (kit V2580101 sold separately)	
Freewheel body: convertible SRAM XD road (kit V2580101 sold separately)	
Freewheel body: convertible SHIMANO HG light road (kit V3850101 sold separately)	
Freewheel body: convertible SHIMANO HG light road (kit V3850101 sold separately)	
Freewheel body: convertible SHIMANO MS (kit V3990101 sold separately)	
Freewheel body: convertible SHIMANO MS (kit V3990101 sold separately)	
Front axle: 12mm thru axle, easily convertible to quick release with optional adapters. Convertible to 15mm with complete axle replacement	
Front axle: 12mm thru axle, easily convertible to quick release with optional adapters. Convertible to 15mm with complete axle replacement	
Freewheel body: convertible CAMPAGNOLO N3W (kit V4270101 sold separately)	
Freewheel body: convertible CAMPAGNOLO N3W (kit V4270101 sold separately)	
ID360 Shimano Micro Spline alloy freewheel body (V3990101)	
ID360 Sram XD freewheel body (V3740101)	
Rear axle: for fixing nuts only (included), M9x1 thread	
ID360 Sram XD freewheel body (V3740101)	
Instant Drive 360 freewheel technology The new Instant Drive 360 freewheel system is super light and fast to engage with only 9Å°. A large contactless rubber seal provides low friction, while a wide array of end caps makes it super versatile.	
Rear axle: for fixing nuts only (included), M9x1	