

ASTM CATEGORY 1 : road only

Misura minima del pneumatico: larghezza 23 mm - pressione massima 6,75 Bar/97 PSI

For a longer longevity of the wheel, Mavic recommends that the total weight supported by the wheels doesn't exceed 120kg, bike included

Recommended tyre sizes: 25 to 32 mm

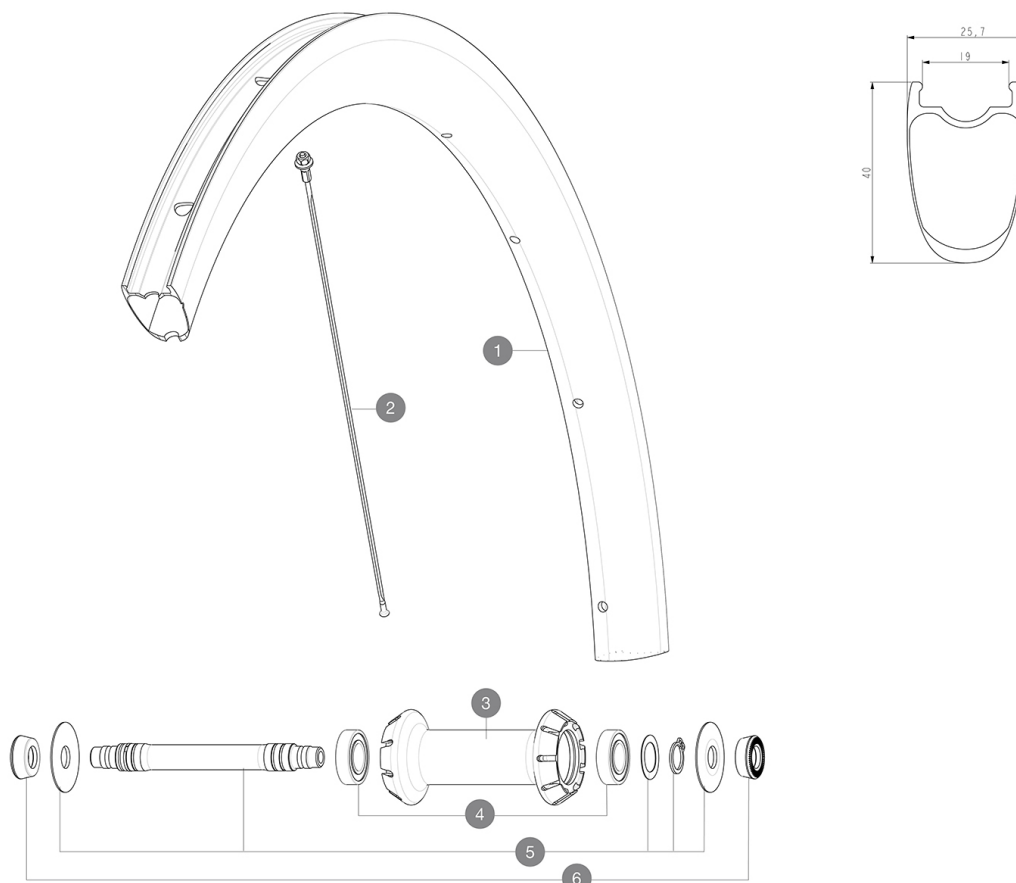
Max. Pressure: see indication on wheel and tyre. If they differ, use the lowest of the 2

Maximum tyre pressure: 6.75bar/97PSI with a 23mm tyre - 3.8bar/55PSI with a 62mm tyre

Misura massima del pneumatico: larghezza 62 mm - pressione massima 3,8 Bar/55 PSI

REFERENZE RUOTE

F90201 COSMIC SL 40 RB 700 QR



RIMS



&NBSP;:

1	V4092610	Kit Front rim Cosmic SL 40 RB
	V3720101	25mm UST Tape for 19 to 22mm Road Rims

SPOKES

2	V4163001	Kit 9 front Cosmic SL 40 RB butted stainless spoke 271mm + s
---	----------	--

HUB SHELLS

3	N/A	CORPO MOZZO
4	M40078	KIT CUSCINETTI MOZZO ANT. 6901
5	V2375801	Kit front axle RB for QRM auto hub + hoobster + wave washer

ADAPTERS

6	35117301	FRONT OR REAR FORK REST KIT R-SYS 2013
---	----------	--

VENDUTO CON

Sigillante per pneumatici Mavic (ruota posteriore) (355 466 01)	
User guide	
BR301 quick releases (V24 501 01 frt, V24 502 01 rear)	
BR301 quick releases (V24 501 01 frt, V24 502 01 rear)	
BR301 quick releases (V24 501 01 frt, V24 502 01 rear)	
BR301 quick releases (V24 501 01 frt, V24 502 01 rear)	
Carbon brake pads (V24 603 01 Shimano/Sram, V24 604 01 Campagnolo)	
Carbon brake pads (V24 603 01 Shimano/Sram, V24 604 01 Campagnolo)	
Carbon brake pads (V24 603 01 Shimano/Sram, V24 604 01 Campagnolo)	
Carbon brake pads (V24 603 01 Shimano/Sram, V24 604 01 Campagnolo)	
BR301 quick releases (V24 501 01 frt, V24 502 01 rear)	
Carbon brake pads (V24 603 01 Shimano/Sram, V24 604 01 Campagnolo)	
UST valve and accessories (129 838 01)	
UST valve and accessories (129 838 01)	
UST valve and accessories (129 838 01)	
UST valve and accessories (129 838 01)	
Pre-installed tubeless rim tape	
Pre-installed tubeless rim tape	

COMPATIBILITY

Freewheel: Shimano/Sram, convertible to Campagnolo and XD-R with optional driver bodies	
Freewheel: Shimano/Sram, convertible to Campagnolo and XD-R with optional driver bodies	
Freewheel: Shimano/Sram, convertible to Campagnolo and XD-R with optional driver bodies	
Front axle: Quick Release only	
Front axle: Quick Release only	
Front axle: Quick Release only	
Rear axle: Quick Release only	
Rear axle: Quick Release only	
Corpo ruota libera: convertibile SRAM XD strada (kit V2580101 venduto separatamente)	
Corpo ruota libera: convertibile SRAM XD strada (kit V2580101 venduto separatamente)	
Rear axle: Quick Release only	
Corpo ruota libera: convertibile SHIMANO HG light strada (kit V3850101 venduto separatamente)	
Corpo ruota libera: convertibile SHIMANO HG light strada (kit V3850101 venduto separatamente)	
Corpo ruota libera: convertibile SHIMANO MS (kit V3990101 venduto separatamente)	
Corpo ruota libera: convertibile SHIMANO MS (kit V3990101 venduto separatamente)	
Corpo ruota libera: convertibile CAMPAGNOLO ED (kit V3440101 venduto separatamente)	
Corpo ruota libera: convertibile CAMPAGNOLO ED (kit V3440101 venduto separatamente)	
Instant Drive 360 The new Instant Drive 360 freewheel system is super light and fast to engage with only 9Å°. A large contactless rubber seal provides low friction, while a wide array of end caps makes it super	