

## ASTM CATEGORY 3 : CROSS COUNTRY

For a longer longevity of the wheel, Mavic recommends that the total weight supported by the wheels doesn't exceed 150kg, bike included

Recommended tyre sizes: 50mm to 76mm (2.0" to 3.0")

Maximum tyre pressure: 4.1bar/59PSI with a 28mm tyre - 2.45bar/36PSI with a 64mm tyre

Non-Boost: Adattatori per perno posteriore 12x135 ([V2510901])

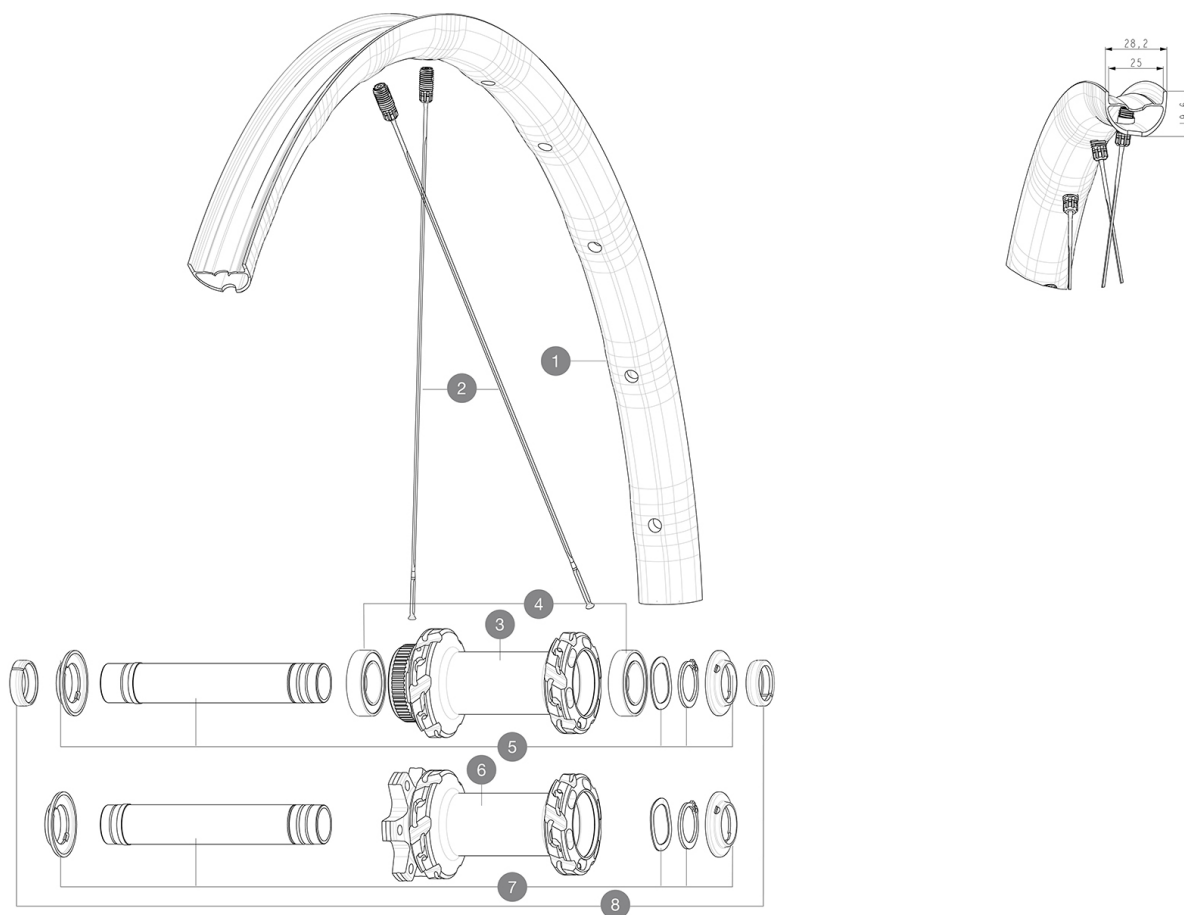
Recommended tire sizes: 28 to 64 mm (1.1" to 2.5")

Boost : Torque Caps ([LV2374400])

## REFERENZE RUOTE

F90443 XMAX SLS INT 29 BST

F91963 XMAX SLS CL 29 BST



## RIMS



&NBSP::

1 V3765815 Kit Front/Rear rim Crossmax SLS 29"

## SPOKES

2 V2388301 Kit 12 Front/Rear Crossmax SL/SLS/XL/XLS 29" butted spoke 2

## HUB SHELLS

3 N/A CORPO MOZZO  
 4 V2500901 KIT BEARINGS 18x30x7 + WAVED WASHER + CLIP  
 5 V2375601 Kit 110mm axle QRM auto MTB from 2019 DCL  
 6 N/A CORPO MOZZO  
 7 V2372401 KIT 110mm AXLE QRM AUTO MTB > 2019

## OPTIONS

V2374401 TORQUE CAPS 15\*31 Adapter MTB QRM Auto > 2019 Frt HUB

## ADAPTERS

8 V2372501 15mm MTB Axle Cap QRM Auto From 2019  
 99694101 2 REDUCERS 15/9mm

**VENDUTO CON**

Guida utente	
2 replacement spokes with each wheel	
UST valve and accessories (129 838 01)	
UST valve and accessories (129 838 01)	
UST valve and accessories (129 838 01)	
UST valve and accessories (129 838 01)	
Multifunction adjustment wrench (delivered with rear wheel) (325 423 01)	
Multifunction adjustment wrench (delivered with rear wheel) (325 423 01)	
Multifunction adjustment wrench (delivered with rear wheel) (325 423 01)	
Multifunction adjustment wrench (delivered with rear wheel) (325 423 01)	
Guida utente	
UST valve and accessories (129 838 01)	
2 replacement spokes with each wheel	
Multifunction adjustment wrench (delivered with rear wheel) (325 423 01)	
Fore adjustment wrench	
2 replacement spokes with each wheel	
2 replacement spokes with each wheel	
2 replacement spokes with each wheel	

**COMPATIBILITY**

Freewheel: Shimano HG9, XD or Micro Spline	
Front axle: 15x110 Boost thru axle	
Rear axle: 12x148 Boost thru axle	
Corpo ruota libera: convertibile SHIMANO HG MTB acciaio (kit V3790101 venduto separatamente)	
Corpo ruota libera: convertibile SHIMANO HG MTB acciaio (kit V3790101 venduto separatamente)	
Adattatore anteriore Boost 20-15 mm ([12982801])	
Perno anteriore: solo per i dadi di fissaggio (inclusi), filettatura M9x1	
Adattatori asse posteriore: 12x148 convertibile in 9x141 (kit V2510801 venduto separatamente)	
Adattatori asse posteriore: 12x148 convertibile in 9x141 (kit V2510801 venduto separatamente)	
Freewheel: Shimano HG9, XD or Micro Spline	
Rear axle: 12x148 Boost thru axle	
Rear axle: 12x148 Boost thru axle	
Front axle: 15x110 Boost thru axle	
Front axle: 15x110 Boost thru axle	
Freewheel: Shimano HG9, XD or Micro Spline	
Front axle: convertible from 15mm thru axle to Quick Release with adapters (delivered with non-boost wheel)	
Perno anteriore: solo per i dadi di fissaggio (inclusi), filettatura M9x1	