

MAVIC E-DEEMAX S 30 29

1
2021
FRONT

ASTM CATEGORY 5 : GRAVITY RIDING FOCUSED ON THE DESCENT

Per una maggiore durata della ruota, Mavic raccomanda che il peso totale sostenuto dalle ruote della bici non superi i 180kg, E-bike inclusa

Recommended tyre sizes: 60mm to 76mm (2.35" to 3.0")

Maximum tyre pressure: 2.95bar/43PSI with a 52mm tyre - 1.55bar/22PSI with a 125mm tyre

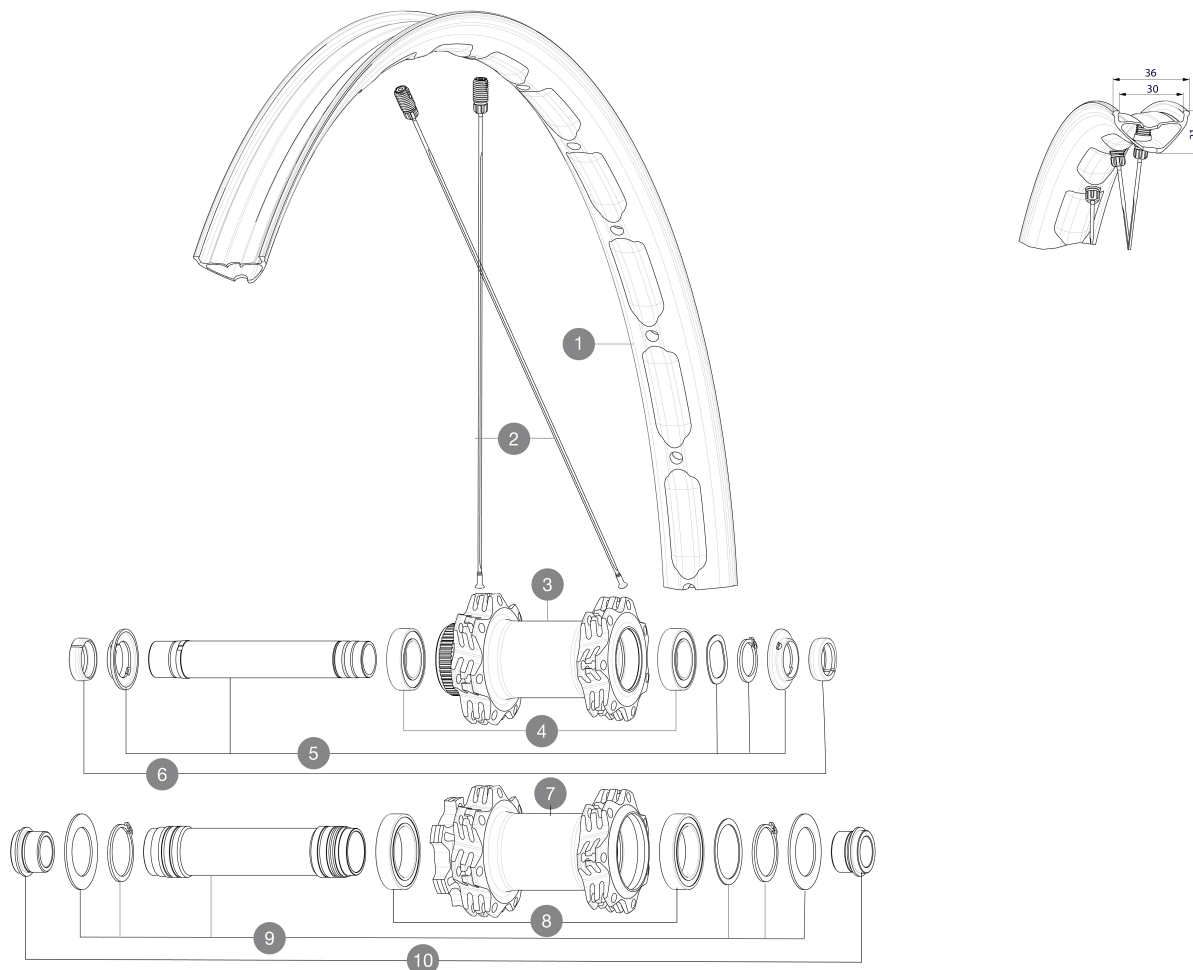
Misura minima del pneumatico: larghezza 52 mm - pressione massima 2,95 Bar/43 PSI

For a longer longevity of the wheel, Mavic recommends that the total weight supported by the wheels doesn't exceed 180kg, Ebike included

REFERENZE RUOTE

F91623 E-DEEMAX S 30 INT 29 BST

F91633 E-DEEMAX S 30 CL 29 BST



RIMS



&NBSP;:

1	V3766415	Kit Front/Rear rim eDeemax S 29
	V3750101	35mm UST Green Tape for 30mm wide rims

SPOKES

2	V2388501	Kit 14 Front eDeemax S 29" butted spoke 306 M7/7
---	----------	--

HUB SHELLS

3	N/A	CORPO MOZZO
4	V2500901	KIT BEARINGS 18x30x7 + WAVED WASHER + CLIP
5	V2375601	Kit 110mm axle QRM auto MTB from 2019 DCL
7	N/A	CORPO MOZZO
8	M40179	FRONT BEARING 25x37x7 20mm AXLE
9	V2373701	KIT 20x110mm BOOST AXLE QRM AUTO MTB > 2019

OPTIONS

V2650401	TORQUECAP20*31 FT QRM AUTO MTB
V2374401	TORQUE CAPS 15*31 Adapter MTB QRM Auto > 2019 Frt HUB

ADAPTERS

6	V2372501	15mm MTB Axle Cap QRM Auto From 2019
10	12982801	15mm ADAPTER KIT - 2012 WHEELS
	V2680401	20x110 BOOST Front Adapter MTB wheels
	99694101	2 REDUCERS 15/9mm

VENDUTO CON

2 replacement spokes with each wheel	
UST valve and accessories (129 838 01)	
UST valve and accessories (129 838 01)	
UST valve and accessories (129 838 01)	
UST valve and accessories (129 838 01)	
Multifunction adjustment wrench (delivered with rear wheel) (325 423 01)	
Multifunction adjustment wrench (delivered with rear wheel) (325 423 01)	
Multifunction adjustment wrench (delivered with rear wheel) (325 423 01)	
Multifunction adjustment wrench (delivered with rear wheel) (325 423 01)	
Guida utente	
Fore adjustment wrench	
2 replacement spokes with each wheel	
2 replacement spokes with each wheel	
2 replacement spokes with each wheel	
Fore adjustment wrench	

COMPATIBILITY

Freewheel: Shimano HG9, XD or Micro Spline	
Perno anteriore: 15x110 Boost, convertibile in un perno passante da 20x110 Boost con adattatori	
Perno anteriore: 15x110 Boost, convertibile in un perno passante da 20x110 Boost con adattatori	
Rear axle: 12x148 Boost thru axle	
Perno anteriore: 15x110 Boost, convertibile in un perno passante da 20x110 Boost con adattatori	
Adattatori asse posteriore: 12x148 convertibile in 9x141 (kit V2510801 venduto separatamente)	
Freewheel: Shimano HG9, XD or Micro Spline	
Freewheel: Shimano HG9, XD or Micro Spline	
Rear axle: 12x148 Boost thru axle	
Rear axle: 12x148 Boost thru axle	
Ruota anteriore con disco a 6 bulloni INT convertibile in perno passante da 20 x 110 Boost con adattatori opzionali	
Perno anteriore: solo per i dadi di fissaggio (inclusi), filettatura M9x1	
Front axle: convertible from 15mm thru axle to Quick Release with adapters (delivered with non-boost wheel)	

Specifications

CERCHIONI

- **Materiale** : Mxstal
- **Materiale** : S6000 Aluminum
- **Materiale** : Mxstal
- **Weight reduction** : ISM

E-Bike specific rim profile

- **Materiale** : Mxstal
- **Materiale** : Mxstal
- **Tire** : UST Tubeless and tubetype
- **Materiale** : S6000 Aluminum
- **Materiale** : S6000 Aluminum

MOZZO

- **Materiale del corpo** : alluminio
 - **Axles** : Front 15X110 Boost ; Rear 12X148 Boost
 - **Disco standard** : solo 6 fori o Center Lock
- Hub available with 6-bolt or center lock (R) brake rotors
- **Materiale dell'asse** : alluminio
 - **Dimensioni dell'asse** : anteriore 15x110 / posteriore 12x148
 - **Tecnologia ruota libera** : Instant Drive 360
 - **Ruota libera** : Shimano HG MTB / Shimano MS /

PESI RUOTE

960