

ASTM CATEGORY 3 : CROSS COUNTRY

For a longer longevity of the wheel, Mavic recommends that the total weight supported by the wheels doesn't exceed 150kg, bike included

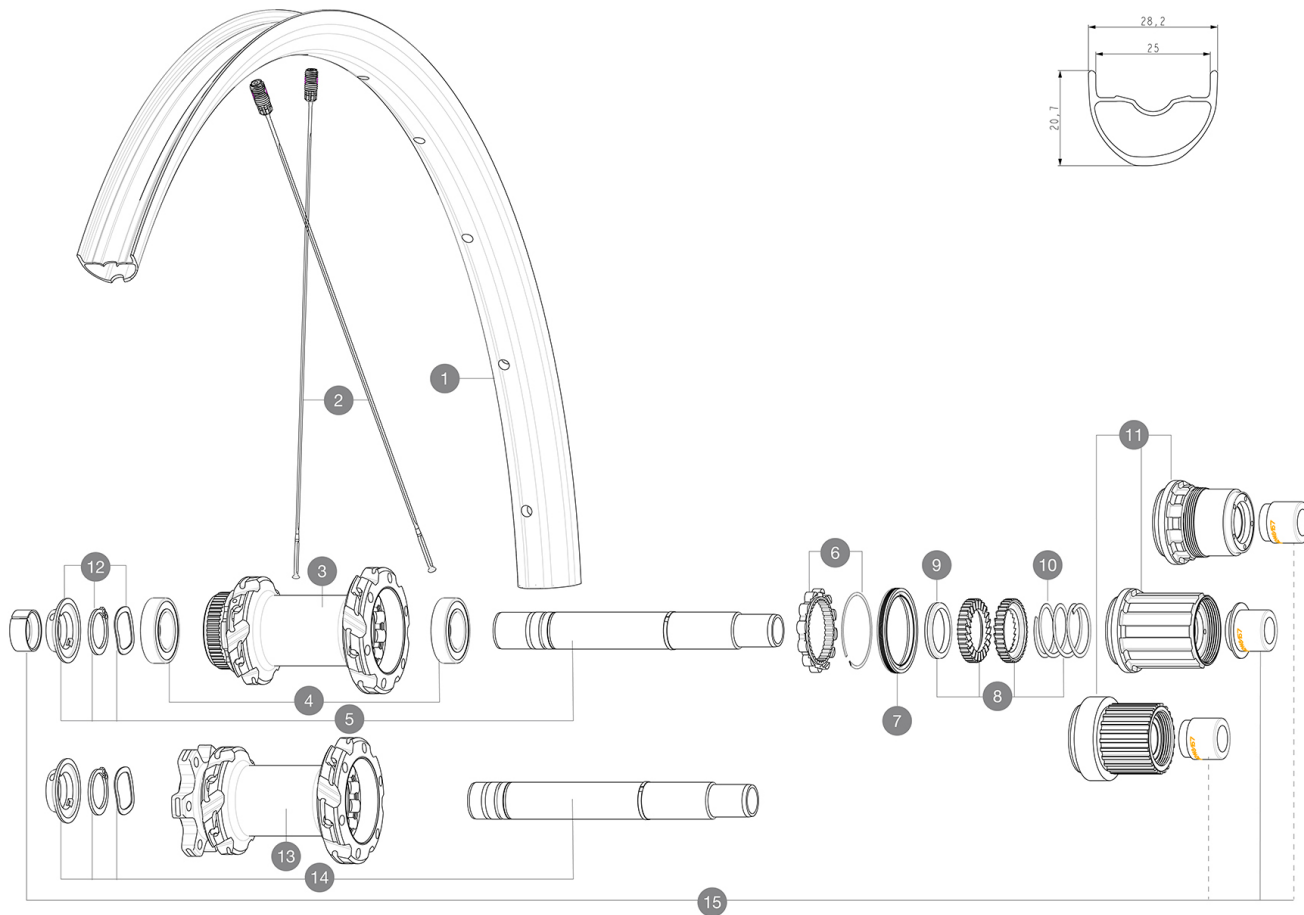
Recommended tyre sizes: 50mm to 76mm (2.0" to 3.0")

Maximum tyre pressure: 4.1bar/59PSI with a 28mm tyre - 2.45bar/36PSI with a 64mm tyre

Recommended tire sizes: 28 to 64 mm (1.1" to 2.5")

REFERENZEN RÄDER

R37042	XMAX SL INT 29 BST HG	R39142	XMAX SL CL 29 BST MS
R38052	XMAX SL INT 29 BST XD		



RIMS



&NBSP;:

1	V3765715	Kit Front/Rear rim Crossmax SL 21 29"
---	----------	---------------------------------------

SPOKES

2	V2388301	Kit 12 Front/Rear Crossmax SL/SLS/XL/XLS 29" butted spoke 2
---	----------	---

HUB SHELLS

3	N/A	NABENKÖRPER
4	M40076	HUB BEARINGS 17x30x7 6903 x 2
5	V2375701	Kit ID360 148 DCL axle with circlip
6	V2252701	KIT ID360 INSERT SHAPED EAR LOBE > 2017
7	V00063631	Kit ID360 seal version 2 (larger)
8	V2375201	KIT ID360 24 TEETH 2 RATCHET + MTB SPRING + PAD (specific)
9	V2375401	KIT ID360 MTB 24T 3 NOISE REDUCING PADS
10	V2372901	KIT 3 ID360 MTB SPRINGS
11	V3990101	MicroSpline MTB Freewheel Body ID360
11	V3780101	HG9 Alloy MTB Freewheel Body ID360
11	V3740101	XD MTB Freewheel Body ID360
12	V2373001	KIT ADJUST. SYSTEM QRM AUTO ID360 for 17x30x7 bearing
13	N/A	NABENKÖRPER
14	V2372201	KIT ID360 148 D6T AXLE WITH CLIP

OPTIONS

8	V2372801	KIT ID360 2x40 TEETH RATCHETS + MTB SPRING + GREASE + PAD
---	----------	---

ADAPTERS

15	V2510701	ID360 EVO REAR AXLE ADAPTERS 12x142mm DCL & D6T
	V2510801	ID360 EVO REAR AXLE ADAPTERS 9x135mm DCL & D6T

GELIEFERT MIT

2 replacement spokes with each wheel	
UST valve and accessories (129 838 01)	
UST valve and accessories (129 838 01)	
UST valve and accessories (129 838 01)	
UST valve and accessories (129 838 01)	
Multifunction adjustment wrench (delivered with rear wheel) (325 423 01)	
Multifunction adjustment wrench (delivered with rear wheel) (325 423 01)	
Multifunction adjustment wrench (delivered with rear wheel) (325 423 01)	
Multifunction adjustment wrench (delivered with rear wheel) (325 423 01)	
Multifunction adjustment wrench (delivered with rear wheel) (325 423 01)	
Bedienungsanleitung	
2 replacement spokes with each wheel	
Fore adjustment wrench	
Fore adjustment wrench	
2 replacement spokes with each wheel	
2 replacement spokes with each wheel	

COMPATIBILITY

Freewheel: Shimano HG9, XD or Micro Spline	
Front axle: 15x110 Boost thru axle	
Rear axle: 12x148 Boost thru axle	
Freilaufkörper: SHIMANO HG MTB Stahl-konverter (Kit V3790101 separat erhältlich)	
Adapter Hinterachse: 12x148 umwandelbar in 9x141 (Kit V2510801 separat erhältlich)	
Freewheel: Shimano HG9, XD or Micro Spline	
Freewheel: Shimano HG9, XD or Micro Spline	
Rear axle: 12x148 Boost thru axle	
Rear axle: 12x148 Boost thru axle	
Front axle: 15x110 Boost thru axle	
Front axle: 15x110 Boost thru axle	
VR-Achse: nur f $\frac{1}{4}$ r Schraubmuttern (im Lieferumfang enthalten), M10x1-Gewinde	
Front axle: convertible from 15mm thru axle to Quick Release with adapters (delivered with non-boost wheel)	

Specifications

FELGEN

- **Material** : S6000 Aluminum
- **Material** : Maxtal
- **Material** : Maxtal
- **Material** : Maxtal
- **Material** : Maxtal
- **Tire** : UST Tubeless and tubetype
- **Material** : S6000 Aluminum
- **Material** : S6000 Aluminum
- **Internal width** : 25 mm
- **ETRTO size 29"** : 622x25TSS

RADNABE

- **Körpermaterial** : aluminium
- Infinity Hub
- **Körperdesign** : INFINITY
- **Axles** : Front 15X110 Boost ; Rear 12X148 Boost
- **Standard Disc** : 6 Löcher oder Center Lock®
- Hub available with 6-bolt or center lock (R) brake rotors
- **Material der Achse** : Aluminium
- **Achsgrößen** : vorne 15x110 / hinten 12x148
- **Freilauftechnologie** : Instant Drive 360

RADGEWICHTE

910