

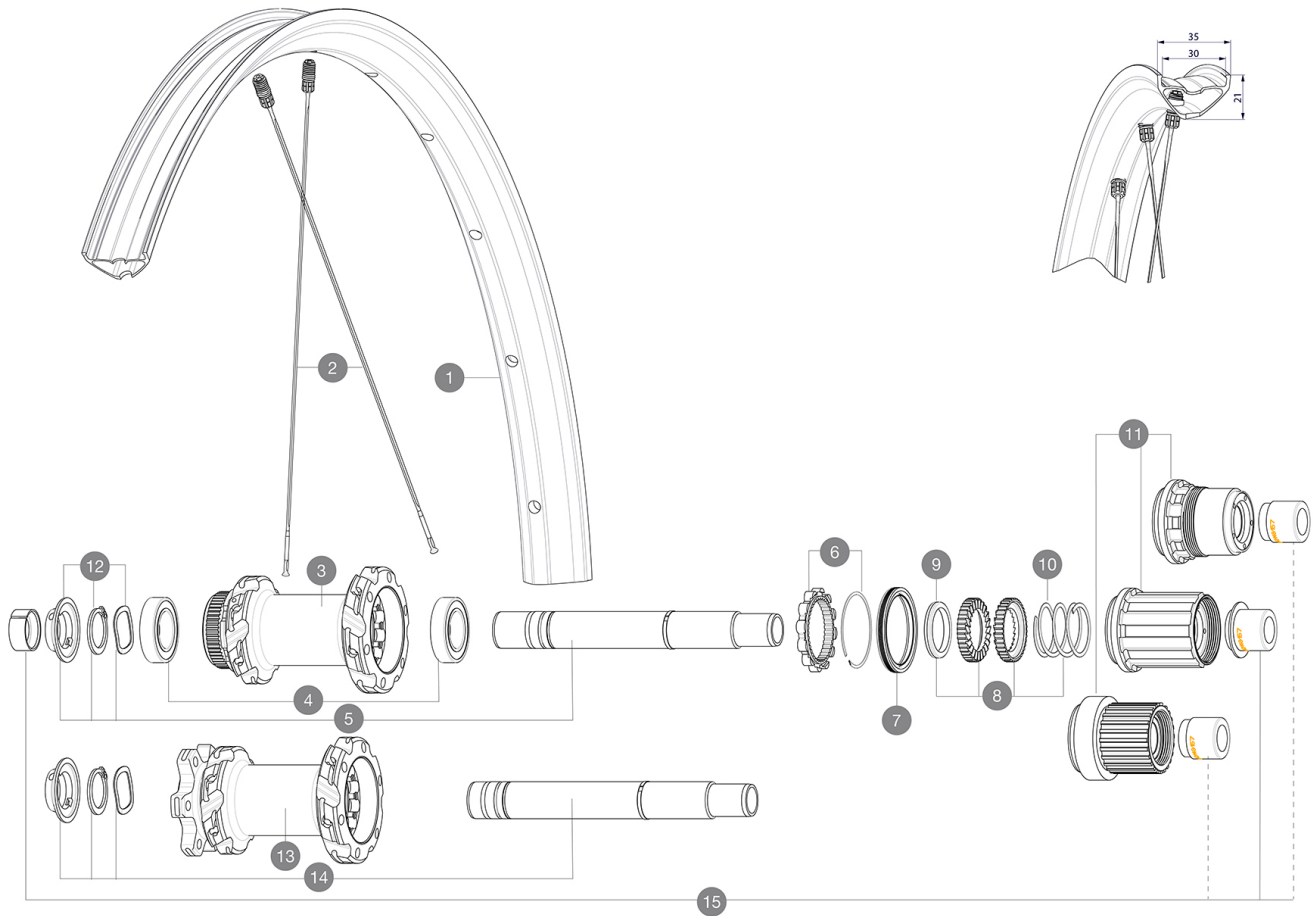
ASTM CATEGORY 4 : ENDURO AND TRAIL RIDING

For a longer longevity of the wheel, Mavic recommends that the total weight supported by the wheels doesn't exceed 120kg, bike included

Recommended tyre sizes: 60mm to 76mm (2.35" to 3.0")

REFERENZEN RÄDER

R37122	Crossmax XL 27,5 Rr Bst*	R39212	Crossmax XL 27,5 DCL Rr BstMS*
R37812	Crossmax XL 27,5 Rr Bst XD*		



RIMS



&NBSP;:

1	V3766115	Kit Front/Rear rim Crossmax XL 27,5" MY21
---	----------	---

SPOKES

2	V2388401	Kit 12 Front/Rear Crossmax XL 27,5" butted spoke 279 M7/7 M
---	----------	---

HUB SHELLS

3	N/A	NABENKÖRPER
4	M40076	HUB BEARINGS 17x30x7 6903 x 2
5	V2375701	Kit ID360 148 DCL axle with circlip
6	V2252701	KIT ID360 INSERT SHAPED EAR LOBE > 2017
7	V00063631	Kit ID360 seal version 2 (larger)
8	V2375201	KIT ID360 24 TEETH 2 RATCHET + MTB SPRING + PAD (specific)
9	V2375401	KIT ID360 MTB 24T 3 NOISE REDUCING PADS
10	V2372901	KIT 3 ID360 MTB SPRINGS
11	V3740101	XD MTB Freewheel Body ID360
11	V3990101	MicroSpline MTB Freewheel Body ID360
11	V3780101	HG9 Alloy MTB Freewheel Body ID360
12	V2373001	KIT ADJUST. SYSTEM QRM AUTO ID360 for 17x30x7 bearing
13	N/A	NABENKÖRPER
14	V2372201	KIT ID360 148 D6T AXLE WITH CLIP

OPTIONS

8	V2372801	KIT ID360 2x40 TEETH RATCHETS + MTB SPRING + GREASE + PAD
---	----------	---

ADAPTERS

15	V2510701	ID360 EVO REAR AXLE ADAPTERS 12x142mm DCL & D6T
	V2510801	ID360 EVO REAR AXLE ADAPTERS 9x135mm DCL & D6T

MAVIC Crossmax XL 27

2021
REAR

GELIEFERT MIT

UST valve and accessories (129 838 01)	
Multifonction adjustment wrench (delivered with rear wheel) (325 423 01)	
2 replacement spokes with each wheel	
Fore adjustment wrench	

COMPATIBILITY

Freewheel: Shimano HG9, XD or Micro Spline	
Rear axle: 12x148 Boost thru axle	
Front axle: 15x110 Boost thru axle	

Specifications

FELGEN

- **Material** : Mactal
- **Material** : S6000 Aluminum
- **Tire** : UST Tubeless and tubetype
- **Internal width** : 30 mm

Black Shield treatment (protects your rim against impacts and scratches)

- **ETRTO size 29"** : 622x30TC

Asymmetrical rim design

- **ETRTO size 27.5"** : 584x30TC

Fore
SUP

SPEICHEN

- **Material** : steel
- **Shape** : straight pull, flat, double butted
- **Count** : 24 front and rear
- **Lacing** : front and rear crossed 2, contactless

RADNABE

Hub available with 6-bolt or center lock (R) brake rotors

Infinity Hub
Instant Drive 360

VERSIONS

- **Disc standard** : 6 Bolts or Center Lock (R)
- **Hub width** : Boost only (front 110, rear 148)
- **Freewheel** : SRAM XD, Shimano HG9, Shimano Micro-Spline
- **Diameter** : 27,5" and 29"

RADGEWICHTE

Weight Rear 27.5": 980
Weight Rear 29": 1030