

# MAVIC ALLROAD S DISC

2021  
REAR

ASTM CATEGORY 2 : road and offroad with jumps less than 15cm

For a longer longevity of the wheel, Mavic recommends that the total weight supported by the wheels doesn't exceed 120kg, bike included

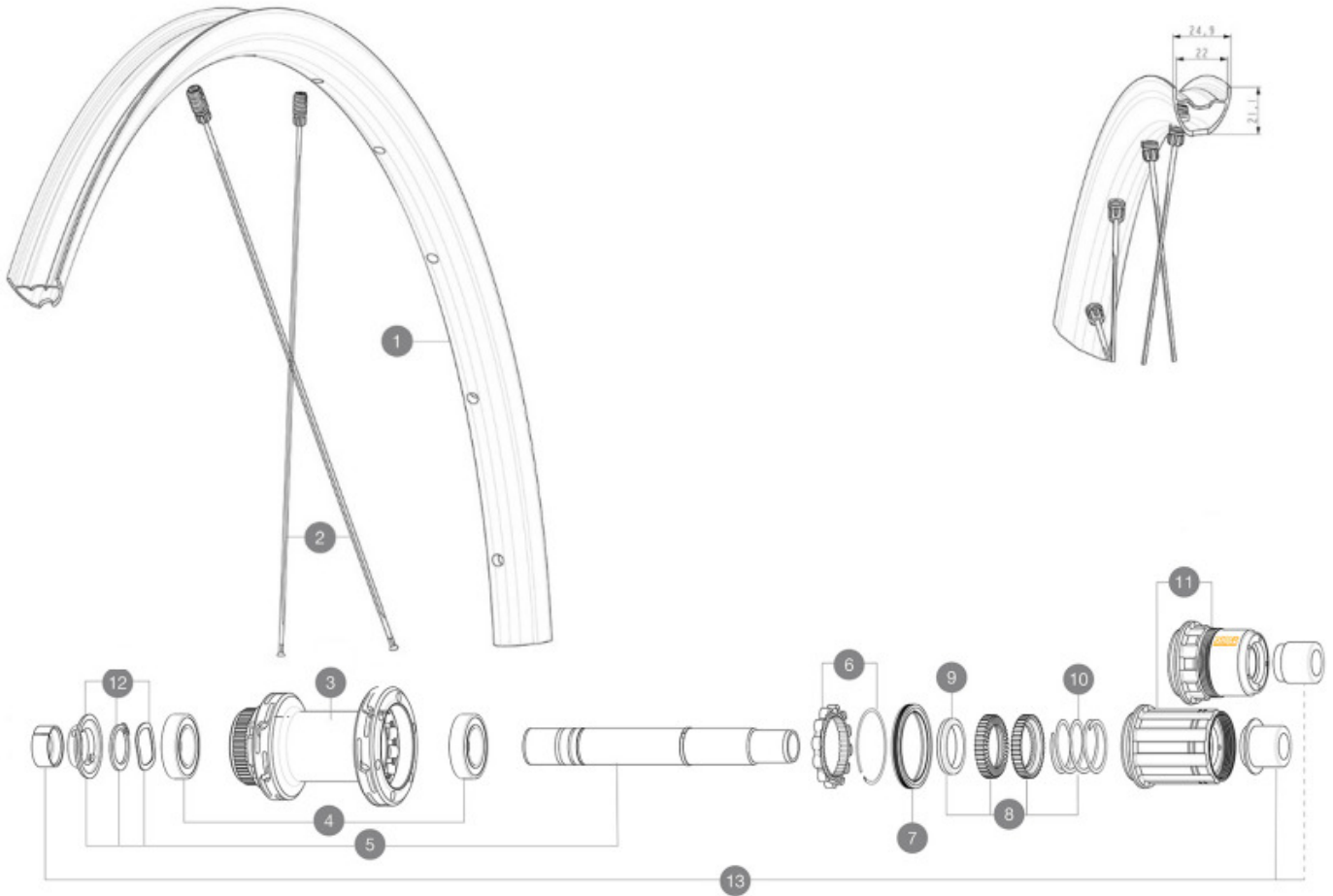
Recommended tyre sizes: 28 to 64 mm (1.1" to 2.5")

Max. Pressure: see indication on wheel and tyre. If they differ, use the lowest of the 2

Maximum tyre pressure: 4.6bar/67PSI with a 28mm tyre - 32.7bar/39PSI with a 64mm tyre

## REFERENZE RUOTE

R36751 ALLROAD S CL 700 12X142 M11 R38891 ALLROAD S CL 700 12X142 XDR



## RIMS



&NBSP::

- |   |           |  |
|---|-----------|--|
| 1 | V00097531 | Kit Front/Rear rim Allroad S 23                |
| 1 | V4092115  | Kit Front/Rear rim Allroad S while stock lasts |

## SPOKES

- |   |          |   |
|---|----------|---|
| 2 | V4162601 | Kit 12 Front/Rear Allroad S flat spoke 298 M7/7 |
|---|----------|---|

## HUB SHELLS

- |    |           |   |
|----|-----------|---|
| 3  | N/A       | CORPO MOZZO   |
| 3  | N/A       | CORPO MOZZO   |
| 4  | M40076    | HUB BEARINGS 17x30x7 6903 x 2                         |
| 5  | V2373401  | KIT ID360 135/142 DCL L1 AXLE WITH CLIP               |
| 6  | V2252701  | KIT ID360 INSERT SHAPED EAR LOBE > 2017               |
| 7  | V00063631 | Kit ID360 seal version 2 (larger)                     |
| 8  | V2251701  | ID360 2 RATCHETS + SPRING + GREASE                    |
| 9  | V2500501  | Kit 3 ID360 pad for noise reduction                   |
| 10 | V2251801  | KIT 3 ID360 ROAD SPRINGS                              |
| 11 | V3430101  | HG11 Freewheel Body ID360                             |
| 11 | V2580101  | FREEHUB BODY XD Road ID360                            |
| 12 | V2373001  | KIT ADJUST. SYSTEM QRM AUTO ID360 for 17x30x7 bearing |

## OPTIONS

- |          |   |
|----------|---|
| V2510801 | ID360 EVO REAR AXLE ADAPTERS 9x135mm DCL & D6T  |
| V2510901 | ID360 EVO REAR AXLE ADAPTERS 12x135mm DCL & D6T |

## ADAPTERS

- |    |          |                                    |
|----|----------|------------------------------------|
| 13 | V3811001 | KIT ROAD ID360 RR CL ENDCAP (12MM) |
|----|----------|------------------------------------|

# MAVIC ALLROAD S DISC

## VENDUTO CON

UST valve and accessories (129 838 01)	
UST valve and accessories (129 838 01)	
UST valve and accessories (129 838 01)	
Chiave di regolazione multifunzione (fornita con le ruote posteriori) (325 423 01)	
User guide	
User guide	
User guide	

## COMPATIBILITY

Freewheel: Shimano/Sram, convertible to Campagnolo and XD-R with optional driver bodies	
Freewheel: Shimano/Sram, convertible to Campagnolo and XD-R with optional driver bodies	
Freewheel: Shimano/Sram, convertible to Campagnolo and XD-R with optional driver bodies	
Perno anteriore: passante 12 mm, convertibile in sistema a bloccaggio rapido con adattatori. Convertibile in 15 mm con sostituzione completa del perno	
Perno anteriore: passante 12 mm, convertibile in sistema a bloccaggio rapido con adattatori. Convertibile in 15 mm con sostituzione completa del perno	
Perno anteriore: perno passante da 12 mm, facilmente convertibile in un sistema a bloccaggio rapido con adattatori opzionali. Convertibile in 15 mm co	
Rear axle: 12mm thru axle, convertible to Quick Release with optional adapters	
Rear axle: 12mm thru axle, convertible to Quick Release with optional adapters	
Rear axle: 12mm thru axle, convertible to Quick Release with optional adapters	

## Specifications

### CERCHIONI

- **Material** : Maxtal
  - **Height** : 22 mm
- Disc brake specific profile
- **Material** : Mxaltal
  - **Material** : Mxaltal
  - **Tire** : UST Tubeless and tubetype
  - **Height** : 22 mm
  - **Height** : 22 mm
  - **Internal width** : 22 mm
  - **ETRTO size** : 622x22TSS ROAD
- Hookless profile
- Disc brake specific profile
- Disc brake specific profile
- **Tire** : UST Tubeless and tubetype
  - **Tire** : UST Tubeless and tubetype
  - **Internal width** : 22 mm
  - **Internal width** : 22 mm
  - **ETRTO size** : 622x22TSS ROAD
  - **ETRTO size** : 622x22TSS ROAD
- Hookless profile
- Hookless profile
- Fore
- Fore
- Fore
- UST
- UST
- UST
- SUP
- SUP
- SUP

### RAGGI

- **Material** : steel
- **Material** : steel
- **Material** : steel
- **Material** : steel

### MOZZO

- **Front and rear bodies** : aluminum
  - **Front and rear bodies** : aluminum
  - **Front and rear bodies** : aluminum
  - **Axle material** : aluminum
  - **Axle material** : aluminum
  - **Axle material** : aluminum
- Infinity Hub
- **Front** : Quick release, 12x100 and 15x100 through axle compatible
  - **Front** : Quick release, 12x100 and 15x100 through axle compatible
  - **Front** : Quick release, 12x100 and 15x100 through axle compatible
  - **Rear** : Quick Release, 12x142 and 12x135 compatible
  - **Rear** : Quick Release, 12x142 and 12x135 compatible
  - **Rear** : Quick Release, 12x142 and 12x135 compatible
- Infinity Hub
- Infinity Hub
- Mozzo disponibile solo con rotori dei freni Center Lock
- Instant Drive 360
- Instant Drive 360
- Instant Drive 360
- QRM Auto
- QRM Auto
- QRM Auto

### VERSIONS

- **Disc standard** : Center Lock (R) only
- **Disc standard** : Center Lock (R) only
- **Disc standard** : Center Lock (R) only
- **Freewheel** : Shimano/Sram or XD-Road

### PESI RUOTE

935