

ASTM CATEGORY 3 : CROSS COUNTRY

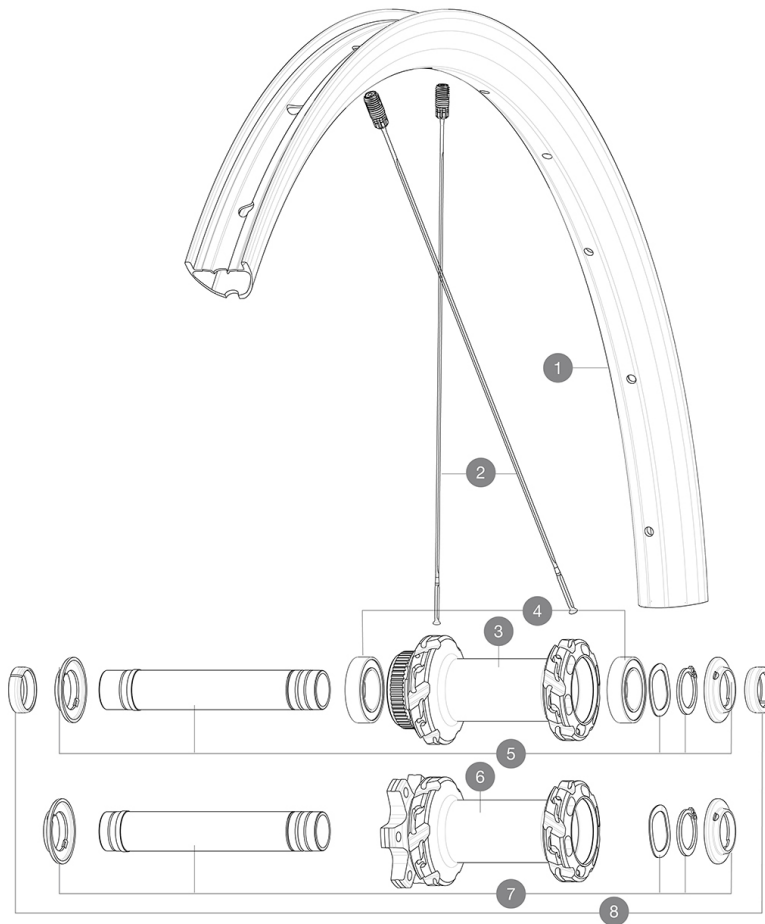
For a longer longevity of the wheel, Mavic recommends that the total weight supported by the wheels doesn't exceed 150kg, bike included

Recommended tyre sizes: 50mm to 76mm (2.0" to 3.0")

REFERENZEN RÄDER

F90432 Xmax Carbon SLR 29Ft Bst*

F91762 Xmax Carbon SLR 29DCL Ft Bst*



RIMS



&NBSP;:

1	V3765615	Kit Front/Rear rim Crossmax Carbon SLR 29" -while stock la
	V2700101	UST Tape 28mm for 25 to 27mm wide rims

SPOKES

2	V2388201	Kit 12 Front/Rear Crossmax Carbon SLR 29" flat spoke 289 +w
---	----------	-------------------------------------------------------------

HUB SHELLS

3	N/A	NABENKÖRPER
4	V2500901	KIT BEARINGS 18x30x7 + WAVED WASHER + CLIP
5	V2375601	Kit 110mm axle QRM auto MTB from 2019 DCL
6	N/A	NABENKÖRPER
7	V2372401	KIT 110mm AXLE QRM AUTO MTB > 2019

OPTIONS

V2374401	TORQUE CAPS 15*31 Adapter MTB QRM Auto > 2019 Frt HUB
----------	-------------------------------------------------------

ADAPTERS

8	V2372501	15mm MTB Axle Cap QRM Auto From 2019
	99694101	2 REDUCERS 15/9mm

GELIEFERT MIT

UST valve and accessories (129 838 01)	
Pre-installed tubeless rim tape	
Multifonction adjustment wrench (delivered with rear wheel) (325 423 01)	
2 replacement spokes with each wheel	

COMPATIBILITY

Front axle: 15x110 Boost thru axle	
Freewheel: Shimano HG9, XD or Micro Spline	
Rear axle: 12x148 Boost thru axle	

Specifications**FELGEN**

- **Material** : 100% carbon fiber
 - **Drilling** : traditional
 - **Internal width** : 26 mm
 - **ETRTO size 29"** : 622x26TSS
- Hookless profile
Asymmetrical rim design
UST Tubeless Ready

SPEICHEN

- **Material** : steel
- **Shape** : straight pull, flat, double butted
- **Nipples** : aluminum, ABS
- **Count** : 24 front and rear
- **Lacing** : front and rear crossed 2, contactless

RADNABE

Hub available with 6-bolt or center lock (R) brake rotors

- **Axles** : Front 15X110 Boost ; Rear 12X148 Boost
- Infinity Hub
24 teeth ratchet
Instant Drive 360
QRM Auto

VERSIONS

- **Disc standard** : 6 Bolts or Center Lock (R)
- **Hub width** : Boost only (front 110, rear 148)
- **Freewheel** : SRAM XD, Shimano HG9, Shimano Micro-Spline

RADGEWICHTE

720