

ASTM CATEGORY 4 : ENDURO AND TRAIL RIDING

For a longer longevity of the wheel, Mavic recommends that the total weight supported by the wheels doesn't exceed 150kg, bike included

Recommended tyre sizes: 60mm to 76mm (2.35" to 3.0")

Maximum tyre pressure: 2.95bar/43PSI with a 52mm tyre - 1.55bar/22PSI with a 125mm tyre

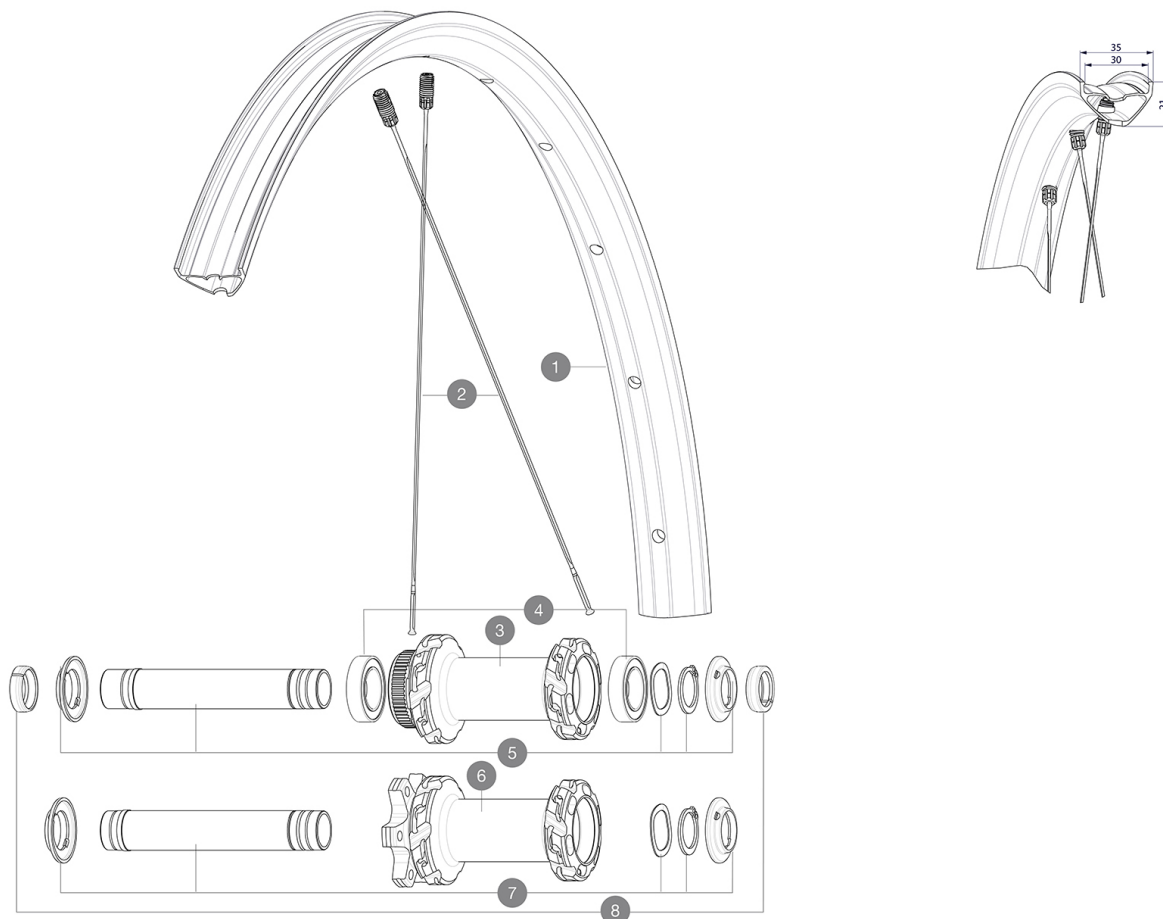
Mindestgröße des Reifens: Breite 52mm - max. Druck 2.95Bar/43PSI

Non-Boost : 12 to 9mm rear adapter for quick release (V2510801) - Delivered with the wheel

REFERENZEN RÄDER

F90512 XMAX XL INT 29 BST

F91982 XMAX XL CL 29 BST



RIMS



&NBSP;:

1	V3766015	Kit Front/Rear rim Crossmax XL 29'' MY21
---	----------	--

SPOKES

2	V2388301	Kit 12 Front/Rear Crossmax SL/SLS/XL/XLS 29'' butted spoke 2
---	----------	--

HUB SHELLS

3	N/A	NABENKÖRPER
4	V2500901	KIT BEARINGS 18x30x7 + WAVED WASHER + CLIP
5	V2375601	Kit 110mm axle QRM auto MTB from 2019 DCL
6	N/A	NABENKÖRPER
7	V2372401	KIT 110mm AXLE QRM AUTO MTB > 2019

OPTIONS

V2374401	TORQUE CAPS 15*31 Adapter MTB QRM Auto > 2019 Frt HUB
----------	---

ADAPTERS

8	V2372501	15mm MTB Axle Cap QRM Auto From 2019
	99694101	2 REDUCERS 15/9mm

GELIEFERT MIT

Bedienungsanleitung	
2 replacement spokes with each wheel	
UST valve and accessories (129 838 01)	
UST valve and accessories (129 838 01)	
UST valve and accessories (129 838 01)	
UST valve and accessories (129 838 01)	
Multifunction adjustment wrench (delivered with rear wheel) (325 423 01)	
Multifunction adjustment wrench (delivered with rear wheel) (325 423 01)	
Multifunction adjustment wrench (delivered with rear wheel) (325 423 01)	
Multifunction adjustment wrench (delivered with rear wheel) (325 423 01)	
Bedienungsanleitung	
UST valve and accessories (129 838 01)	
2 replacement spokes with each wheel	
Multifunction adjustment wrench (delivered with rear wheel) (325 423 01)	
Fore adjustment wrench	
Fore adjustment wrench	
2 replacement spokes with each wheel	
2 replacement spokes with each wheel	

COMPATIBILITY

Freewheel: Shimano HG9, XD or Micro Spline	
Front axle: 15x110 Boost thru axle	
Rear axle: 12x148 Boost thru axle	
Freilaufkörper: SHIMANO HG MTB Stahl-konverter (Kit V3790101 separat erhältlich)	
Freilaufkörper: SHIMANO HG MTB Stahl-konverter (Kit V3790101 separat erhältlich)	
Boost & Non-Boost: VR-Adapter 20>15 mm/Steckachse (12982801)	
VR-Achse: nur f $\frac{1}{4}$ r Schraubmuttern (im Lieferumfang enthalten), M10x1-Gewinde	
Adapter Hinterachse: 12x148 umwandelbar in 9x141 (Kit V2510801 separat erhältlich)	
Adapter Hinterachse: 12x148 umwandelbar in 9x141 (Kit V2510801 separat erhältlich)	
Freewheel: Shimano HG9, XD or Micro Spline	
Freewheel: Shimano HG9, XD or Micro Spline	
Rear axle: 12x148 Boost thru axle	
Rear axle: 12x148 Boost thru axle	
Front axle: 15x110 Boost thru axle	
Front axle: 15x110 Boost thru axle	
Front axle: convertible from 15mm thru axle to Quick Release with adapters (delivered with non-boost wheel)	
VR-Achse: nur f $\frac{1}{4}$ r Schraubmuttern (im Lieferumfang enthalten), M10x1-Gewinde	