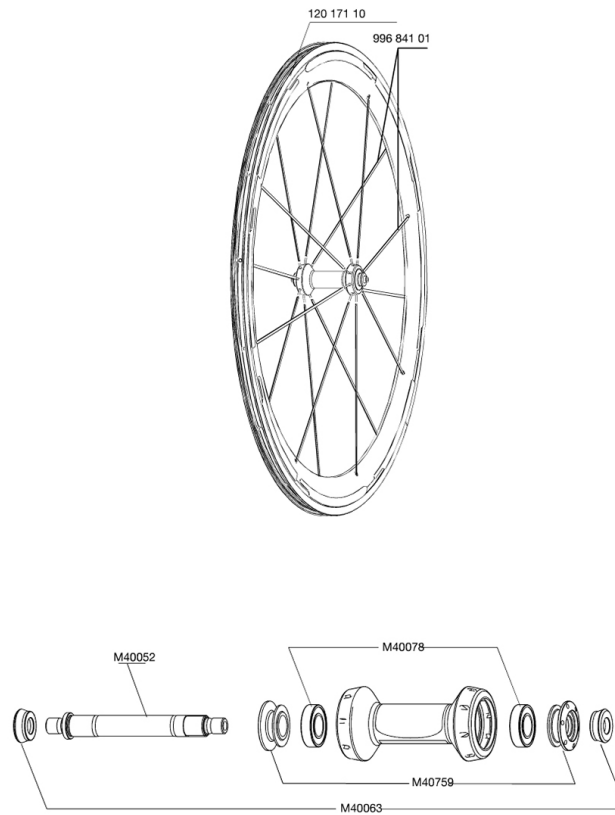


REFERENCES WHEELS

118093	COSMIC CARBONE SL011 FRT	118097	COSMIC CARBONE SL011 ED11PR
118096	COSMIC CARBONE SL011 M10 PR		



RIMS



&NBSP;;

12017110	KIT FRONT COSMIC CARBONE SL 11 RIM
----------	------------------------------------

SPOKES

99684101	KIT 8 FRONT CARBONE SL 09 SPOKE 289mm
----------	---------------------------------------

HUB SHELLS

M40063	2 FRONT AXLE FORK SUPPORT
M40052	FRONT HUB AXLE
M40759	ADJUSTING BEARING NUT + FRONT CAP
M40078	FRONT HUB BEARINGS 6901 x 2

MAVIC *Cosmic Carbone SL***DELIVERED WITH**

BR301 quick releases	
Rim tape	
Valve extender	
Multifunction adjustment wrench	
User guide	

Specifications**RIMS**

- **Material** : Maxtal
- **Material** : Maxtal and 12K carbon fiber
- **Color** : carbon
- **Height** : 52 mm
- **Joint** : SUP
- **Drilling** : traditional
- **Eyelet** : single
- **Brake track** : UB Control
- **Weight reduction** : ISM
- **Valve hole diameter** : 6.5 mm
- **Tyre** : clincher
- **ETRTO size** : 622x13C
- **Recommended tyre sizes** : 19 to 28 mm

SPOKES

- **Material** : steel
- **Shape** : straight pull, bladed
- **Color** : black
- **Nipples** : brass, ABS
- **Count** : front 16, rear 20
- **Lacing** : radial front and rear non-drive side, crossed 2 rear drive side

WHEEL HUB

- **Front and rear bodies** : aluminum
- **Color** : black
- **Front and rear axle material** : aluminum QRM+
FTS-L steel

WHEEL WEIGHTS

Wheel weight 780