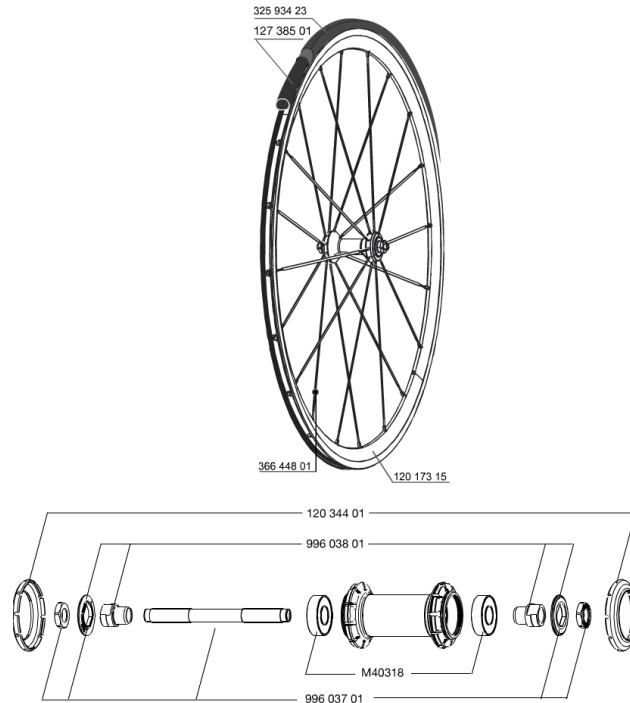


**REFERENCES WHEELS**

328205 COSMIC ELITE S FRT WTS



**RIMS**



&NBSP;:

|          |          |  |
|----------|----------|--|
| <b>1</b> | 12017315 | KIT FRONT/REAR COSMIC ELITE RIM - while stock last |
|----------|----------|--|

**SPOKES**

|          |          |  |
|----------|----------|--|
| <b>2</b> | 36644801 | KIT 10 FT/NDS COSMIC ELITE S / UST BLK SPK 276mm |
|----------|----------|--|

**HUB SHELLS**

|          |          |  |
|----------|----------|--|
| <b>3</b> | N/A      | HUB BODY                                 |
| <b>4</b> | M40318   | KIT 2 HUB BEARINGS 6001                  |
| <b>5</b> | 99603801 | SHORT EXPENSIBLE BEARING SUPPORTS > 2008 |
| <b>6</b> | 99603701 | FRONT AXLE QRM ROAD 2008                 |
| <b>7</b> | 12034401 | KIT 3 HUB CAPS AERO 10 SLOTS BLACK       |

**MAVIC** *Cosmic Elite S***DELIVERED WITH**

|                      |  |
|----------------------|--|
| BR101 quick releases |  |
| Rim tape             |  |
| User guide           |  |

**Specifications****RIMS**

- **Material** : 6106 Aluminum
- **Height** : 30 mm
- **Joint** : SUP
- **Drilling** : traditional
- **Brake track** : UB Control
- **Valve hole diameter** : 6.5 mm
- **Tyre** : clincher
- **ETRTO size** : 622x15C
- **Recommended tyre sizes** : 19 to 32 mm

**SPOKES**

- **Material** : steel
- **Shape** : straight pull, bladed
- **Nipples** : brass, ABS
- **Count** : 20 front and rear
- **Lacing** : radial front and rear non-drive side, crossed 2 rear drive side

**WHEEL HUB**

- **Axle material** : steel
- Sealed cartridge bearings
- **Freewheel** : FTS-L steel

**WHEEL WEIGHTS**

Wheel weight 815