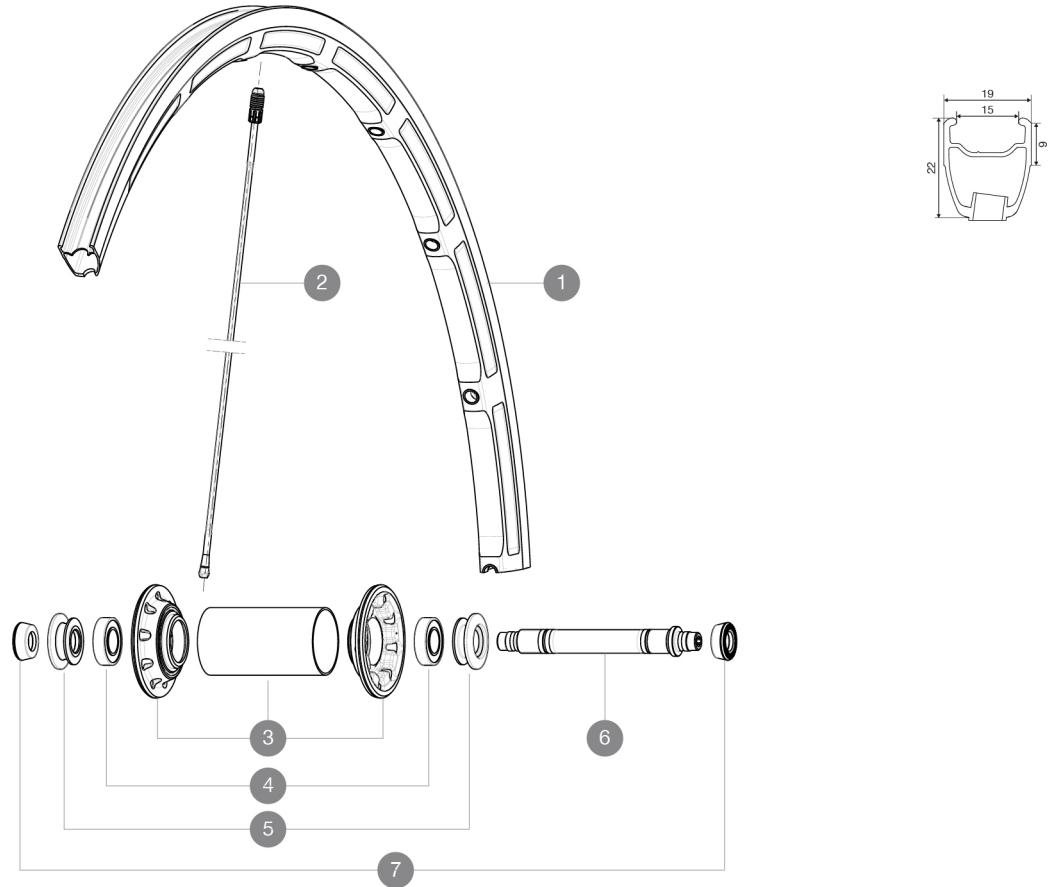


REFERENCES WHEELS

F02701 Ksyrium SLE Ft



RIMS



VALVE HOLE \varnothing (MM): 6.5 :

| | | |
|---|----------|---------------------------|
| 1 | V2290310 | KIT FRONT RIM KSYRIUM SLE |
|---|----------|---------------------------|

SPOKES

| | | |
|---|----------|---|
| 2 | 33000301 | KIT 10 FT KSYRIUM SLS C/T BLK SPK 283,5mm |
|---|----------|---|

HUB SHELLS

| | | |
|---|--------|-----------------------------------|
| 3 | N/A | HUB BODY |
| 4 | M40078 | FRONT HUB BEARINGS 6901 x 2 |
| 5 | M40759 | ADJUSTING BEARING NUT + FRONT CAP |
| 6 | M40052 | FRONT HUB AXLE |
| 7 | M40063 | 2 FRONT AXLE FORK SUPPORT |

MAVIC *Ksyrium SLE***DELIVERED WITH**

| | |
|---------------------------------|--|
| BR601 quick releases | |
| Exalith brake pads | |
| Computer magnet (front wheel) | |
| Multifonction adjustment wrench | |
| User guide | |

Specifications**RIMS**

- **Material** : Maxtal
- **Height** : front 22 mm, rear 25 mm asymmetrical
- **Joint** : SUP
- **Drilling** : Fore
- **Brake track** : Exalith 2
- **Weight reduction** : ISM 3D
- **Valve hole diameter** : 6.5 mm
- **Tyre** : clincher
- **ETRTO size** : 622x15C
- **Recommended tyre sizes** : 19 to 32 mm

SPOKES

- **Material** : Zicral
- **Shape** : straight pull, bladed, front double butted
- **Nipples** : Fore integrated aluminum
- **Count** : front 18, rear 20
- **Lacing** : front radial, rear Isopulse

WHEEL HUB

- **Front body** : carbon with aluminum flanges
 - **Rear body** : aluminum
 - **Axle material** : aluminum
- Adjustable sealed cartridge bearings
- **Freewheel** : FTS-L steel

WHEEL WEIGHTS

Wheel weight 605