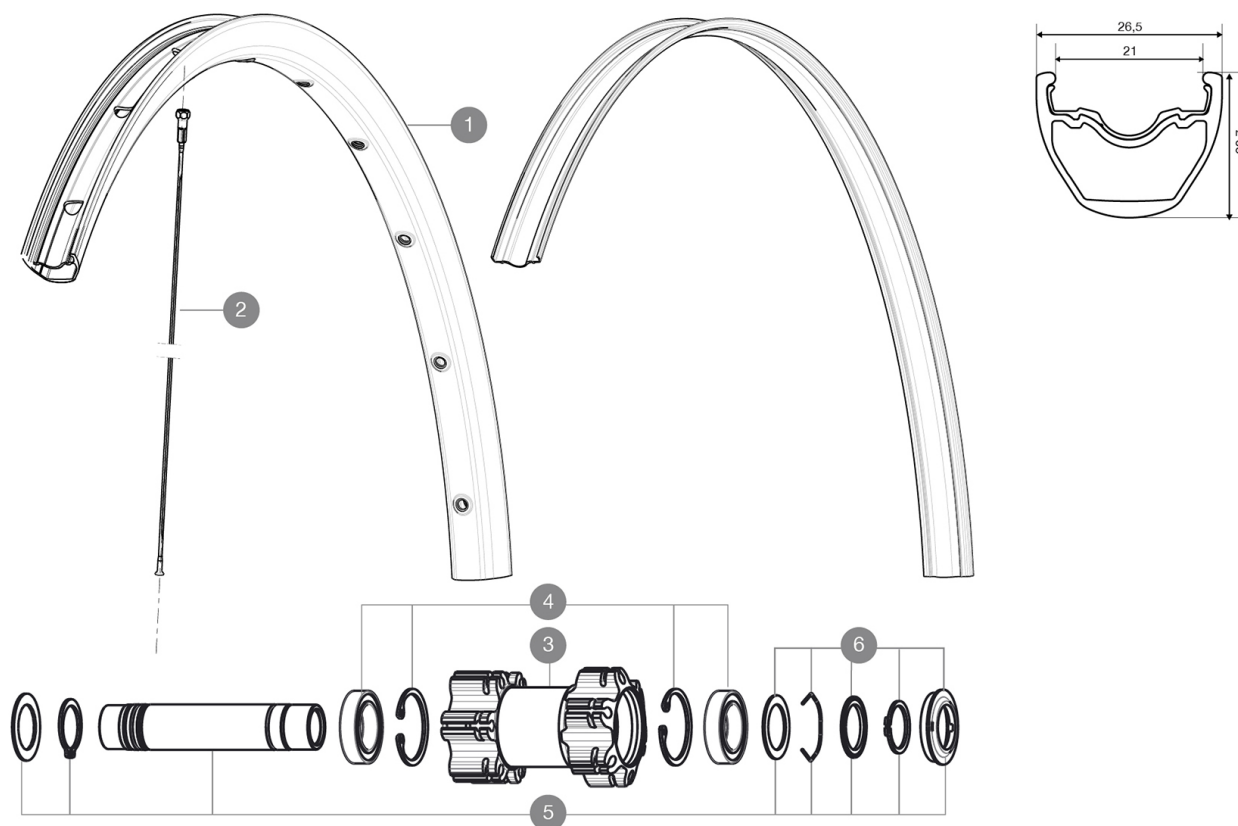


ASTM CATEGORY 3 : offroad with jumps less than 61cm
Recommended weight limit : 120kg

REFERENCES WHEELS

F36001 XRideUST Pulse27.5FWTS



RIMS



VALVE HOLE (MM): 6,5 :

1	V2314215	"KIT FRONT/REAR RIM CROSSRIDE TUBELESS 27,5""
	V2180101	UST RIM STRIP 27.5x21c

SPOKES

2	V2381801	KIT 12 FT/NDS XRIE LIGHT 27,5" SPK 277mm
---	----------	--

HUB SHELLS

3	N/A	HUB BODY
4	99688501	BEARING KIT 9/12/15 D6T HUB 20x32x7 6804
5	V2371101	KIT FRONT QRM AXLE 100mm/BOOST 110mm
5	V2370101	KIT FRONT AXLE 15MM CROSSONE/-RIDE/-ROC - while stock last
6	V2370301	KIT FRONT AUTO ADJUSTING PLAY 15mm AXLE

MAVIC Crossride Tubeless Pulse WTS27.5

DELIVERED WITH

1 bottle of Mavic Sealant	
Tubeless rim tape	
UST valve and accessories	
Rear 12x142mm adapters	
Valve reducer	
User guide	

Specifications

RIMS

- **Material** : S6000 Aluminum
- **Joint** : sleeved
- **Drilling** : traditional with H2 reinforcement
Disc brake specific profile
- **Valve hole diameter** : 8,5 mm with pop off reducer
- **Tyre** : UST Tubeless and tubetype
- **Internal width** : 21 mm
- **ETRTO size 26"** : 559x21C
- **ETRTO size 27.5"** : 584x21C
- **ETRTO size 29"** : 622x21C
- **ETRTO recommended tyre sizes** : 35mm to 69mm (1.4" to 2.7")

SPOKES

- **Material** : steel
- **Shape** : straight pull, bladed, double butted
- **Nipples** : brass, ABS
- **Count** : 24 front and rear
- **Lacing** : front and rear crossed 2

WHEEL HUB

- **Front and rear bodies** : aluminum
 - **Axle material** : aluminum
- Sealed cartridge bearings
- **Freewheel** : TS-2 alloy
- Shimano 11 speeds compatible
Sram XD Compatible (XX1-X01) with optionnal kit

WHEEL WEIGHTS

Wheel weight
Weight Front 27.5": 875
Weight Front 29": 920