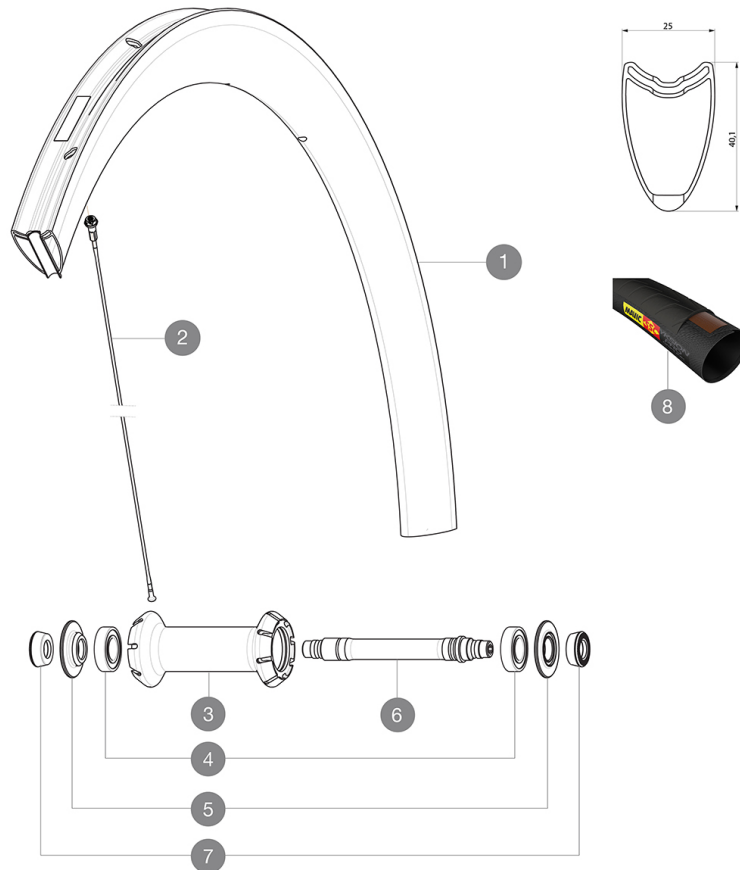


**MAVIC** *Cosmic Pro Carbon SL T*

ASTM CATEGORY 2 : road and offroad with jumps less than 15cm  
 Recommended weight limit : 120kg  
 Recommended tire sizes: 25 to 32 mm  
 Max. Pressure: 23mm 8.7 bars - 125 psi, 25/28mm 7.7 bars - 110 psi  
 Max. Pressure: 25mm 7.7 bars - 110 PSI

**REFERENCES WHEELS**

F70841 Cosmic Pro Car SL T Ft

**RIMS**

&amp;NBSP;:

|   |          |                                            |
|---|----------|--------------------------------------------|
| 1 | V2406510 | KIT FRONT RIM COSMIC PRO CARBON SL TUBULAR |
|---|----------|--------------------------------------------|

**SPOKES**

|   |          |                                                              |
|---|----------|--------------------------------------------------------------|
| 2 | V3662201 | KIT 12 FRT COSMIC PRO CARB SL T/C/UST & NDS CPC SL BUTTED AE |
| 2 | V2273901 | KIT 9 FT BTD AERO SPK 271mm/ALU NIPPLE/WASHER - while stock  |

**HUB SHELLS**

|   |          |                                         |
|---|----------|-----------------------------------------|
| 3 | N/A      | HUB BODY                                |
| 4 | M40078   | FRONT HUB BEARINGS 6901 x 2             |
| 5 | V2252501 | FRONT SETTING NUT & DUST PROTECTOR MY16 |
| 6 | 30870001 | FRONT AXLE ROAD RIM BRAKING QRM +       |

**TYRES**





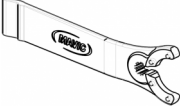

|   |          |                        |
|---|----------|------------------------|
| 8 | 37804425 | Yksion Pro GripTub SSC |
|---|----------|------------------------|

**ADAPTERS**

|   |          |                                                         |
|---|----------|---------------------------------------------------------|
| 7 | 35117301 | FT/RR FORK REST R-SYS/CC ULTIMATE > 2013/KSY PRO CARB T |
|---|----------|---------------------------------------------------------|

# MAVIC Cosmic Pro Carbon SL T

## DELIVERED WITH

|                                                                                 |                                                                                   |
|---------------------------------------------------------------------------------|-----------------------------------------------------------------------------------|
| BR601 quick releases<br>(V24 501 01 frt, V24 502 01 rear)<br>1                  |  |
| BR601 quick releases<br>(V24 501 01 frt, V24 502 01 rear)<br>1                  |  |
| Carbon brake pads<br>(V24 603 01 Shimano/Sram, V24 604 01 Campagnolo)<br>1 pair |  |
| Carbon brake pads<br>(V24 603 01 Shimano/Sram, V24 604 01 Campagnolo)<br>1 pair |  |
| Multifunction adjustment wrench<br>(325 423 01)<br>1                            |  |
| Multifunction adjustment wrench<br>(325 423 01)<br>1                            |  |
| User guide                                                                      |                                                                                   |
| User guide                                                                      |                                                                                   |

## COMPATIBILITY

|                                                                                         |  |
|-----------------------------------------------------------------------------------------|--|
| Freewheel: Shimano/Sram or Campagnolo, convertible to XD-R with optional driver body    |  |
| Freewheel: Shimano/Sram, convertible to Campagnolo and XD-R with optional driver bodies |  |
| Front axle: Quick Release only                                                          |  |
| Front axle: Quick Release only                                                          |  |
| Rear axle: Quick Release only                                                           |  |
| Rear axle: Quick Release only                                                           |  |

## Specifications

### RIMS

- **Material** : 3K carbon fibers
- **Material** : 3K carbon fibers
- **Height** : 40 mm
- **Height** : 40 mm
- **Drilling** : traditional
- **Drilling** : traditional
- **Brake track** : carbon with TgMAX technology
- **Brake track** : carbon with TgMAX technology
- **Valve hole diameter** : 6.5 mm
- **Valve hole diameter** : 6.5 mm
- **Tyre** : tubular
- **ETRTO size** : 28" tubular
- **ETRTO size** : 28" tubular

### SPOKES

- **Material** : steel
- **Material** : steel
- **Shape** : straight pull, bladed, double butted
- **Shape** : straight pull, aero, double butted
- **Nipples** : aluminum, ABS
- **Nipples** : aluminum, ABS
- **Count** : front 16, rear 20
- **Count** : front 16, rear 20
- **Lacing** : front radial, rear Isopulse
- **Lacing** : front radial, rear Isopulse

### WHEEL HUB

- **Front and rear bodies** : aluminum
- **Front and rear bodies** : aluminum
- **Axle material** : aluminum
- **Axle material** : aluminum
- **Front bearings** : adjustable sealed cartridge bearings (QRM+), Rear bearings auto adjust sealed cartridge bearings (QRM Auto)
- **Front bearings** : adjustable sealed cartridge bearings (QRM+), Rear bearings auto adjust sealed cartridge bearings (QRM Auto)
- **Sealed cartridge bearings**
- **Freewheel** : Instant Drive 360
- **Freewheel** : Instant Drive 360

### VERSIONS

- **Color** : Black only
- **Color** : Black only

### WHEEL WEIGHTS

Wheel weight 620